



Bottom Bracket Bearing Cup Installation

Hi there. Thanks for buying a Surly bottom bracket bearing set. These bearings are designed to be used with Surly cranks and other cranks of similar design, in standard English-threaded bottom bracket shells. If you do not have the tools or know-how to correctly install your equipment, we strongly advise you to have it installed by a competent professional bicycle mechanic, and check your equipment from time to time. Improper assembly or maintenance can result in serious injury to you or your bike.

⚠WARNING: Cycling can be dangerous. Bicycle products should be installed and serviced by a professional mechanic. Never modify your bicycle or accessories. Read and follow all product instructions and warnings including information on the manufacturer's website. Inspect your bicycle before every ride. Always wear a helmet.

NOTE: Surly bottom bracket cups are compatible with English threaded (1.37" x 24tpi) bottom bracket shells. **(See Figure 1)**

Surly does not recommend these bearings with mountain cranks on 68mm BB shells, as the required number of spacers will reduce cup thread/shell contact.

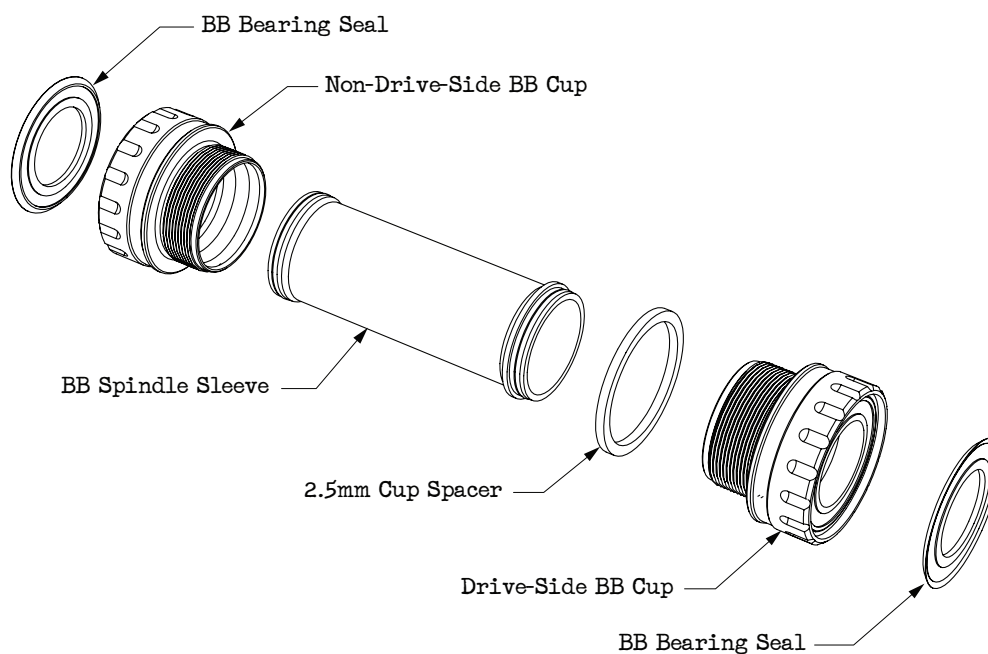
For additional safety information about all Surly products visit: www.surlybikes.com/safety

So there you go. Learn it. Know it. Live it.

What's in the Kit

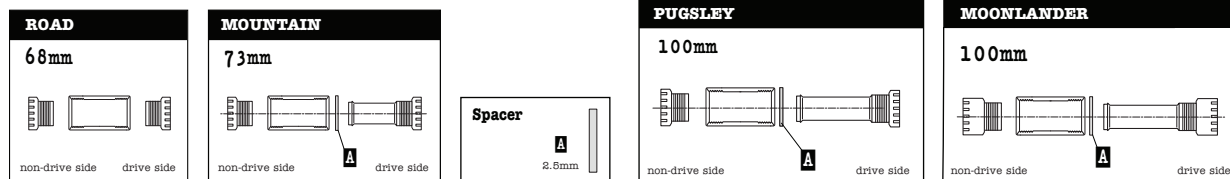
Your kit should include the following:

- (1) Drive-side cup and bearing
- (1) Non-drive-side cup and bearing
- (2) Bearings seals
- (1) 2.5mm spacer
- (1) Spindle sleeve



Installation

FIGURE 1



Part#	Shell (mm)	Use	Cup	Sleeve	Spacer
CR8623	68	Road	Standard	None	None
—	68	Mountain	Option Not Recommended		None
CR8627	73	Mountain	Standard	Narrow	1 Drive side
CR8628	100	Pugsley	Standard	Wide	1 Drive side
CR8629	100	Moonlander	ML Specific	Wide	1 Drive side

1. Determine the width of the frame's bottom bracket shell and install the spacer if needed onto the threaded portion of the drive-side cup as indicated by the crank instructions. See **Figure 1** for spacer placement using Surly cranks. One 2.5mm spacer is included. When using BB cup mounted components consult that component's instructions for correct spacer placement.
2. Apply appropriate frame dressing (i.e. grease, anti-seize compound, etc.) to the threads of each bearing cup and the threads of the BB shell.
3. Thread in drive-side cup by hand as far as it will go, counter-clockwise. Slide one bearing seal onto spindle with the orange side facing outboard and install drive side crank arm into the bearing cup installed in bottom bracket shell. Slide sleeve over spindle.
4. Slide non-drive side cup over spindle and thread into shell by hand as far as it will go. Non-drive-side cups thread in clockwise.
5. Complete installation with an appropriate bottom bracket cup tool and tighten each cup to 40 Nm (29 lb/ft). Slide second bearing seal over spindle. Wipe away excess grease. You are now ready to install the rest of your crank according to its instructions.

Limited Warranty

This SURLY product is warranted against defects in materials and workmanship for one year from the date of retail purchase of the product, subject to the limitations detailed below. Save your dated receipt for proof of purchase.

This warranty does NOT cover the following:

- Damage due to improper assembly or follow-up maintenance or lack of skill, competence or experience of the user or assembler
- Products that have been modified, neglected, used in competition or for commercial purposes, misused or abused, involved in accidents or anything other than normal use
- Installation of components, parts or accessories not originally intended for or compatible with bicycle as sold
- Damage or deterioration to the paint, surface finish, aesthetics or appearance of the product
- Normal wear and tear
- Labor required to remove and/or refit and re-adjust the product within the bicycle assembly

This limited warranty is expressly limited to the repair or replacement of a defective product, at the option of SURLY, and is the sole remedy of the warranty. This limited warranty applies only to the original purchaser of the SURLY product and is not transferable. This warranty applies only to products purchased through an authorized dealer or distributor. In no event shall SURLY be liable for any loss, inconvenience or damage, whether direct, incidental, consequential, or otherwise resulting from breach of any express or implied warranty or condition, of merchantability, fitness for a particular purpose, or otherwise with respect to our products except as set forth herein.

This limited warranty gives the consumer specific legal rights, and those rights and other rights may vary from place to place. This limited warranty does not affect your statutory rights.

TO THE EXTENT NOT PROHIBITED BY LAW, THESE WARRANTIES ARE EXCLUSIVE AND THERE ARE NO OTHER EXPRESS OR IMPLIED WARRANTIES OR CONDITIONS INCLUDING WARRANTIES OR CONDITIONS OF MERCHANTABILITY AND FITNESS FOR A PARTICULAR PURPOSE.

Surly

6400 West 105th Street
Bloomington, MN 55438

The Watts Line: 877.743.3191

The Email: derby@surlybikes.com

The Web Address: www.surlybikes.com