

MDS Dropout Instructions

Hi there. Thanks for spending your hard-earned cash on this Surly product. Surly stuff is designed to be useful and durable. We're confident it will serve you well for years to come.

⚠WARNING: Cycling can be dangerous. Bicycle products should be installed and serviced by a professional mechanic. Never modify your bicycle or accessories. Read and follow all product instructions and warnings including information on the manufacturer's website. Inspect your bicycle before every ride. Always wear a helmet.

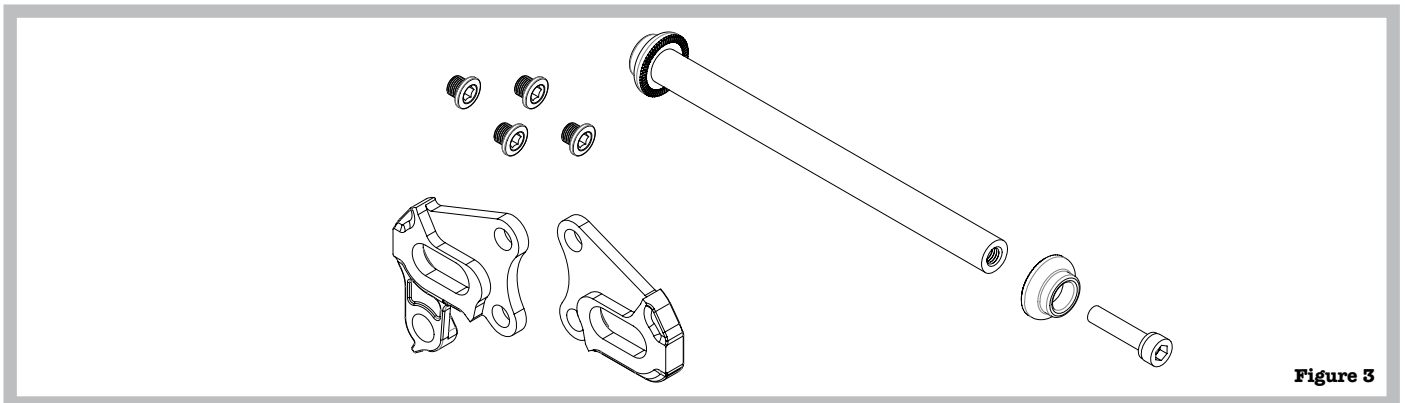
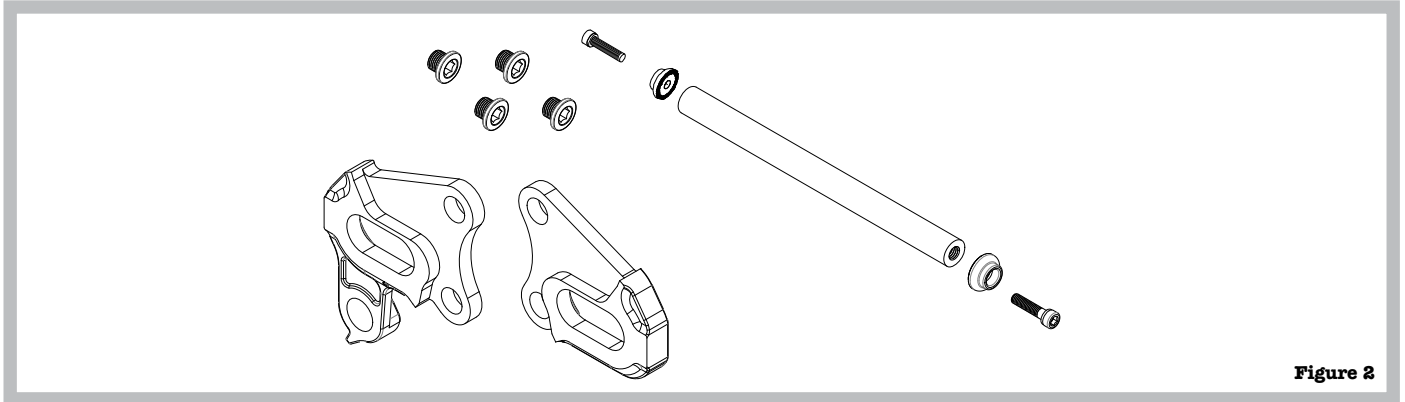
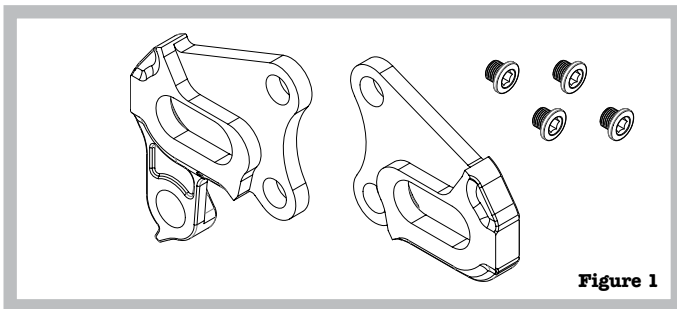
For additional safety information about all Surly products visit: surlybikes.com/safety

MDS Compatibility and Intended Use

The slotted 142 x 12mm MDS dropout chip is designed to be compatible with two different rear axle configurations.

1. 142 x 12mm slotted double bolt thru-axle* (hanger is compatible with SRAM or Shimano derailleurs) *axle included (Figure 2).
2. 142 x 12mm slotted single bolt thru-axle* (hanger is compatible with SRAM or Shimano derailleurs) *axle included (Figure 3).

Each configuration includes a drive and non-drive side dropout plate, or chip (Figure 1). All are easily installed or removed the two provided M8 bolts (stainless steel, length 6mm, thread .75mm) in the dropout.



Tools Required for Installation

- 5mm hex wrench
- Grease
- 6mm or 8mm hex wrench for 142 x 12mm single bolt thru-axle configuration

Installation of the MDS Dropout

To install the dropout chips that suit your axle configuration, slide the dropout chip in to the frame and secure it with the two chainring bolts (see Figure 5). Make sure to apply grease to the threads and all metal to metal mating surfaces. Torque each M8 bolt to 9 N-m.



Figure 4

Axle assembly for 142 x 12mm double bolt thru-axle (Figure 2)

It will take some extra attention while installing your axle to ensure that everything has engaged properly. Follow the instructions below to make sure everything is setup properly:

1. Hold rear wheel in the dropouts and slide the 12mm thru-axle through the assembly.
2. Make sure that axle is engaged in the dropout on both ends of the axle. If your axle bolt and washer are already installed on one end of the axle, make sure to push the axle all the way through the assembly so that it engages with the dropout hole on the opposite side.
3. Apply grease to the threads of your axle bolts and tighten them to 13 N-m.
4. Check and ensure that wheel is fully engaged and sitting straight in the dropouts before getting rad.

Axle assembly for 142 x 12mm single bolt thru-axle (figure 3)

1. Hold rear wheel in the dropouts and slide the 12mm thru-axle through the assembly.
2. Make sure that axle is engaged in the dropout.
3. Apply grease to the threads of your axle bolt and tighten it to 13 N-m.
4. Check and ensure that wheel is fully engaged and sitting straight in the dropouts before getting rad.

Ongoing Maintenance

Periodically remove and reinstall the attachment bolts for the MDS dropout chips, apply grease and check the proper torque to prevent any unwanted component fusion from moisture or offensive off season elements.

Limited Warranty

This Surly product is warranted against defects in materials and workmanship for one year from the date of retail purchase of the product, subject to the limitations detailed below. Save your dated receipt for proof of purchase.

This warranty does NOT cover the following:

- Damage due to improper assembly or follow-up maintenance or lack of skill, competence or experience of the user or assembler
- Products that have been modified, neglected, used in competition or for commercial purposes, misused or abused, involved in accidents or anything other than normal use
- Installation of components, parts or accessories not originally intended for or compatible with Surly product as sold
- Damage or deterioration to the paint, surface finish, aesthetics or appearance of the product
- Normal wear and tear
- Labor required to remove and/or refit and re-adjust the product within the bicycle assembly

This limited warranty is expressly limited to the repair or replacement of a defective product, at the option of Surly, and is the sole remedy of the warranty. This limited warranty applies only to the original purchaser of the Surly product and is not transferable. This warranty applies only to products purchased through an authorized dealer or distributor. In no event shall Surly be liable for any loss, inconvenience or damage, whether direct, incidental, consequential, or otherwise resulting from breach of any express or implied warranty or condition, of merchantability, fitness for a particular purpose, or otherwise with respect to our products except as set forth herein.

This limited warranty gives the consumer specific legal rights, and those rights and other rights may vary from place to place. This limited warranty does not affect your statutory rights.

TO THE EXTENT NOT PROHIBITED BY LAW, THESE WARRANTIES ARE EXCLUSIVE AND THERE ARE NO OTHER EXPRESS OR IMPLIED WARRANTIES OR CONDITIONS INCLUDING WARRANTIES OR CONDITIONS OF MERCHANTABILITY AND FITNESS FOR A PARTICULAR PURPOSE.

OTHER PRODUCTS:

Give us a call for a free catalog or visit our website to check out all our stuff—you won't be disappointed.

Surly

6400 West 105th Street
Bloomington, MN 55438

The Watts Line: 877.743.3191

The Email: derby@surlybikes.com

The Web Address: surlybikes.com