

Cette notice contient d'importantes informations sur la sécurité, les performances et l'entretien. Lisez-les et comprenez-les ainsi que les informations fournies par le fabricant de votre vélo avant d'utiliser le produit, et conservez-les pour référence ultérieure.

Owner's Manual Drive Unit | On-board computer | Display Mount | Remote Control | ConnectModule | Battery | Charger (20 mph)

Robert Bosch GmbH
72757 Reutlingen
Germany

www.bosch-ebike.com

0 275 U07 3SC (2023.03) T / 45



Este manual contiene información importante de seguridad, rendimiento y mantenimiento. Léalo y asegúrese de entenderlo junto con la información que le ha facilitado el fabricante de su bicicleta antes de usar el producto; guárdelo a modo de referencia.

en Original operating instructions
fr Notice d'utilisation d'origine
es Instrucciones de servicio originales

This manual contains important safety, performance and service information. Read and understand it along with the information provided to you by your bicycle manufacturer before using the product, and keep it for reference.

Drive Unit

BDU314Y
BDU332Y
BDU334Y
BDU336Y
BDU374Y
BDU376Y

On-board Computer

BHU3200
BHU3600
BHU3700

SmartphoneGrip

BSP3200

ConnectModule

BCM3100

Display Mount

BDS3210
BDS3250
BDS3620
BDS3630

Remote Control

BRC3100
BRC33YY
BRC3600
BRC3800

Battery

BBP324Y
BBP334Y
BBP335Y
BBP354Y
BBP355Y
BBP356Y
BBP357Y
BBP358Y
BBP362Y
BBP375Y
BBP376Y
BBP377Y

Charger

BPC3200 (NZ)
BPC3210 (USA)
BPC3400 (NZ)
BPC3410 (USA)

Display Cable

BCH3611

Table of contents

Introduction	2
About Warnings	2
General Warnings	2
Using Your Operator's Manual	3
Bosch Drive System Overview	4
Bicycle View (PowerTube)	4
Bicycle View (PowerPack Frame)	5
Bicycle View (PowerPack Rack)	6
Bicycle View (PowerMore)	7
Operating your Bosch Drive System	8
Getting Ready to Ride	8
Safe Start-up Procedure	10
Notes on cycling with the eBike system	11
Transport	12
Maintenance/Cleaning	12
Battery Recycling Program	14

Introduction

Thank You for Purchasing a Bosch Drive System Equipped Bicycle!

Your Bosch eBike Systems team appreciates having you as a customer and wishes you many years of safe and satisfied use of your bicycle.

About Warnings

This manual contains many **DANGER**, **WARNING**, and **CAUTION** indicators concerning the consequences of failure to use, assemble, maintain, store, inspect and dispose of a Bosch-equipped eBike in a safe manner.

- The combination of the safety alert symbol and the word **DANGER** indicates a hazardous situation that, if not avoided, will result in death or serious injury.

- The combination of the safety alert symbol and the word **WARNING** indicates a hazardous situation that, if not avoided, could result in death or serious injury.
- The combination of the safety alert symbol and the word **CAUTION** indicates a hazardous situation that, if not avoided, could result in minor or moderate injury.

General Warnings



Read all safety warnings and all instructions. Failure to follow the warnings and instructions may result in death or serious injury.

Save all safety warnings and instructions for future reference.

The term **eBike battery** used in these operating instructions refers to all original Bosch eBike batteries from the system generation **the smart system**.

Riders must be aware of and follow all applicable rules and regulations related to the operation or use of e-bikes in their local jurisdiction when operating or otherwise using this product. This eBike system has the capability to provide pedal assistance up to 20 mph. Riders must have the reaction, capabilities, experience, maturity, coordination and ability to control a bike at such speed, and to manage traffic, road conditions, and sudden situations, and also to respect the laws and instructions governing bicycle use. In addition, some jurisdictions may set a minimum age for the rider of this eBike. Please check your local jurisdiction for any applicable legal requirements and restrictions.

WARNING

- ▶ **This manual contains important safety, performance and service information.** Read it before you take the first ride on your new bicycle, and keep it for reference. The manual can also be found online at www.bosch-ebike.com.
- ▶ **This manual is intended to be read together with the separate user manual provided with your bicycle.** Be sure to read all provided documents including labels on the product before your first ride.
- ▶ **Read ALL accompanying manuals before riding the bike for the first time.** Your Bosch Drive System comes with additional manuals and documents provided by the manufacturer of the bicycle and other components. Failure to read and understand safety information can result in death or serious injury.
- ▶ **Take responsibility for your own SAFETY.** If you have any questions or do not understand something, consult with your dealer or the bicycle or component manufacturer.
- ▶ **Some eBike accessories may present a choking hazard to small children.** Keep these accessories away from children.

CAUTION

- **The Bosch Drive System adds weight to your bicycle which you may not be used to lift.** Avoid injury, use proper lifting techniques.

Using Your Operator's Manual

Your operator's manual consists of several parts:

- Operating instructions for the Bosch eBike system (this manual)
 - Operating instructions for the drive unit
 - Operating instructions for the display, the on-board computer or a smartphone holder
 - Operating instructions for the display holder, on-board computer holder or smartphone holder
 - Operating instructions for the control unit
 - Operating instructions for the charger
 - Operating instructions for the eBike battery
 - Operating instructions for the ConnectModule
- **Read and observe the safety warnings and instructions in all operating instructions of the eBike system and your eBike.**

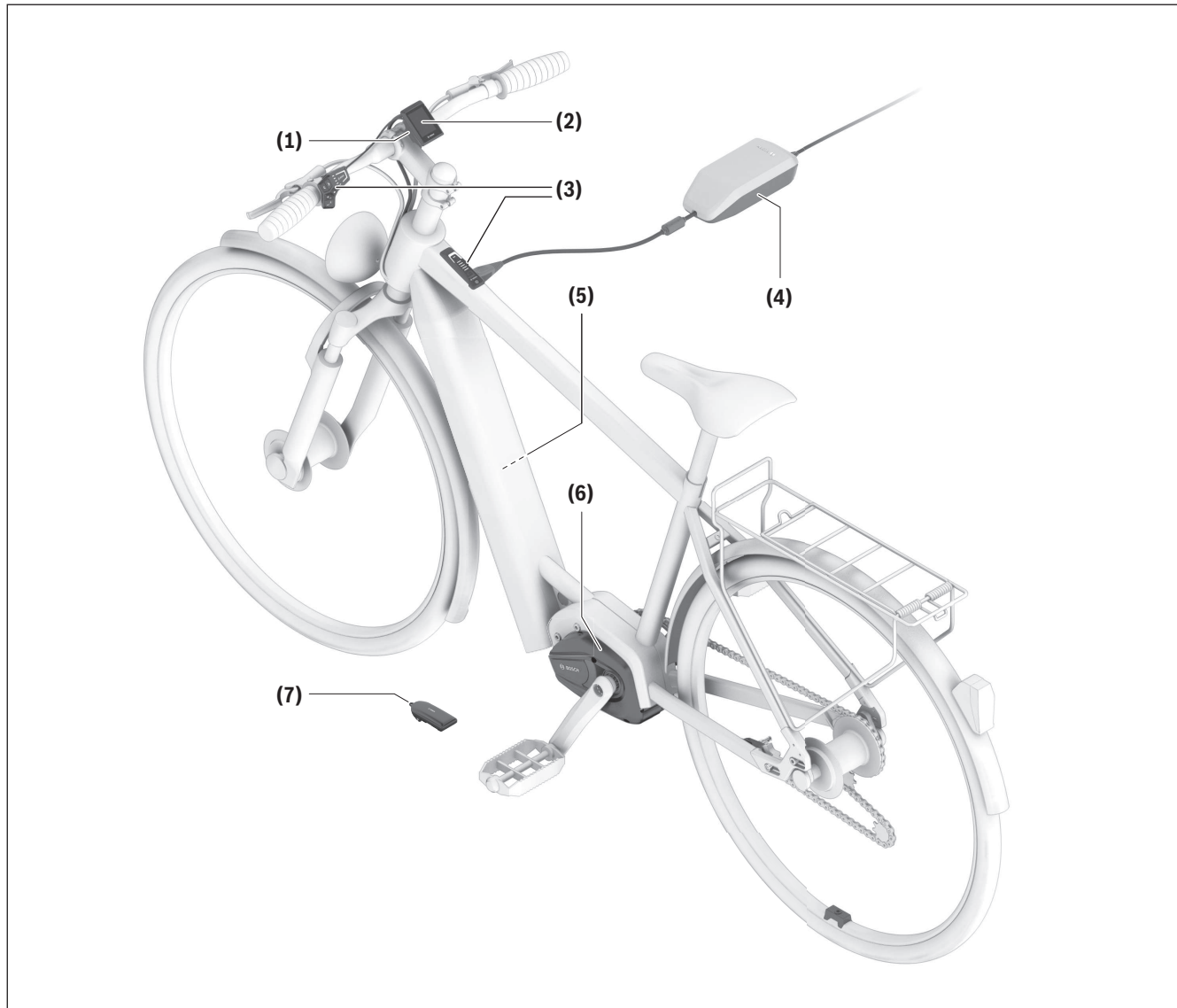
Graphics

The bicycle shown in this manual may differ slightly from your bicycle, but will be similar enough to help you understand our instructions.

RIGHT-HAND and LEFT-HAND sides are determined by facing in the direction the bicycle will travel when going forward. When you see a broken line (-----), the item referred to is hidden from view.

Bosch Drive System Overview

Bicycle View (PowerTube)



Bosch Drive System Components

All representations of bike components are schematic and can deviate from your eBike.

(1) Display holder

(2) Display/on-board computer

(3) Control unit

(4) Charger

(5) Frame-mounted battery "PowerTube"/
"CompactTube"

(6) Drive unit

(7) ConnectModule

Bicycle View (PowerPack Frame)



Bosch Drive System Components

All representations of bike components are schematic and can deviate from your eBike.

(1) Display holder

(2) Display/on-board computer

(3) Control unit

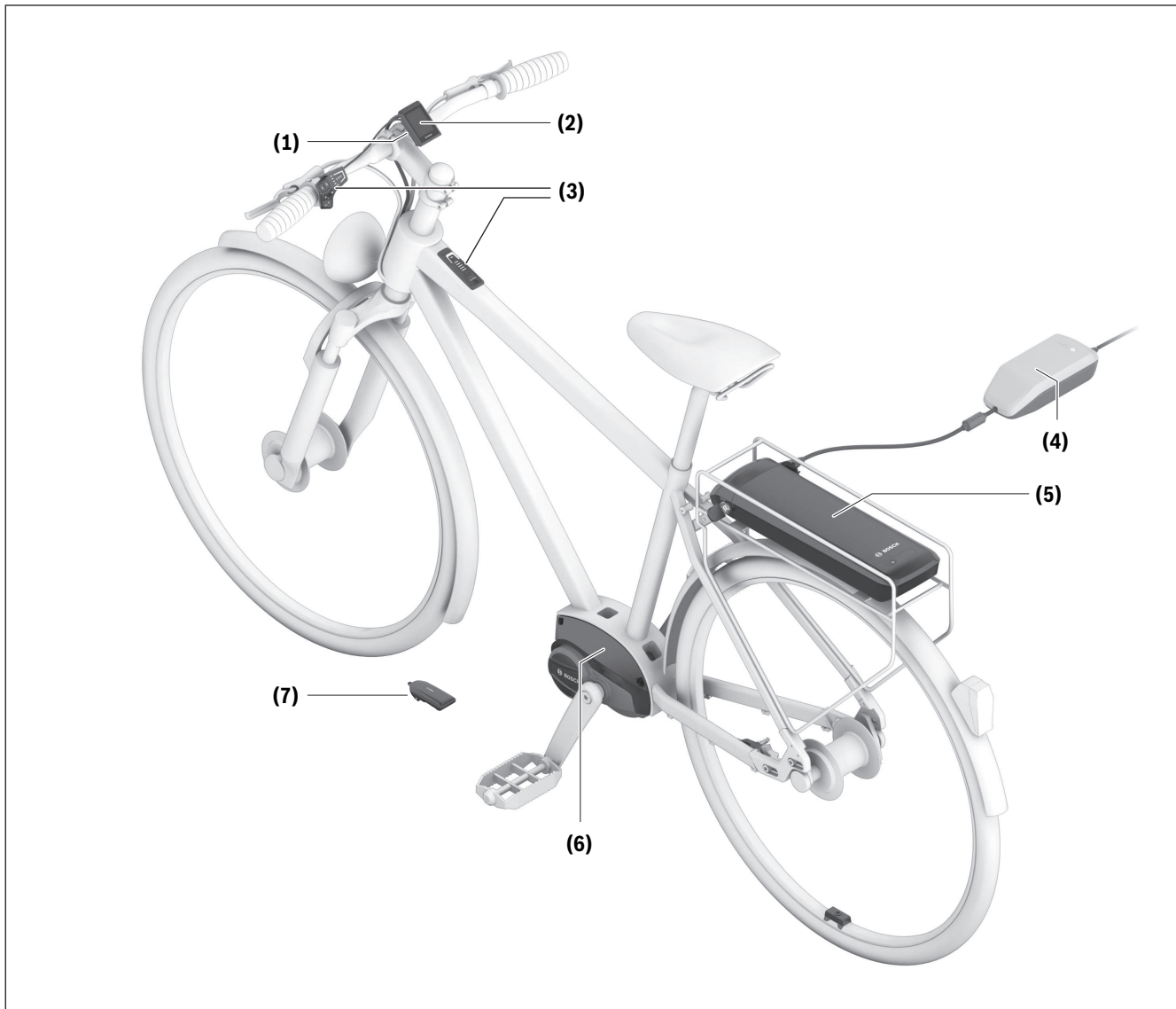
(4) Charger

(5) Frame-mounted battery "PowerPack"

(6) Drive unit

(7) ConnectModule

Bicycle View (PowerPack Rack)



Bosch Drive System Components

All representations of bike components are schematic and can deviate from your eBike.

(1) Display holder

(2) Display/on-board computer

(3) Control unit

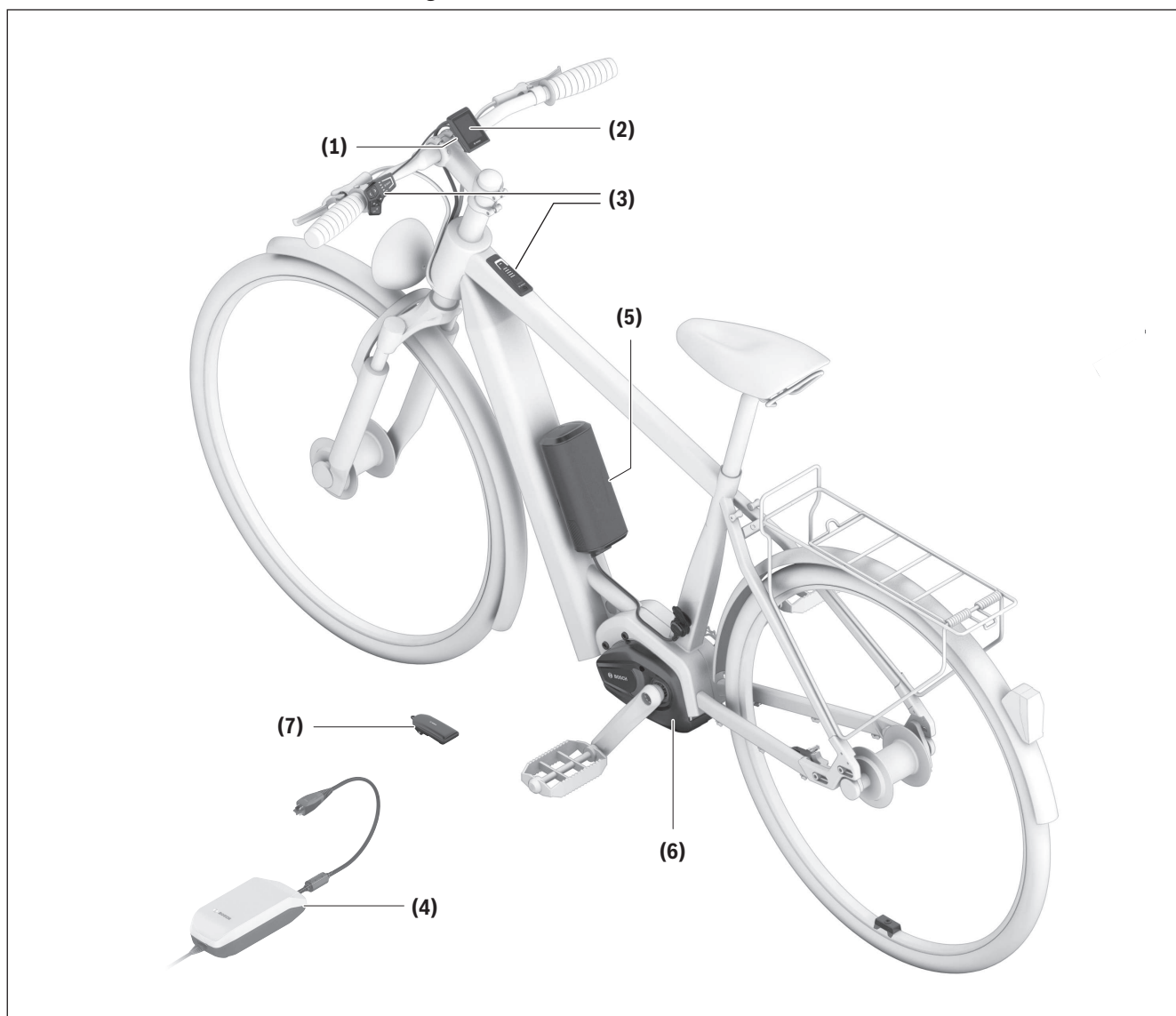
(4) Charger

(5) Rack-mounted battery "PowerPack"

(6) Drive unit

(7) ConnectModule

Bicycle View (PowerMore)



Bosch Drive System Components

All representations of bike components are schematic and can deviate from your eBike.

(1) Display holder

(2) Display/on-board computer

(3) Control unit

(4) Charger

(5) Frame-mounted battery "PowerMore"

(6) Drive unit

(7) ConnectModule

Operating your Bosch Drive System

Getting Ready to Ride

Read and understand all safety warnings and instructions. Failure to follow the below warnings could result in death or serious injury.

- ▶ **Protect others from death or serious injury. Prevent unauthorized use.** Always remove battery from the bicycle when not in use and store in a secure location. Failure to secure your bicycle from unauthorized use can result in death or serious injury to others.
- ▶ **Read and understand the influences on the operating range when planning your ride** (see "Influences on range", page English – 11).

Before your first ride

Check your bicycle owner's manual for important information about the bike components, such as the brakes, pedals, gears, gear shifting, etc.

▲ WARNING

- ▶ **If you have an impairment or disability such as a visual impairment, hearing impairment, physical impairment, cognitive/language impairment, or a seizure disorder, consult your physician before using this product.**
- ▶ **To reduce the risk of serious injury related to exercise, take the following precautions before use: Do not overexert yourself.** Use of the Bosch Drive System requires varying amounts of physical activity.

Consult a doctor before using the device if you have any medical condition or issue that affects your ability to safely perform physical activities, or if you:

- are or may be pregnant
- have heart, respiratory, back, joint, or other orthopedic conditions
- have high blood pressure
- have difficulty with physical exercise
- have been instructed to restrict physical activity

- ▶ **Riding a Bosch drive system equipped bicycle capable of speeds up to 20 mph requires proficiency in the activity of road cycling.** This product can allow you to achieve speeds greater than you may be used to achieving without the aid of motor assistance. It also may allow for riding longer periods of time at a higher speed. Higher speed results in higher forces if a crash occurs. Control your bicycle at all times. Your risk of death or serious injury increases with both speed and age.

The following are required for safe use of this product:

- Knowledge of the laws/safety guidelines/rules of road cycling (riding safely)
- Ability to operate and control a standard road bike
- Experienced rider who is actively riding
- Capable, comfortable and confident riding safely at speed up to 20 mph
- Your bike should match your riding style, be properly adapted to the dimensions of your body, and be well maintained.
- ▶ **Do not use this product under the influence of drugs and/or alcohol.**

▲ WARNING

- ▶ **While riding, do not become distracted by the onboard computer and always remain alert to all riding conditions.** The on-board computer should only be used in a stationary and safe start-up position. Utilize the operating unit to change motor assistance levels while riding.
- ▶ **Check your bicycle manual for maximum riding weight of your bicycle.** Overloading your bicycle can result in component failure which can result in death or serious injury. Typically maximum riding weight is defined by the sum of the rider's weight plus the weight of any luggage.

- ▶ **Wearing a helmet can prevent a severe head injury. Whenever riding, always wear a helmet that meets or exceeds established safety standards.** Approved helmets in the USA must meet the US Consumer Product Safety Commission standard, so look for a CPSC reference.

Intended Use

⚠ WARNING

- ▶ **Understand your bike and its intended use by consulting your bicycle owner's manual.** Using your bike in an unintended manner can result in death or serious injury.

The Bosch Drive System components are intended exclusively for your eBike and must not be used for other purposes.

Your Bosch drive unit is not intended for towing another bicycle. For trailer towing, consult your bicycle owner's manual and trailer owner's manual for towing instructions and towing compatibility.

Safe Start-up Procedure

⚠ WARNING

- **Follow the safe start-up procedure below.** Failure to follow safe start-up procedure can result in death or serious injury.

Preparations

Before starting check the following:

- Check that you have unplugged the battery charger.
- Your battery pack is locked in place (Pull on the battery pack to ensure it is locked in place).
- Remove the battery pack key.

Start Riding

- Sit in the saddle with both feet touching the ground and two hands on the handlebars.
- Once you are in a stable position, turn on the Bosch on-board computer. The Bosch Drive System will always start up in **OFF** mode.
- Place both hands on the handlebars and begin pedaling.

Notes on cycling with the eBike system

When does the drive take effect?

The drive assists your cycling only when you are pedaling. If you do not pedal, the assistance will not work. The drive output always depends on the pedaling force and cadence that you apply.

With lower force applied or a less frequent cadence, the assistance provided will be lower than that supplied at higher force or a more frequent cadence. This applies irrespective of the assistance level.

The drive automatically switches off at speeds over **20 mph**. When the speed falls below **20 mph**, the drive automatically becomes available again.

An exception applies to the push assistance function, in which the eBike can be pushed at low speed without pedaling. The pedals may rotate when the push assistance is in use.

You can also use the eBike as a normal bicycle without assistance at any time, either by switching off the eBike or by setting the assistance level to **OFF**. The same applies when the eBike battery is drained.

Interaction of the drive unit with the gear-shifting

You should shift through gears on an eBike in the same manner as when using a normal bicycle (observe the operating instructions of your eBike with regard to this point).

Irrespective of the type of gear shifting, it is advisable that you briefly reduce the pressure on the pedals when changing gear. This will aid gear shifting and reduce wear on the powertrain.

By selecting the correct gear, you can increase your speed and range while applying the same amount of force.

Test the range of your eBike in different conditions before planning longer and more demanding trips.

► **Read and understand the influences on the operating range when planning your ride** (see "Influences on range", page English – 11).

Influences on range

The range is affected by a number of factors, such as:

- Assistance level
- Speed
- Gear shifting behavior
- Tire type and tire pressure
- Age and condition of the eBike battery
- Route profile (gradients) and conditions (road surface)
- Headwind and ambient temperature
- Weight of eBike, rider and luggage

For this reason, it is not possible to predict the range accurately before and during a trip. However, as a general rule:

- With the **same** assistance level on the drive: The less energy you need to exert in order to reach a certain speed (e.g. by changing gears optimally), the less energy the drive will consume and the higher the range per battery charge will be.
- The **higher** the selected assistance level under otherwise constant conditions, the smaller the range will be.

Note: Plan your routes so that you can always reach your destination without drive assistance.

Transport

- ▶ **Always remove the battery pack (except fixed mount battery pack) from the bicycle before transporting the bicycle on a vehicle bike rack.** Failure to remove the battery pack when using a vehicle bike rack can lead to death or serious injury. The battery may detach during transport and cause an accident to following vehicles.
- ▶ **Always use an approved and compatible bicycle rack when transporting your eBike. The Bosch drive system adds weight to the bicycle.** Refer to your bicycle rack manual to be sure your eBike is compatible. Overloading a bike rack can result in death or serious injury.
- ▶ **Use proper lifting techniques as electric bikes are generally heavier than bicycles.**

Ship batteries only when the housing is undamaged. Tape or mask off open contacts and pack up the battery in such a manner that it cannot move around in the packaging. Inform your parcel service that the package contains dangerous goods. Please also observe possibly more detailed national regulations. Always check state and federal regulations before attempting to ship your battery.

- ▶ **If you transport your eBike attached to the outside of your car, e.g. on a bike rack, remove the on-board computer and the eBike battery (except fixed mount battery) to avoid damaging them.**

If you have any questions about transporting the eBike batteries, contact an authorized bicycle dealer. You can also order suitable transport packaging from the dealer.

Maintenance/Cleaning

WARNING

- ▶ **Do not open any of the components. Service should only be carried out at an authorized Bosch eBike dealer.** Failure to follow above warning can cause death or serious injury. Refer to your bicycle manual or component manual for all non-Bosch drive system components.
- ▶ **Always remove the battery pack before performing any bicycle inspection, maintenance or repair.** Failure to remove the battery pack before performing bicycle inspection, maintenance or repair can lead to serious injury.
- ▶ **If you suspect that something is loose, do not ride your bike.** See your Bosch eBike dealer, only a qualified service provider should perform work on your Bosch Drive System. All nuts, bolts, screws require the correct tightening force. Too little force and the fastener may not hold securely. Too much force and the fastener can strip threads, stretch, deform or break. Either way, incorrect tightening force can result in component failure, which can cause you to lose control and fall.
- ▶ **If replacing your battery, buy only a genuine Bosch battery pack from an approved source. See your Bosch eBike dealer for original Bosch parts.**
- ▶ **Always switch the battery pack off, when inserting or removing it from the holder.** Never attempt to insert or remove the battery pack while riding the bike.
- ▶ **Do not charge or use your eBike in any area with a potentially explosive atmosphere, such as at a fueling area, or in areas where the air contains chemicals or particles (such as grain, dust, or metal powders).** Obey all signs and instructions.
- ▶ **Do not submerge your eBike components in water, or wash with pressurized hose.** Your Bosch drive unit is designed to be water tight to rain water or non-pressure hose washing.
- ▶ **Note down the manufacturer and the number of the key.** In case of loss of the keys, please refer to

an authorised Bosch eBike dealer. Please provide the name of the manufacturer and the number of the key.

- ▶ **Do not paint any components of the Bosch drive system as they may cause premature failure of the component.**
- ▶ **Remove the eBike battery from the eBike before beginning work (e.g. inspection, repair, assembly, maintenance, work on the chain, etc.) on the eBike. When working on permanently installed eBike batteries, take particular care to ensure that the eBike cannot be switched on.**

Unintentional activation of the eBike poses a risk of injury.

Taking care of your eBike

Please observe the operating and storage temperatures of the eBike components. Protect the drive unit, on-board computer and eBike battery against extreme temperatures (e.g. from intense sunlight without adequate ventilation). Extreme temperatures can cause the components (especially the eBike battery) to become damaged.

Have your eBike checked by an expert at least once a year (including mechanical parts, up-to-dateness of system software).

Please have your eBike serviced and repaired by an authorized bicycle dealer.

After-sales service and advice on using products

If you have any questions about the eBike and its components, contact an authorized bicycle retailer.

For contact details of authorized bike dealerships, please visit www.bosch-ebike.com.

Please contact an authorized bicycle dealer if the eBike battery is no longer working.

Cleaning

- ▶ **Do not submerge your eBike components in water, or wash with pressurized hose.** Your Bosch drive unit is designed to be water tight to rain water or non-pressure hose washing.

Keep all components of your eBike clean, especially the battery pack contacts and corresponding holder contacts. All components including the drive unit may not be immersed in water or cleaned with a high-pressure cleaner. Clean them carefully with a soft, damp cloth (using only mild soap and water).

Battery Recycling Program



The drive unit, on-board computer incl. operating unit, eBike battery, speed sensor, accessories and packaging should be disposed of in an environmentally correct manner.

Do not dispose of eBikes and their components with household waste.



You may recycle your Bosch battery pack by calling 1.800.822.8837.

Table des matières

Introduction	2
À propos des avertissements.....	2
Avertissements généraux.....	2
Utilisation de votre notice d'utilisation	3
Vue d'ensemble du système d'entraînement Bosch.....	4
Vue du vélo (PowerTube)	4
Bicycle View (PowerPack Frame)	5
Bicycle View (PowerPack Rack)	6
Bicycle View (PowerMore)	7
Utilisation de votre système d'entraînement Bosch.....	8
Préparez-vous à rouler.....	8
Procédure de démarrage sûre.....	10
Informations sur la conduite avec le système eBike	11
Transport	12
Entretien/nettoyage	12
Programme de recyclage des accus.....	14

Introduction

Merci d'avoir acheté un vélo équipé du système d'entraînement Bosch !

L'équipe eBike Systems de Bosch apprécie de vous compter parmi ses clients et vous souhaite de nombreuses années d'utilisation de votre vélo en toute sécurité et pour votre entière satisfaction.

À propos des avertissements

Cette notice contient de nombreuses mentions de danger de type **DANGER, AVERTISSEMENT** et **ATTENTION** destinées à attirer l'attention sur les conséquences d'erreurs, dans le but d'utiliser, d'assembler, d'entretenir, de conserver et d'éliminer dans les règles et en toute sécurité les vélos électriques dotés d'un système eBike Bosch.

- Le symbole de sécurité et le mot **DANGER** signalent une situation à risque élevé, qui entraîne inévitablement des blessures graves, voire la mort, si elle n'est pas évitée.

- Le symbole de sécurité et le mot **AVERTISSEMENT** signalent une situation à risque élevé, pouvant entraîner des blessures graves, voire la mort, si elle n'est pas évitée.
- Le symbole de sécurité et le mot **ATTENTION** signalent une situation à risque modéré pouvant entraîner des blessures légères ou modérées si elle n'est pas évitée.

Avertissements généraux



Lisez tous les avertissements de sécurité et toutes les instructions. Le fait de ne pas respecter les avertissements et les instructions peut entraîner des blessures graves ou mortelles.

Conservez tous les avertissements et toutes les instructions pour pouvoir s'y reporter ultérieurement.

Le terme **batterie VAE** utilisé dans cette notice désigne toutes les batteries VAE Bosch d'origine de la génération **the smart system (le système intelligent)**.

Les cyclistes doivent connaître et observer, lors de l'utilisation de ce produit, toutes les règles et réglementations relatives à l'utilisation des vélos à assistance électrique en vigueur dans leur pays.

Ce VAE est conçu pour offrir une assistance électrique jusqu'à 20 mph. Les cyclistes doivent avoir les capacités de réaction, l'expérience, la maturité, la coordination corporelle et les aptitudes permettant de maîtriser un vélo à une telle vitesse, quelles que

soient le trafic, l'état de la chaussée et de gérer toutes les situations imprévisibles susceptibles de se présenter. Ils doivent aussi respecter les lois et réglementations régissant l'utilisation des vélos. De plus, certaines juridictions imposent un âge minimal pour la conduite de cet VAE. Veuillez vérifier quelles sont les exigences et restrictions applicables en vertu de la législation en vigueur.

⚠ AVERTISSEMENT

- ▶ **Cette notice contient d'importantes informations sur la sécurité, les performances et l'entretien.** Veuillez la lire avant d'utiliser votre vélo pour la première fois, et la conserver pour référence ultérieure. Vous pouvez également retrouver cette notice en ligne à l'adresse www.bosch-ebike.com.
- ▶ **Cette notice est destinée à être lue conjointement avec le manuel utilisateur séparé fourni avec votre vélo.** Assurez-vous de lire tous les documents fournis y compris les étiquettes apposées sur le produit avant la première utilisation.

- ▶ **Lisez TOUS les manuels et TOUTES les notices jointes avant d'utiliser votre vélo pour la première fois.** Votre système d'entraînement Bosch est livré avec d'autres manuels et documents fournis par le fabricant du vélo et des autres éléments. Ne pas lire ou ne pas comprendre les informations de sécurité peut entraîner des blessures graves ou mortelles.
- ▶ **Assumez la responsabilité de votre propre SÉCURITÉ.** En cas de question ou d'incompréhension, contactez votre revendeur ou le fabricant du vélo ou de l'élément.
- ▶ **Certains accessoires de l'eBike peuvent présenter un risque d'étouffement pour les petits enfants.** Conservez ces accessoires hors de portée des enfants.

⚠ ATTENTION

- ▶ **Le système d'entraînement Bosch alourdit votre vélo. Vous n'avez peut-être pas l'habitude de le soulever.** Évitez de vous blesser en utilisant des techniques de levage appropriées.

Utilisation de votre notice d'utilisation

Votre notice d'utilisation se compose de plusieurs parties :

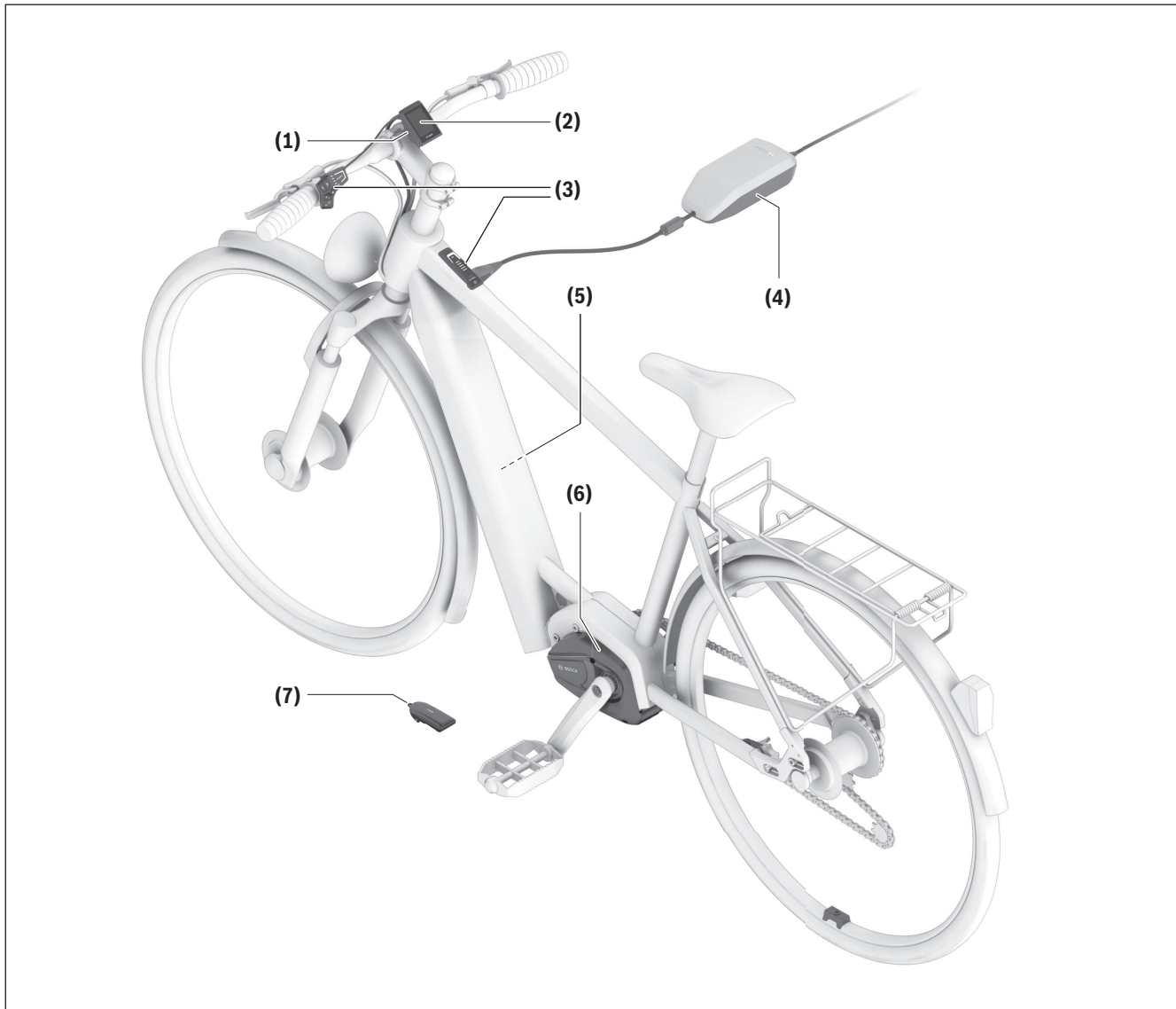
- une notice d'utilisation pour le système eBike Bosch (cette notice)
- une notice d'utilisation pour la Drive Unit
- une notice d'utilisation pour l'écran, l'ordinateur de bord ou pour un support de smartphone
- une notice d'utilisation pour le support de l'écran, de l'ordinateur de bord ou du smartphone
- une notice d'utilisation pour l'unité déportée
- une notice d'utilisation pour le chargeur
- une notice d'utilisation pour la batterie VAE
- une notice d'utilisation pour le ConnectModule (module de connexion)
- ▶ **Lisez et respectez les consignes de sécurité et les instructions de toutes les notices d'utilisation du système eBike, ainsi que la notice d'utilisation de votre eBike.**

Graphiques

Le vélo illustré dans cette notice peut être légèrement différent de votre vélo, mais il est suffisamment similaire pour vous permettre de comprendre nos instructions.

Les côtés DROIT et GAUCHE sont déterminés en se plaçant en situation, dans le sens de la marche du vélo. Lorsqu'une ligne en pointillé (-----) apparaît, l'élément auquel il est fait référence n'est pas visible.

Vue d'ensemble du système d'entraînement Bosch Vue du vélo (PowerTube)



Éléments du système d'entraînement Bosch

Toutes les représentations des éléments du vélo, à l'exception des éléments de l'eBike, sont schématiques et peuvent être différentes de votre eBike.

(1) Support d'écran

(2) Écran/Ordinateur de bord

(3) Commande déportée

(4) Chargeur

(5) Batterie de cadre « PowerTube »/« Compact-Tube »

(6) Drive Unit

(7) ConnectModule

Bicycle View (PowerPack Frame)



Éléments du système d'entraînement Bosch

Toutes les représentations des éléments du vélo, à l'exception des éléments de l'eBike, sont schématiques et peuvent être différentes de votre eBike.

(1) Support d'écran

(2) Écran/Ordinateur de bord

(3) Commande déportée

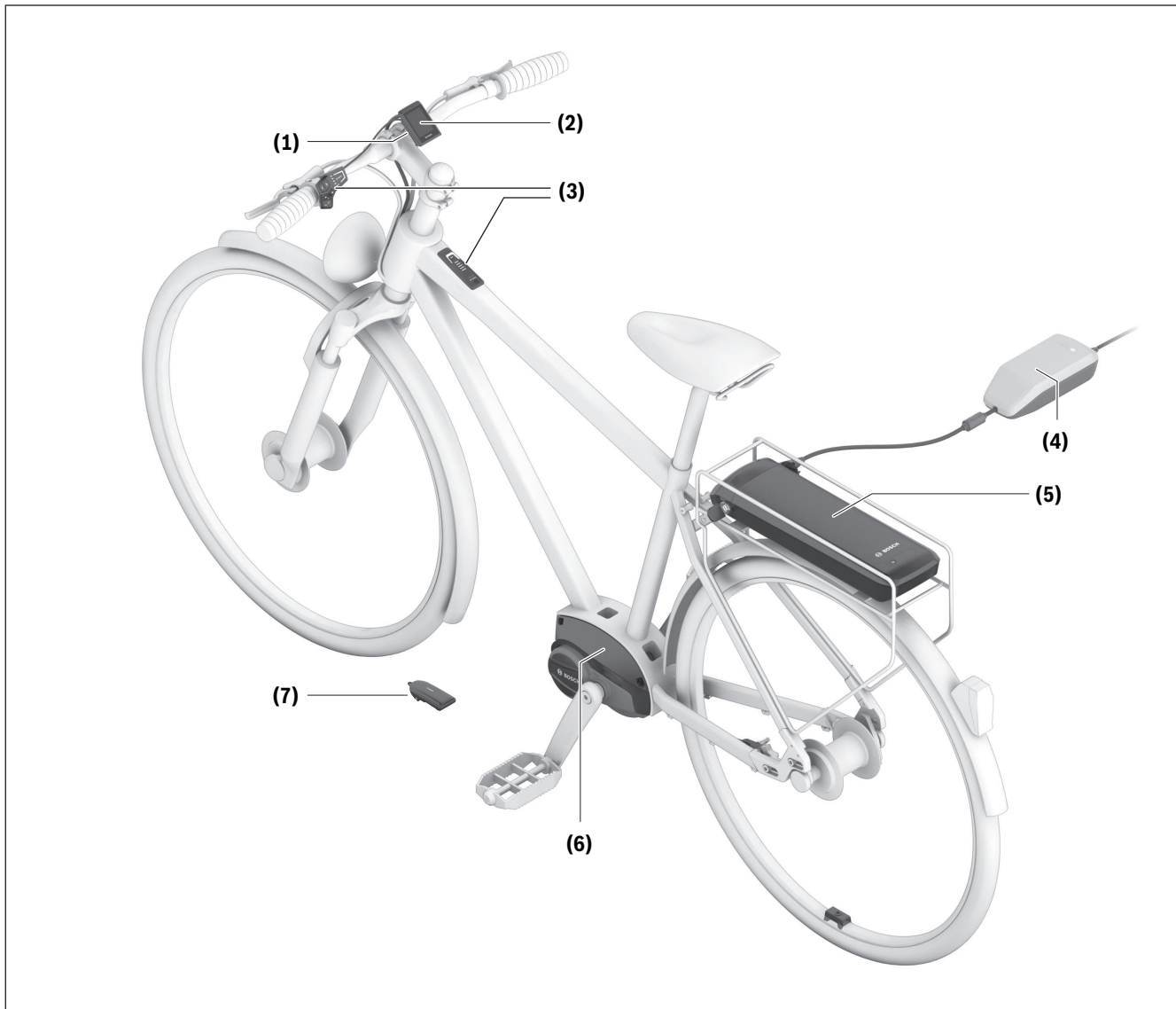
(4) Chargeur

(5) Batterie de cadre « PowerPack »

(6) Drive Unit

(7) ConnectModule

Bicycle View (PowerPack Rack)



Éléments du système d'entraînement Bosch

Toutes les représentations des éléments du vélo, à l'exception des éléments de l'eBike, sont schématiques et peuvent être différentes de votre eBike.

(1) Support d'écran

(2) Écran/Ordinateur de bord

(3) Commande déportée

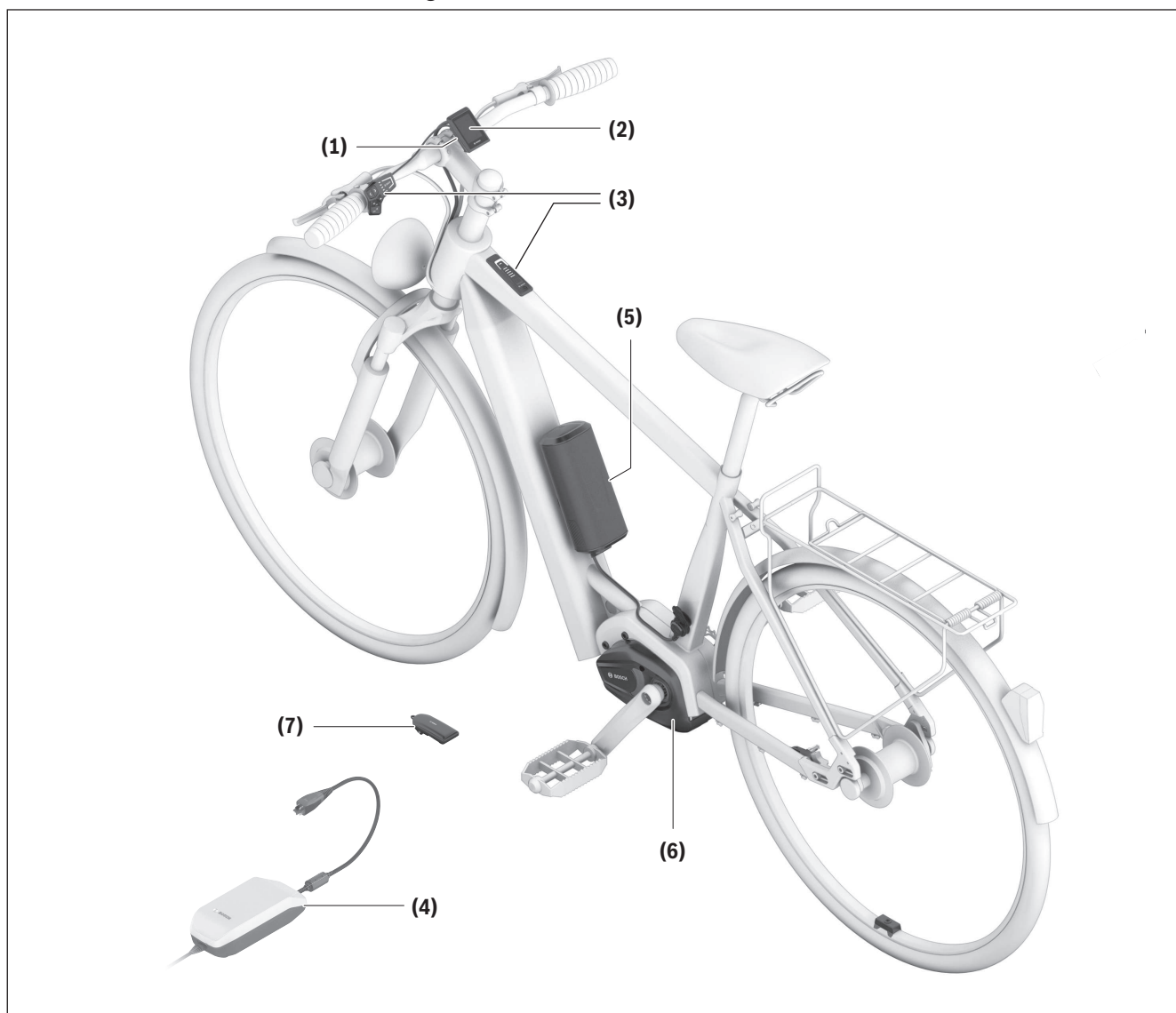
(4) Chargeur

(5) Batterie de porte-bagages « PowerPack »

(6) Drive Unit

(7) ConnectModule

Bicycle View (PowerMore)



Éléments du système d'entraînement Bosch

Toutes les représentations des éléments du vélo, à l'exception des éléments de l'eBike, sont schématiques et peuvent être différentes de votre eBike.

- (1) Support d'écran
- (2) Écran/Ordinateur de bord
- (3) Commande déportée
- (4) Chargeur

- (5) Batterie de cadre « PowerMore »
- (6) Drive Unit
- (7) ConnectModule

Utilisation de votre système d'entraînement Bosch

Préparez-vous à rouler

Lisez et comprenez tous les avertissements et toutes les instructions. Le fait de ne pas respecter les avertissements ci-dessous peut entraîner des blessures graves ou mortelles.

- ▶ **Protégez les autres personnes contre les blessures graves ou mortelles. Empêchez toute utilisation non autorisée.** Retirez toujours la batterie du vélo lorsqu'ils ne sont pas utilisés et rangez-les dans un endroit sûr. Le fait de ne pas sécuriser votre vélo contre toute utilisation non autorisée peut entraîner des blessures graves ou mortelles chez d'autres personnes.
- ▶ **Informez-vous sur les facteurs influant sur l'autonomie lors de la planification de vos trajets** (voir « Facteurs influant sur l'autonomie », Page Français – 11).

Avant la première utilisation

Consultez le manuel de votre vélo pour connaître toutes les informations importantes relatives aux éléments du vélo tels que les freins, les pédales, les changements de vitesses, etc.

AVERTISSEMENT

- ▶ **Si vous souffrez d'un handicap, d'une déficience visuelle, auditive, physique ou cognitive, de troubles du langage ou de troubles épileptiques, consultez votre médecin avant d'utiliser ce produit.**
- ▶ **Pour réduire le risque d'accident grave lié à la pratique d'un exercice physique, suivez les précautions indiquées ci-dessous avant d'utiliser le produit : Ne vous surmenez pas.** L'utilisation du système d'entraînement Bosch exige la pratique d'une activité physique plus ou moins régulière.

Consultez un médecin avant d'utiliser le système si vous avez un problème de santé affectant votre capa-

cité à pratiquer sans risque des activités physiques ou si :

- vous êtes enceinte
- vous avez un problème cardiaque, respiratoire, articulaire, de dos ou tout autre problème orthopédique
- vous faites de l'hypertension
- vous éprouvez des difficultés à pratiquer des exercices physiques
- il vous a été demandé de limiter vos activités physiques

- ▶ **La conduite d'un vélo équipé d'un système d'assistance Bosch permettant de rouler à des vitesses jusqu'à 20 mph réclame une bonne maîtrise de la circulation à vélo sur route.** Ce produit vous permet d'atteindre des vitesses plus élevées que celles que vous atteignez peut-être habituellement avec un vélo sans assistance électrique. Il permet aussi de rouler plus longtemps et à une plus grande vitesse. Plus la vitesse est élevée, plus les forces qui entrent en jeu lors d'une collision sont importantes. Il est primordial de bien maîtriser son vélo en toutes circonstances. Le risque de blessures graves voire mortelles augmente avec la vitesse et avec l'âge.

Conditions requises pour pouvoir utiliser ce produit en toute sécurité :

- Avoir une bonne connaissance de la législation/des consignes de sécurité/des règles de circulation à vélo sur route
- Savoir conduire et maîtriser un vélo classique
- Être un cycliste expérimenté habitué à faire du vélo
- Être capable de rouler en toute confiance et en toute sécurité jusqu'à une vitesse de 20 mph
- Votre vélo doit correspondre à votre style de conduite, être bien adapté à votre morphologie et être bien entretenu.

- ▶ **N'utilisez pas ce produit sous l'emprise de médicaments et/ou d'alcool.**

⚠ AVERTISSEMENT

- ▶ **Lorsque vous roulez, ne vous laissez pas distraire par l'ordinateur de bord et restez toujours attentif en toutes circonstances.** L'ordinateur de bord doit uniquement être utilisé dans une position stationnaire ou de démarrage sécurisé. Utilisez l'unité de commande pour changer les niveaux d'assistance moteur pendant que vous roulez.
- ▶ **Consultez le manuel de votre vélo pour connaître le poids maximal de votre vélo.** L'excès de poids sur votre vélo peut entraîner une défaillance d'un élément et par là-même des blessures graves ou mortelles. Le poids maximal est généralement défini par le total du poids du conducteur et le poids des éventuels bagages.
- ▶ **Le port d'un casque peut prévenir des blessures graves à la tête. Lorsque vous faites du vélo, portez toujours un casque qui respecte ou dépasse les normes de sécurité en vigueur.** Aux États-Unis, les casques doivent être conformes à la norme de la Commission américaine sur la sécurité des produits (US Consumer Product Safety Commission). Assurez-vous donc de la présence d'un label CPSC.

Utilisation conforme**⚠ AVERTISSEMENT**

- ▶ **Consultez la notice d'utilisation de votre vélo pour bien comprendre votre vélo et l'utilisation pour laquelle il a été conçu.** Toute utilisation non conforme peut causer des blessures graves et entraîner la mort.

Les composants du système d'entraînement Bosch sont uniquement conçus pour une utilisation avec votre vélo électrique. Toute autre utilisation est interdite.

Votre unité d'entraînement n'est pas conçue pour remorquer un autre vélo. Pour l'utilisation d'une remorque, consultez la notice d'utilisation de votre vélo et de la remorque. Vous y trouverez les restrictions/conditions d'utilisation ainsi que les consignes de remorquage.

Procédure de démarrage sûre

▲ AVERTISSEMENT

- **Respectez la procédure de démarrage sûre ci-dessous.** Le non-respect de la procédure de démarrage sûre peut entraîner des blessures graves ou mortelles.

Préparations

Avant de commencer, vérifiez ce qui suit :

- Le chargeur de batterie est bien débranché du vélo
- Votre accu est verrouillé en place (tirez sur l'accu pour vous assurer qu'il est verrouillé en place)
- Retirez la clé du verrou de l'accu

Commencer à rouler

- Asseyez-vous sur la selle avec les deux pieds touchant le sol et avec les deux mains sur le guidon.
- Une fois que vous vous trouvez dans une position stable, mettez en marche l'ordinateur de bord Bosch. Le système d'entraînement Bosch se trouve toujours dans le mode **OFF** lorsqu'il est mis en marche.
- Placez vos deux mains sur le guidon et mettez-vous à pédaler.

Informations sur la conduite avec le système eBike

Quand l'assistance électrique fonctionne-t-elle ?

L'assistance électrique vous aide à avancer tant que vous pédalez. Il n'y a pas d'assistance quand vous ne pédalez pas. La puissance d'entraînement dépend toujours de l'effort exercé sur les pédales et de la fréquence de pédalage.

Plus vous appuyez sur les pédales et plus la fréquence de pédalage est importante, plus l'assistance électrique est élevée. Cela vaut quel que soit le niveau d'assistance.

L'assistance électrique s'arrête automatiquement dès que la vitesse de roulage atteint **20 mph**. L'assistance électrique se réactive automatiquement dès que la vitesse de roulage redescend en dessous de **20 mph**.

La fonction d'assistance à la poussée constitue une exception : elle permet de pousser le vélo électrique à faible vitesse sans avoir à pédaler. Lors de l'utilisation de l'assistance à la poussée, les pédales peuvent être entraînées et se mettre à tourner.

Vous pouvez à tout moment utiliser le vélo électrique comme un vélo classique sans assistance. Il vous suffit pour cela d'éteindre le VAE ou de sélectionner le niveau d'assistance **OFF**. Il en va de même quand la batterie du VAE est vide.

Interaction entre la Drive Unit et le système de changement de vitesses

Vous devez avec un VAE changer de vitesses de la même façon qu'avec un vélo normal (consultez la notice d'utilisation de votre vélo électrique).

Quel que soit le type de système de changement de vitesses dont dispose le VAE, il est recommandé de réduire brièvement la pression exercée sur les pédales pendant que vous changez de vitesse. Cela facilite le changement de vitesse et réduit l'usure du mécanisme d'entraînement.

En choisissant la vitesse appropriée, vous pouvez, à effort égal, rouler plus vite et bénéficier d'une plus grande autonomie.

Testez l'autonomie de votre vélo électrique dans différentes conditions avant de planifier des trajets longs et exigeants.

► **Informez-vous sur les facteurs influant sur l'autonomie lors de la planification de vos trajets** (voir « Facteurs influant sur l'autonomie », Page Français – 11).

Facteurs influant sur l'autonomie

L'autonomie dépend de nombreux facteurs, notamment :

- Niveau d'assistance,
- Vitesse de roulage,
- Comportement de changement de vitesses,
- Type de pneus et pression de gonflage,
- Âge et état d'entretien de la batterie du VAE,
- Profil (dénivelé) du parcours et nature du revêtement de la chaussée,
- Sens du vent et température ambiante,
- Poids du vélo électrique, du conducteur et des bagages.

C'est pourquoi il n'est pas possible de prédire avec exactitude l'autonomie avant un trajet et pendant un trajet. Règles générales :

- Pour un **même** niveau d'assistance du système d'entraînement : moins vous aurez à exercer d'effort pour atteindre une certaine vitesse de roulage (grâce notamment à une utilisation optimale des vitesses), moins le système d'entraînement consommera d'énergie et plus l'autonomie par charge de batterie sera grande.
- Plus le niveau d'assistance sélectionné est **élevé**, moins l'autonomie est grande (pour des conditions de conduite données).

Remarque : Programmez vos trajets de façon à pouvoir toujours arriver à destination même sans assistance électrique.

Transport

- ▶ **Toujours retirer la batterie (sauf si elle est fixe) avant de transporter le vélo sur un porte-vélo.** Le non-retrait de la batterie lors de l'utilisation d'un porte-vélo peut causer des blessures graves voire mortelles. La batterie risque de se détacher et de tomber pendant le transport et constitue donc une source d'accident pour les véhicules qui suivent.
 - ▶ **Utilisez toujours un porte-vélos compatible et approuvé lorsque vous transportez votre eBike. Le système d'entraînement Bosch représente un poids supplémentaire pour votre vélo.** Reportez-vous au manuel de votre porte-vélo pour vous assurer que votre eBike est compatible. L'excès de poids sur un porte-vélos peut entraîner des blessures graves ou mortelles.
 - ▶ **Utilisez des techniques de levage correctes car les vélos électriques sont généralement plus lourds que les vélos traditionnels.**
- Expédiez les accus uniquement si leur boîtier n'est pas endommagé. Protégez les contacts et emballez l'accu de manière à ce qu'il ne puisse pas se déplacer dans l'emballage. Prévenez l'expéditeur qu'il s'agit d'un produit classé comme matière dangereuse. Veuillez également respecter les réglementations supplémentaires éventuellement en vigueur dans votre pays. Vérifiez toujours les réglementations départementales et nationales avant de tenter d'expédier votre batterie.
- ▶ **Pour transporter votre VAE à l'extérieur de votre voiture, par exemple sur une galerie de toit, retirez préalablement l'ordinateur de bord et la batterie (sauf si fixe) afin d'éviter qu'ils soient endommagés.**
- Pour toute question concernant le transport des batteries de VAE, adressez-vous à un revendeur de VAE agréé. Vous pouvez également commander un emballage de transport approprié auprès d'un revendeur spécialisé.

Entretien/nettoyage

▲ AVERTISSEMENT

- ▶ **N'ouvrez aucun élément. L'entretien doit uniquement être effectué par un revendeur eBike Bosch autorisé.** Le fait de ne pas respecter l'avertissement ci-dessus peut entraîner des blessures graves ou mortelles. Reportez-vous au manuel de votre vélo ou au manuel de l'élément pour tous les éléments ne faisant pas partie du système d'entraînement Bosch.
- ▶ **Retirez toujours l'accu avant d'inspecter un vélo, de procéder à son entretien ou à sa réparation.** Le fait de ne pas retirer l'accu avant d'inspecter un vélo, de procéder à son entretien ou à sa réparation peut entraîner des blessures graves.
- ▶ **Si vous suspectez une défaillance, n'utilisez pas votre vélo.** Consultez votre revendeur eBike Bosch, seul un revendeur qualifié doit intervenir sur votre système d'entraînement Bosch. Tous les écrous, les boulons et les vis requièrent une force de serrage correcte. Une force de serrage trop faible ne permet pas la fixation sécurisée des composants. Une force de serrage excessive risque au contraire de briser les filets, et d'étendre, de déformer ou de casser les éléments de fixation. D'une manière ou d'une autre, une force de serrage incorrecte peut entraîner une défaillance de l'élément, ce qui peut vous faire perdre le contrôle de votre vélo et vous faire tomber.
- ▶ **Si vous remplacez votre batterie, achetez uniquement un accu Bosch d'origine auprès d'une source fiable et approuvée. Contactez votre revendeur eBike Bosch pour les pièces Bosch d'origine.**
- ▶ **Arrêtez toujours l'accu lorsque vous le montez ou le retirez de son support.** Ne tentez jamais de

monter ni de retirer l'accu lorsque vous roulez à vélo.

- ▶ **Ne rechargez pas et n'utilisez pas votre eBike dans une zone présentant une atmosphère potentiellement explosive, par exemple dans une station-service ou dans des zones dans lesquelles l'air contient des produits chimiques ou des particules (telles que des grains, de la poussière ou des poudres métalliques).** Respectez tous les panneaux et toutes les instructions.
- ▶ **Ne plongez pas vos composants eBike dans l'eau et ne les lavez pas avec un pulvérisateur haute pression.** Votre unité d'entraînement Bosch est conçue pour être étanche à l'eau de pluie ou à un tuyau d'arrosage sans pression.
- ▶ **Notez le nom du fabricant et le numéro de la clé.** Si vous perdez les clés, contactez un revendeur eBike Bosch autorisé. Veuillez fournir le nom du fabricant et le numéro de la clé.
- ▶ **Ne peignez aucun élément du système d'entraînement Bosch car cela peut entraîner une défaillance prématurée de l'élément.**
- ▶ **Retirez la batterie du vélo électrique avant d'entreprendre des travaux (réparation, montage, entretien, interventions au niveau de la chaîne etc.) sur le vélo. Si le VAE est doté d'une batterie fixe, prenez des précautions qui s'imposent pour exclure toute activation du VAE.** Une activation involontaire du VAE risque de provoquer des blessures.

Entretien du système eBike

Respectez les températures de fonctionnement et de stockage des composants du système d'assistance électrique. Protégez la Drive Unit, l'ordinateur de bord et la batterie du VAE des températures extrêmes (par exemple d'une exposition intense aux rayons du soleil en l'absence d'aération). Les composants (surtout la batterie du VAE) peuvent être endommagés lorsqu'ils sont exposés à des températures extrêmes.

Faites contrôler l'état de votre vélo électrique au moins une fois par an (partie mécanique, version du logiciel système, etc.).

Pour le service après-vente ou les réparations sur votre vélo électrique, adressez-vous à un vélociste agréé.

Service après-vente et conseil utilisateurs

Pour toutes les questions concernant votre vélo électrique et ses éléments, adressez-vous à un vélociste agréé.

Vous trouverez les données de contact de vélocistes agréés sur le site internet www.bosch-ebike.com.

Si la batterie de VAE ne fonctionne plus, adressez-vous à un revendeur de VAE agréé.

Nettoyage

- ▶ **Ne plongez pas vos composants eBike dans l'eau et ne les lavez pas avec un pulvérisateur haute pression.** Votre unité d'entraînement Bosch est conçue pour être étanche à l'eau de pluie ou à un tuyau d'arrosage sans pression.

Maintenez tous les éléments de votre vélo électrique propres, surtout les contacts de l'accu et les supports de fixation. Ne plongez pas dans l'eau les éléments, y compris l'unité de l'entraînement et ne les nettoyez pas à l'aide d'un nettoyeur haute pression. Nettoyez-les soigneusement à l'aide d'un chiffon doux et humide (en utilisant uniquement du savon doux et de l'eau).

Programme de recyclage des accus



La Drive Unit, l'ordinateur de bord, la commande déportée, la batterie VAE, le capteur de vitesse, les accessoires et l'emballage doivent être rapportés à un centre de recyclage respectueux de l'environnement.

Ne jetez pas les systèmes eBike et leurs éléments constitutifs dans les ordures ménagères !



Pour recycler votre batterie Bosch, appelez le 1.800.822.8837.

Índice

Introducción	2
Acerca de las advertencias	2
Advertencias generales	2
Utilización de su Manual de usuario	3
Visión general del sistema de accionamiento de Bosch.....	4
Vista de la bicicleta (PowerTube)	4
Bicycle View (PowerPack Frame)	6
Bicycle View (PowerPack Rack)	7
Bicycle View (PowerMore)	8
Uso del sistema de accionamiento de Bosch.....	9
Preparación para montar en bicicleta.....	9
Procedimiento de arranque seguro.....	11
Indicaciones sobre la conducción con el sistema eBike.....	12
Transporte.....	13
Mantenimiento/limpieza	13
Programa de reciclaje de baterías	15

Introducción

¡Gracias por adquirir una bicicleta equipada con el sistema de accionamiento de Bosch!

El equipo eBike Systems de Bosch le aprecia como cliente y le desea muchos años de satisfacción y seguridad con el uso de su bicicleta.

Acerca de las advertencias

Este manual contiene muchos **PELIGROS**, **ADVERTENCIAS**, y **PRECAUCIONES** sobre las consecuencias de una falta de uso, montaje, mantenimiento, almacenamiento, inspección y eliminación de una eBike equipada por Bosch de modo seguro.

- La combinación del símbolo de alerta de seguridad y la palabra **PELIGRO** indica una situación peligrosa que, si no se evita, ocasionará la muerte o lesiones graves.

- La combinación del símbolo de alerta de seguridad y la palabra **ADVERTENCIA** indica una situación peligrosa que, si no se evita, podría provocar la muerte o lesiones graves.
- La combinación del símbolo de alerta de seguridad y la palabra **PRECAUCIÓN** indica una situación peligrosa que, si no se evita, podría ocasionar lesiones leves o moderadas.

Advertencias generales



Lea íntegramente todas las indicaciones de seguridad e instrucciones. No seguir las advertencias e instrucciones siguientes puede provocar la muerte o lesiones graves.

Guarde todas las indicaciones de seguridad e instrucciones para posibles consultas futuras.

El término **Acumulador para eBike** utilizado en estas instrucciones de servicio se refiere a todos los acumuladores originales para eBike de Bosch de la generación del sistema **the smart system (el smart system)**.

Los ciclistas deben conocer y seguir todas las normas y regulaciones aplicables relacionados con el funcionamiento o el uso de las bicicletas eléctricas (e-bikes) en su jurisdicción local cuando operen o utilicen este producto. Este sistema eBike es capaz de ofrecer asistencia de pedaleo de hasta 20 mph. Los ciclistas deben tener la reacción, las capacidades, la experiencia, la madurez, la coordinación y la habilidad para controlar la bicicleta a esa velocidad y gestionar el tráfico, las condiciones de la carretera y las situaciones repentinas, así como respetar las leyes y las instrucciones que rigen el uso de la bicicleta.

Además, es posible que algunos territorios establezcan una edad mínima para poder montar esta eBike. Compruebe su jurisdicción local para comprobar las disposiciones legales y restricciones aplicables.

ADVERTENCIA

- ▶ **Este manual contiene información importante de seguridad, rendimiento y mantenimiento.** Léalo antes de usar su nueva bicicleta y guárdelo a modo de referencia. Puede encontrar el manual también en línea en www.bosch-ebike.com.
- ▶ **Este manual está previsto para su lectura junto con el manual de usuario aparte que venía con su bicicleta.** Antes de usar la bici por primera vez, asegúrese de leer toda la documentación facilitada, incluidas las etiquetas que lleva el producto.
- ▶ **Lea TODOS los manuales incluidos antes de montar en la bicicleta por primera vez.** Su sistema de accionamiento de Bosch incluye manuales y documentación adicionales proporcionados por el fabricante de la bicicleta y de otros componentes. No leer o desconocer la información de seguridad puede provocar la muerte o lesiones graves.

- ▶ **Por su propia SEGURIDAD, sea responsable.** Si tiene dudas o no entiende algo, consúltelo con su distribuidor o con el fabricante de la bicicleta o del componente.
- ▶ **Algunos accesorios de la eBike pueden suponer un peligro de atragantamiento para los niños pequeños.** Mantenga esos accesorios alejados de los niños.

⚠ PRECAUCIÓN

- ▶ **El sistema de accionamiento de Bosch incrementa el peso de su bicicleta, que puede que no esté acostumbrado a levantar.** Evite las lesiones; utilice técnicas de elevación adecuadas.

Utilización de su Manual de usuario

Las instrucciones de uso se dividen en varias partes:

- unas instrucciones de uso para el sistema eBike de Bosch (estas instrucciones)
- unas instrucciones de uso para la unidad de accionamiento
- unas instrucciones de uso para la pantalla, para el ordenador de a bordo o para un soporte de teléfono inteligente
- unas instrucciones de uso para el soporte de la pantalla, el ordenador de a bordo o el teléfono inteligente
- unas instrucciones de uso para la unidad de mando
- unas instrucciones de uso para el cargador
- unas instrucciones de uso para el acumulador para eBike
- unas instrucciones de uso para el ConnectModule
- ▶ **Lea y siga todas las indicaciones de seguridad e instrucciones de todos los manuales de uso del sistema eBike, así como las instrucciones de uso de su eBike.**

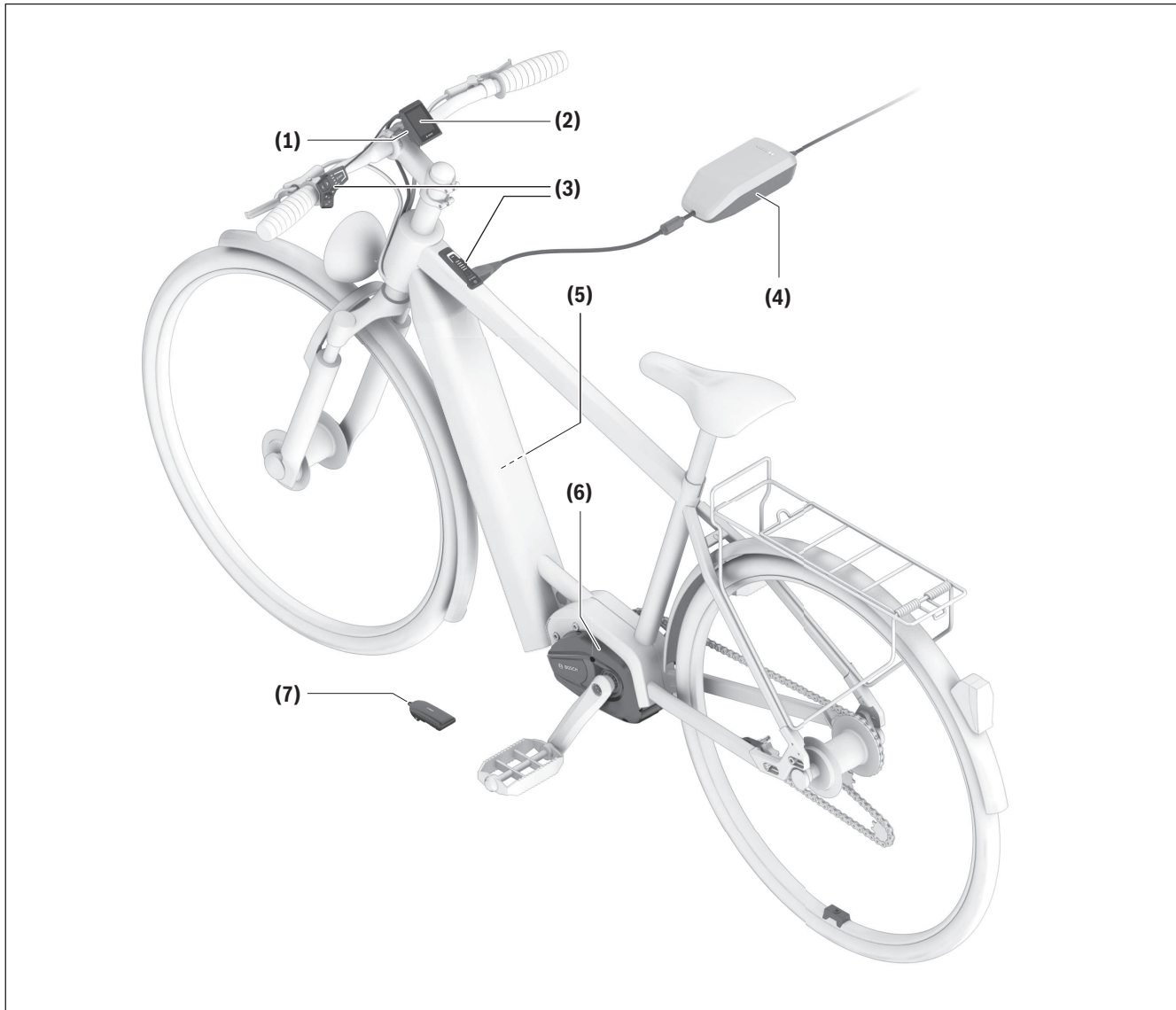
Gráficos

La bicicleta que se muestra en este manual puede diferir ligeramente de la suya; no obstante, las similitudes son suficientes para ayudarle a entender nuestras instrucciones.

Los lados DERECHO e IZQUIERDO se indican mirando en el sentido que la bicicleta tendrá al circular hacia delante. Si ve una línea discontinua (-----), el elemento al que se refiere está oculto a la vista.

Visión general del sistema de accionamiento de Bosch

Vista de la bicicleta (PowerTube)

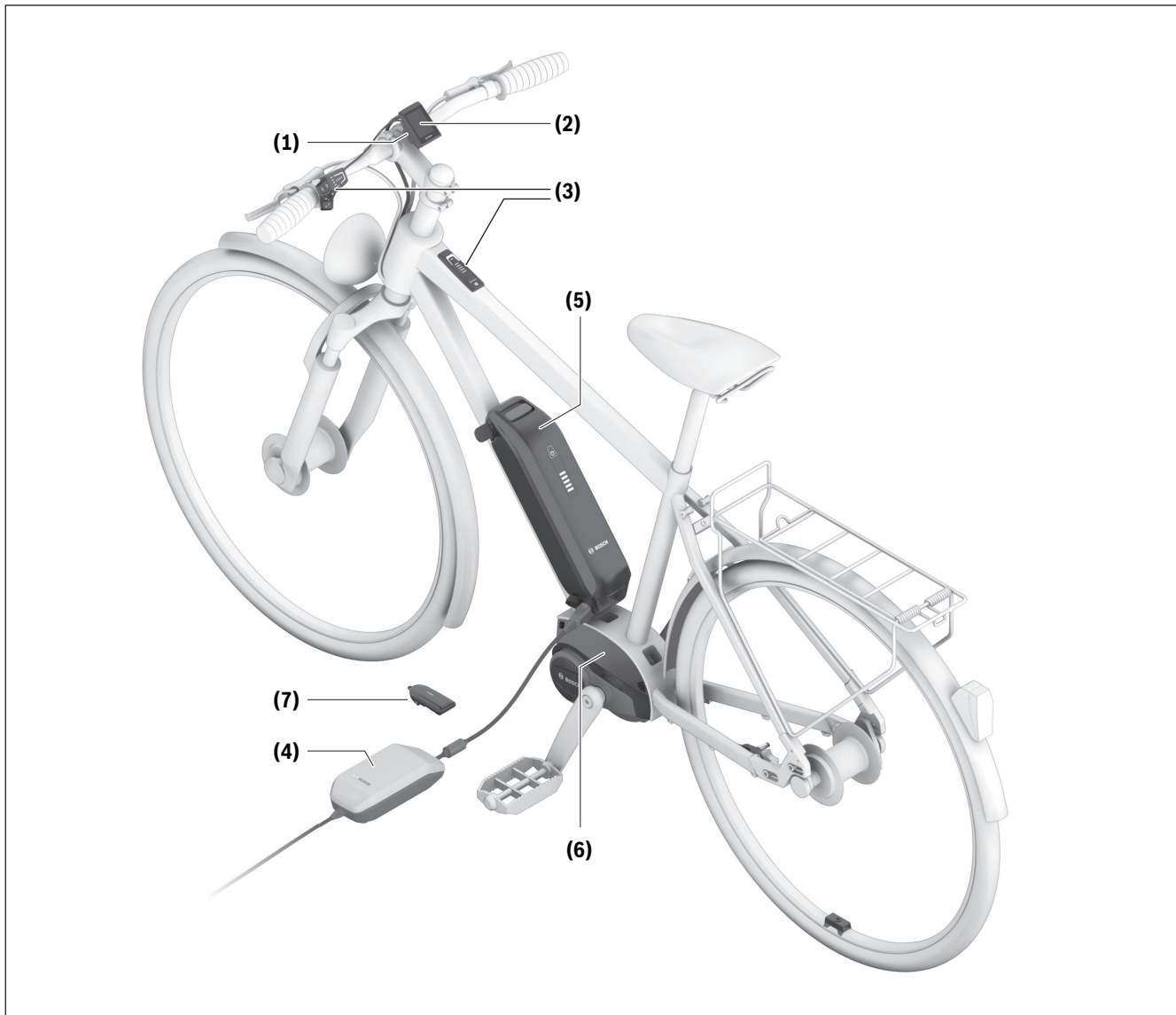


Componentes del sistema de accionamiento de Bosch

Todas las representaciones de los componentes de la bicicleta, a excepción de las baterías y sus soportes, se muestran de manera esquemática y pueden diferir de su eBike.

- (1)** Soporte de la pantalla
- (2)** Pantalla/ordenador de a bordo
- (3)** Cuadro de mandos
- (4)** Cargador
- (5)** Acumulador de bastidor «PowerTube»/«CompactTube»
- (6)** Unidad de accionamiento
- (7)** ConnectModule

Bicycle View (PowerPack Frame)



Componentes del sistema de accionamiento de Bosch

Todas las representaciones de los componentes de la bicicleta, a excepción de las baterías y sus soportes, se muestran de manera esquemática y pueden diferir de su eBike.

(1) Soporte de la pantalla

(2) Pantalla/ordenador de a bordo

(3) Cuadro de mandos

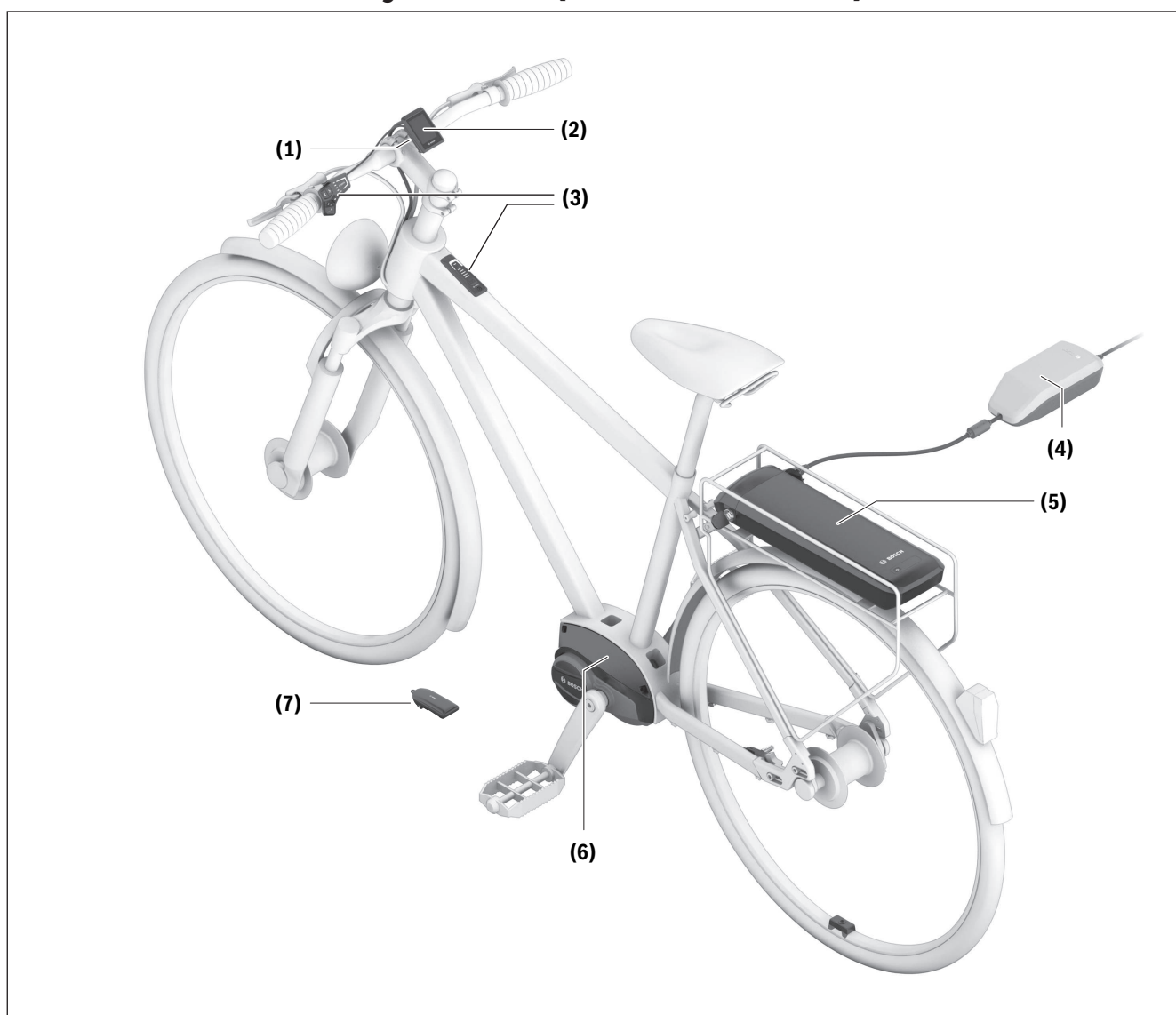
(4) Cargador

(5) Acumulador de bastidor «PowerPack»

(6) Unidad de accionamiento

(7) ConnectModule

Bicycle View (PowerPack Rack)



Componentes del sistema de accionamiento de Bosch

Todas las representaciones de los componentes de la bicicleta, a excepción de las baterías y sus soportes, se muestran de manera esquemática y pueden diferir de su eBike.

(1) Soporte de la pantalla

(2) Pantalla/ordenador de a bordo

(3) Cuadro de mandos

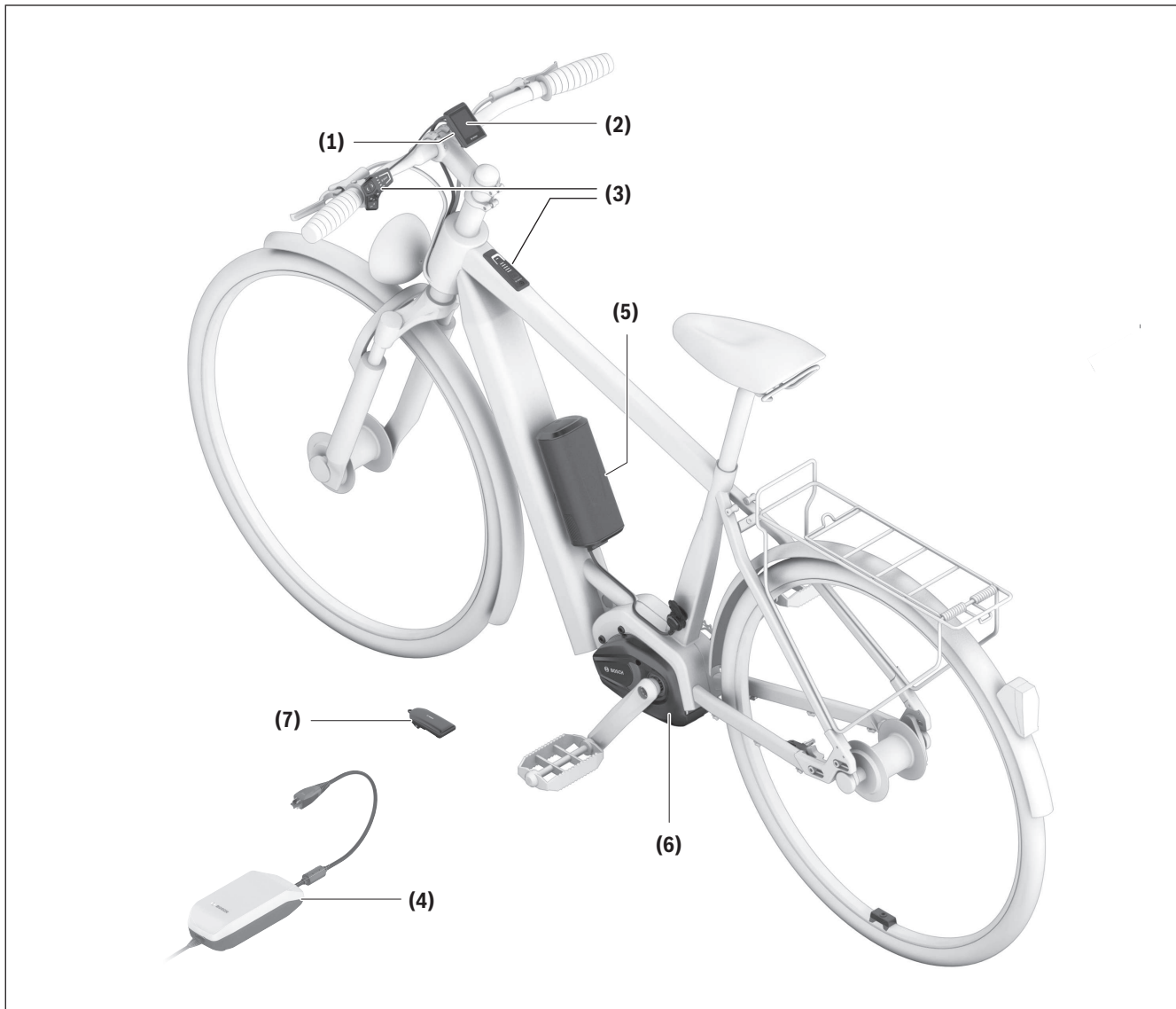
(4) Cargador

(5) Acumulador para portaequipajes «PowerPack»

(6) Unidad de accionamiento

(7) ConnectModule

Bicycle View (PowerMore)



Componentes del sistema de accionamiento de Bosch

Todas las representaciones de los componentes de la bicicleta, a excepción de las baterías y sus soportes, se muestran de manera esquemática y pueden diferir de su eBike.

- (1)** Soporte de la pantalla
- (2)** Pantalla/ordenador de a bordo
- (3)** Cuadro de mandos

- (4)** Cargador
- (5)** Acumulador de bastidor «PowerMore»
- (6)** Unidad de accionamiento
- (7)** ConnectModule

Uso del sistema de accionamiento de Bosch

Preparación para montar en bicicleta

Lea y conozca todas las indicaciones de seguridad y las instrucciones. No seguir las advertencias siguientes puede provocar la muerte o lesiones graves.

- ▶ **Proteja a otras personas de la muerte o de lesiones graves. Evite el uso no autorizado.** Extraiga siempre el acumulador de la bicicleta cuando no se estén usando y guárdelos en un lugar seguro. No asegurar su bicicleta frente a usos no autorizados puede provocar la muerte o lesiones graves a terceros.
- ▶ **Lea y comprenda las influencias en el rango operativo en el cual planifica su viaje** (ver "Influencias sobre la autonomía", Página Español – 12).

Antes de montar en la bicicleta por primera vez

Consulte el manual de usuario de su bicicleta y localice la información importante sobre los componentes de la misma, tales como los frenos, los pedales, las marchas, los cambios, etc.

⚠ ADVERTENCIA

- ▶ **Si posee una discapacidad o minusvalía, como discapacidad visual, auditiva, física, cognitiva/ del habla o padece epilepsia, consulte con su médico antes de utilizar este producto.**
- ▶ **Para reducir el riesgo de sufrir lesiones graves como consecuencia del ejercicio, tome las siguientes precauciones antes de utilizar el producto: no exceda sus propios límites.** El uso del sistema de accionamiento de Bosch requiere distintas intensidades de actividad física.

Consulte con un médico antes de utilizar este dispositivo si padece alguna patología que pueda afectar a su capacidad de realizar actividad física de forma segura o también en los siguientes casos:

- si está o cree que puede estar embarazada

- si tiene problemas de corazón, respiratorios, en la espalda, las articulaciones o sufre otros trastornos ortopédicos;
- si tiene la tensión alta;
- si tiene dificultad para realizar ejercicio físico;
- si su médico le ha prescrito restringir el nivel de actividad física.

- ▶ **Para montar una bicicleta equipada con un sistema de accionamiento de Bosch capaz de alcanzar velocidades de hasta 20 mph se necesita ser experto en ciclismo de carretera.** Este producto le permite alcanzar velocidades mayores de las que está acostumbrado sin la ayuda de una asistencia de motor. También le permite conducir durante más tiempo a mayor velocidad. Una mayor velocidad se traduce en una mayor violencia en caso de una colisión. Controle su bicicleta en todo momento. El riesgo de graves lesiones o de fallecimiento aumenta tanto con la velocidad como con la edad.

Para un uso seguro de este producto, se necesita cumplir con lo siguiente:

- Conocimientos sobre las directrices/normas legales/de seguridad del ciclismo en carretera (conducción segura)
- Habilidad de manejar y controlar una bicicleta de carretera estándar
- Ser un usuario activo y experto de bicicletas
- Conducción segura, competente, cómoda y confiada a velocidades de hasta 20 mph
- Su bicicleta debería ser compatible con su estilo de conducción, estar adaptada a las dimensiones de su cuerpo y estar en buen estado.
- ▶ **No utilice este producto si se encuentra bajo la influencia de drogas o alcohol.**

⚠ ADVERTENCIA

- ▶ **Cuando vaya en la bicicleta, no se distraiga con el ordenador de a bordo y manténgase siempre alerta a todas las condiciones de circulación.** El

ordenador de a bordo debe manejarse únicamente en parado y en una posición segura de arranque. Utilice el cuadro de mandos para cambiar los niveles de asistencia del motor mientras esté circulando.

- ▶ **Consulte el manual de su bicicleta para conocer el peso máximo de circulación de la misma.** Si sobrecarga la bicicleta puede provocar un fallo en los componentes, lo que puede causar la muerte o lesiones graves. Por lo general, el peso de circulación máximo viene definido por la suma del peso del ciclista más el peso del equipaje.
- ▶ **Llevar casco puede evitar lesiones graves en la cabeza. Cuando conduzca, lleve siempre un casco que cumpla o exceda lo dispuesto en las normas sobre seguridad.** Los cascos homologados en EE.UU. deben cumplir las normas de la Comisión de Seguridad de Productos del Consumidor de EE.UU. (CPSC, por sus siglas en inglés). Busque, por tanto, cascos que cumplan las normas de la CPSC.

Utilización reglamentaria

⚠ ADVERTENCIA

- ▶ **Comprenda su bicicleta y el uso que se le va a dar consultando el manual del propietario de la bicicleta.** La utilización de la bicicleta de forma no prevista puede provocar la muerte o lesiones graves.

Los componentes del sistema de accionamiento de Bosch están destinados exclusivamente a su eBike y no pueden utilizarse para otros fines.

Su unidad motriz Bosch no está diseñada para remolcar otra bicicleta. Para el remolque, consulte el manual del propietario de su bicicleta y el manual del propietario del remolque para obtener instrucciones de remolque y compatibilidad con el remolque.

Procedimiento de arranque seguro

ADVERTENCIA

- **Siga el procedimiento de arranque seguro que se recoge a continuación.** Incumplir el procedimiento de arranque seguro puede provocar la muerte o lesiones graves.

Preparación

Antes de empezar, compruebe lo siguiente

- Compruebe que ha desenchufado el cargador
- La batería está asegurada en su sitio (tire de la batería para asegurarse de que está asegurada en su sitio)
- Retire la llave de la batería

Empiece a circular

- Siéntese en la silla con ambos pies tocando el suelo y las dos manos en el manillar.
- Una vez que esté en una posición estable, encienda el ordenador de a bordo Bosch. El sistema motriz de Bosch siempre arranca en el modo **OFF**.
- Coloque ambas manos en el manillar y comience a pedalear.

Indicaciones sobre la conducción con el sistema eBike

¿Cuándo funciona el accionamiento?

El accionamiento le asiste siempre que usted vaya pedaleando. La asistencia cesa cuando deja de pedalear. La potencia de accionamiento depende siempre de la fuerza aplicada al pedalear y la frecuencia de pedaleo.

A baja potencia o frecuencia de pedaleo, la asistencia será menor que a alta potencia o frecuencia de pedaleo. Ello es independiente del nivel de asistencia seleccionado.

El accionamiento se desconecta automáticamente a velocidades superiores a **20 mph**. Si la velocidad cae por debajo de **20 mph**, el accionamiento vuelve a estar disponible automáticamente.

Existe una excepción para la función de asistencia de empuje, en la que la eBike puede desplazarse a poca velocidad sin necesidad de pedalear. Los pedales pueden girar cuando se utiliza el pedaleo asistido.

La eBike se puede utilizar también sin asistencia como una bicicleta normal, ya sea desconectando la eBike o posicionando el nivel de asistencia en **OFF**. Lo mismo aplica con una batería de eBike descargada.

Funcionamiento combinado de la unidad de accionamiento con el cambio de marchas

También en una eBike, el cambio deberá utilizarse igual que en una bicicleta convencional (consulte al respecto las instrucciones de servicio de su eBike). Independientemente del tipo de cambio empleado, es recomendable reducir brevemente la presión sobre los pedales durante el proceso de cambio de marcha. Ello no sólo facilita el cambio de marcha, sino que también reduce el desgaste del mecanismo de accionamiento.

Seleccionando la marcha correcta, usted puede aumentar la velocidad y el alcance aplicando la misma fuerza muscular.

Pruebe la autonomía de su eBike bajo diferentes condiciones antes de planificar viajes más largos y desafiantes.

► **Lea y comprenda las influencias en el rango operativo en el cual planifica su viaje** (ver "Influencias sobre la autonomía", Página Español – 12).

Influencias sobre la autonomía

La autonomía depende de muchos factores, como:

- el nivel de asistencia,
- la velocidad,
- los cambios de marcha,
- el tipo de neumáticos y la presión de los mismos,
- la antigüedad y el estado de la batería de la eBike,
- el perfil de la ruta (subidas) y sus características (superficie de la calzada),
- el viento en contra y la temperatura ambiente, y
- el peso de la eBike, del conductor y del equipaje.

Por este motivo no es posible prever con exactitud la autonomía restante antes de emprender un viaje ni durante el mismo. Sin embargo, como regla general se aplica:

- Con el **mismo** nivel de asistencia del motor: cuanto menos fuerza deba aplicar para alcanzar una velocidad determinada (p. ej. mediante el uso óptimo de las marchas), menos energía consumirá el motor y mayor será la autonomía de la carga de la batería.
- Cuanto **mayor** sea el nivel de asistencia, manteniendo iguales las demás condiciones, tanto menor será la autonomía obtenida.

Nota: Planifique sus rutas de manera que en todo momento pueda alcanzar su destino sin la asistencia del accionamiento.

Transporte

- ▶ **Extraiga siempre la batería (excepto baterías fijas) de la bicicleta antes de transportarla en el portabicicletas de un vehículo.** Si no se extrae la batería al utilizar un portabicicletas, podrían producirse graves lesiones o incluso la muerte. Es posible que la batería se desprenda durante el transporte y cause un accidente a los vehículos que le siguen.
 - ▶ **Utilice en todo caso un portabicicletas homologado y compatible cuando transporte su eBike. El sistema de accionamiento de Bosch incrementa el peso de la bicicleta.** Consulte el manual de su portabicicletas para asegurarse de que la eBike es compatible. Sobrecargar un portabicicletas puede causar la muerte o lesiones graves.
 - ▶ **Utilice técnicas de elevación adecuadas, ya que las bicicletas eléctricas suelen ser más pesadas que las normales.**
- Transporte únicamente baterías cuya carcasa esté intacta. Pegue los contactos abiertos y empaquete la batería de manera que no se mueva dentro del embalaje. Indique al servicio de paquetería que se trata de mercancía peligrosa. Observe también la normativa nacional aplicable. Compruebe siempre las normativas estatales y regionales antes de transportar sus baterías.
- ▶ **Si lleva la eBike en el exterior de su automóvil, por ejemplo en un portaequipajes externo al vehículo, retire el ordenador de a bordo y la batería de la eBike (excepción: batería para eBike instalada de forma permanente), para evitar daños.**
- En todas las consultas referentes al transporte de las baterías de la eBike, diríjase a un distribuidor de bicicletas autorizado. En dichas tiendas puede adquirir también un embalaje de transporte apropiado.

Mantenimiento/limpieza

⚠ ADVERTENCIA

- ▶ **No abra ninguno de los componentes. El mantenimiento debe llevarse a cabo exclusivamente por parte de un distribuidor de eBike de Bosch autorizado.** El incumplimiento de la advertencia anterior puede causar la muerte o lesiones graves. Consulte su manual de la bicicleta o de aquellos componentes del sistema de accionamiento que no sean de Bosch.
- ▶ **Retire siempre la batería antes de realizar cualquier inspección, reparación o trabajo de mantenimiento en la bicicleta.** No retirar la batería antes de realizar cualquier inspección, reparación o trabajo de mantenimiento en la bicicleta puede causar la muerte o lesiones graves.
- ▶ **Si cree que hay algo suelto, no utilice la bicicleta.** Consulte a su distribuidor de eBike de Bosch; solo un proveedor de servicios cualificado puede efectuar trabajos en su sistema de accionamiento de Bosch. Las tuercas, los pernos y los tornillos necesitan la fuerza de apriete correcta. Con una fuerza menor de la necesaria, el cierre podría no estar bien sujeto. Con una fuerza excesiva, el cierre puede estropear las roscas, forzarse, deformarse o romperse. En todo caso, una fuerza de apriete incorrecta puede provocar un fallo en los componentes, lo que le puede hacer perder el control y caer.
- ▶ **Si cambia la batería, adquiera únicamente baterías originales de Bosch en un punto de venta autorizado. Diríjase a su distribuidor de eBike de Bosch para adquirir recambios originales.**
- ▶ **Desconecte siempre la batería cuando la introduzca o extraiga del soporte.** Nunca intente introducir ni extraer la batería con la bicicleta en marcha.
- ▶ **No cargue ni utilice la eBike en lugares con una atmósfera potencialmente explosiva, como gasolineras, ni en zonas en las que el aire contenga productos químicos o partículas (como semillas,**

polvo o polvo de metales). Obedezca todas las señales e instrucciones.

- ▶ **No sumerja los componentes eBike en el agua ni los limpie con una manguera a presión.** El accionamiento de Bosch está diseñado para ser impermeable al agua de lluvia o a una limpieza con manguera sin presión.
- ▶ **Apunte el fabricante y el número de la llave.** Si pierde las llaves, diríjase a un distribuidor de eBike de Bosch autorizado. Facilite el nombre del fabricante y el número de la llave.
- ▶ **No pinte los componentes del sistema de accionamiento de Bosch, ya que eso podría causar un fallo temprano de los mismos.**
- ▶ **Retire la batería de la eBike antes de iniciar cualquier trabajo (por ejemplo: inspección, reparación, montaje, mantenimiento, trabajos en la cadena, etc.) en la eBike. En el caso de las baterías de la eBike instaladas permanentemente, preste especial atención a que la eBike no pueda encenderse.** Existe peligro de lesiones si se activa involuntariamente la eBike.

Manejo cuidadoso de la eBike

Observe la temperatura de funcionamiento y almacenamiento de los componentes de la eBike. Proteja la unidad de accionamiento, el ordenador de a bordo y la batería de la eBike de temperaturas extremas (p. ej. debido a una irradiación solar intensa sin ventilación simultánea). Las temperaturas extremas pueden dañar los componentes (especialmente las baterías de la eBike).

Deje revisar su eBike al menos una vez al año (el sistema mecánico, la actualidad y el software del sistema, entre otros).

Para el servicio o las reparaciones de la eBike, contáctese con un distribuidor de bicicletas autorizado.

Servicio técnico y atención al cliente

En caso de cualquier consulta sobre la eBike y sus componentes, diríjase a un distribuidor de bicicletas autorizado.

Los detalles de contacto de los distribuidores de bicicletas autorizados se pueden encontrar en el sitio web www.bosch-ebike.com.

Si la batería de su eBike ya no funciona, acuda a un distribuidor de bicicletas autorizado.

Limpieza

- ▶ **No sumerja los componentes eBike en el agua ni los limpie con una manguera a presión.** El accionamiento de Bosch está diseñado para ser impermeable al agua de lluvia o a una limpieza con manguera sin presión.

Mantenga limpios los componentes de su eBike, especialmente los contactos del acumulador y del respectivo soporte. Todos los componentes inclusive la unidad motriz no deberán sumergirse en agua ni tratarse con una limpiadora de alta presión. Límpielos con un paño suave y húmedo (utilice únicamente jabón neutro y agua).

Programa de reciclaje de baterías



La unidad de accionamiento, el ordenador de a bordo incl. la unidad de mando, el acumulador para eBike, el sensor de velocidad, los accesorios y los embalajes deben reciclarse de forma respetuosa con el medio ambiente.

¡No arroje eBikes y sus componentes a la basura!



Puede reciclar su paquete de baterías de Bosch llamando al 1.800.822.8837.

Cette notice contient d'importantes informations sur la sécurité, les performances et l'entretien. Lisez-les et comprenez-les ainsi que les informations fournies par le fabricant de votre vélo avant d'utiliser le produit, et conservez-les pour référence ultérieure.

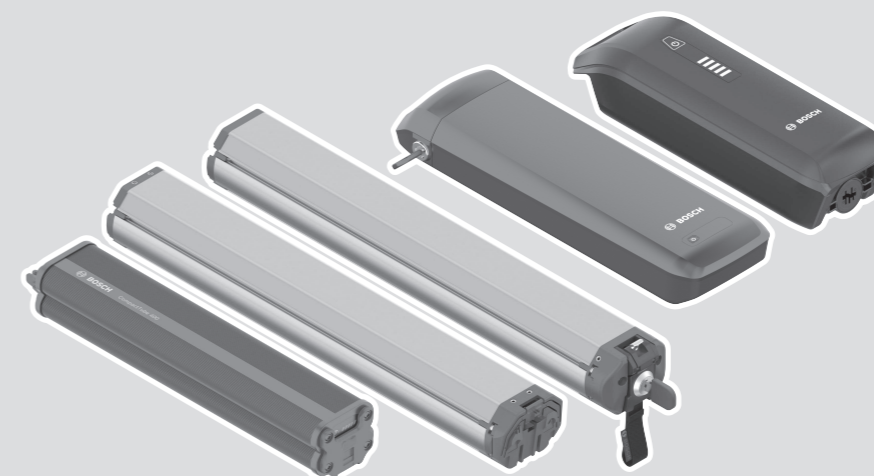
Owner's Manual

CompactTube 400 | PowerTube 500 | 625 | 750 | PowerPack Rack 400 | 500 | PowerPack Frame 400 | 545 | 725 | 800

Robert Bosch GmbH
72757 Reutlingen
Germany

www.bosch-ebike.com

0 275 U07 3PX (2023.03) T / 86



Este manual contiene información importante de seguridad, rendimiento y mantenimiento. Léalo y asegúrese de entenderlo junto con la información que le ha facilitado el fabricante de su bicicleta antes de usar el producto; guárdelo a modo de referencia.

en Original operating instructions
fr Notice d'utilisation d'origine
es Instrucciones de servicio originales

This manual contains important safety, performance and service information. Read and understand it along with the information provided to you by your bicycle manufacturer before using the product, and keep it for reference.



CompactTube

BBP3245

BBP3246

BBP3247

PowerTube

BBP3755

BBP3756

BBP3765

BBP3766

BBP3775

BBP3776

PowerPack Rack

BBP3345

BBP3355

PowerPack Frame

BBP3545

BBP3556

BBP3575

BBP3585

Table of contents

Introduction	2
About Warnings	2
General Warnings	2
Using your Manual	3
On-product warning labels	4
Handling the lithium-ion battery pack	7
Safety warnings for Bosch eBike batteries	7
Product description and specifications	9
Fitting	17
Operation	24
Transport	24
Maintenance/cleaning	25
Storing	26
Troubleshooting	27
Battery Recycling Program	28

Introduction

About Warnings

This manual contains many **DANGER**, **WARNING**, and **CAUTION** indicators concerning the consequences of failure to use, assemble, maintain, store, inspect and dispose of a Bosch-equipped eBike in a safe manner.

– The combination of the safety alert symbol and the word **DANGER** indicates a hazardous situation that, if not avoided, will result in death or serious injury.

– The combination of the safety alert symbol and the word **WARNING** indicates a hazardous situation that, if not avoided, could result in death or serious injury.

– The combination of the safety alert symbol and the word **CAUTION** indicates a hazardous situation that, if not avoided, could result in minor or moderate injury.

General Warnings



Read all safety warnings and all instructions. Failure to follow the warnings and instructions may result in death or serious injury.

Save all safety warnings and instructions for future reference.

The term **eBike battery** used in these operating instructions refers to all original Bosch eBike batteries from the system generation **the smart system**.

► **Read ALL accompanying manuals before riding the bike for the first time.** Your Bosch Drive System comes with additional manuals and documents provided by the manufacturer of the bicycle and other components. Failure to read and understand safety information can result in death or serious injury.

WARNING

► **This manual contains important safety, performance and service information.** Read it before you take the first ride on your new bicycle, and keep it for reference. The manual can also be found online at www.bosch-ebike.com.

► **This manual is intended to be read together with the separate user manual provided with your bicycle.** Be sure to read all provided documents including labels on the product before your first ride.

► **Take responsibility for your own SAFETY.** If you have any questions or do not understand something, consult with your dealer or the bicycle or component manufacturer.

► **Some eBike accessories may present a choking hazard to small children.** Keep these accessories away from children.

CAUTION

► **The Bosch Drive System adds weight to your bicycle which you may not be used to lift.** Avoid injury, use proper lifting techniques.

Using your Manual

In addition to the functions outlined here, changes to software relating to troubleshooting and functional modifications may be introduced at any time.

Graphics

The bicycle shown in this manual may differ slightly from your bicycle, but will be similar enough to help you understand our instructions.

RIGHT-HAND and LEFT-HAND sides are determined by facing in the direction the bicycle will travel when going forward. When you see a broken line (-----), the item referred to is hidden from view.

On-product warning labels

A



BOSCH
Robert Bosch GmbH
72757 Reutlingen
Germany
www.bosch-ebike.com







!!! 警告: 使用前に取扱説明書を読むこと。分解、改造、端子の短絡、火気への投入禁止。故障が疑われる時は使用を停止する。専用充電器を使用すること。

!!! 주의사항: 1. 사용전 반드시 사용설명서를 읽어주시기 바랍니다. 2. 비오는 날이나 가연성 폭발물 근처에서는 사용하지 마세요.





Li-ion 20

⚠ WARNING To reduce the risk of injury, explosion, or fire, user must read instruction manual. Charge battery only with Bosch eBike chargers. • Do not crush, puncture, disassemble, short terminals, or dispose in fire. • Do not use battery once it has been impacted, sustained water damage or visibly damaged.

⚠ AVERTISSEMENT L'utilisateur doit lire le mode d'emploi pour réduire le risqué de blessure, d'explosion ou d'incendie. • Ne charger la pile qu'avec un chargeur Bosch eBike. • Ne pas écraser, perforer, démonter, court-circuiter les bornes ou jeter dans un feu. • Ne pas réutiliser la pile si elle a subi un choc, des dégâts causés par l'eau ou d'autres dommages visibles.

B



BOSCH
Robert Bosch GmbH
72757 Reutlingen
Germany
www.bosch-ebike.com







警告: 可充電之二次鋰電池組; 依照說明書指示使用電池。使用專用充電器。廢電池請回收。

!!! 警告: 使用前に取扱説明書を読むこと。分解、改造、端子の短絡、火気への投入禁止。故障が疑われる時は使用を停止する。専用充電器を使用すること。

!!! 주의사항: 1. 사용전 반드시 사용설명서를 읽어주시기 바랍니다. 2. 비오는 날이나 가연성 폭발물 근처에서는 사용하지 마세요.





Li-ion 20

⚠ WARNING To reduce the risk of injury, explosion, or fire, user must read instruction manual. Charge battery only with Bosch eBike chargers. • Do not crush, puncture, disassemble, short terminals, or dispose in fire. • Do not use battery once it has been impacted, sustained water damage or visibly damaged.

⚠ AVERTISSEMENT L'utilisateur doit lire le mode d'emploi pour réduire le risqué de blessure, d'explosion ou d'incendie. • Ne charger la pile qu'avec un chargeur Bosch eBike. • Ne pas écraser, perforer, démonter, court-circuiter les bornes ou jeter dans un feu. • Ne pas réutiliser la pile si elle a subi un choc, des dégâts causés par l'eau ou d'autres dommages visibles.

C



BOSCH
Robert Bosch GmbH
72757 Reutlingen
Germany
www.bosch-ebike.com







⚠ WARNING To reduce the risk of injury, explosion, or fire, user must read instruction manual. Charge battery only with Bosch eBike chargers. • Do not crush, puncture, disassemble, short terminals, or dispose in fire. • Do not use battery once it has been impacted, sustained water damage or visibly damaged.

⚠ AVERTISSEMENT L'utilisateur doit lire le mode d'emploi pour réduire le risqué de blessure, d'explosion ou d'incendie. • Ne charger la pile qu'avec un chargeur Bosch eBike. • Ne pas écraser, perforer, démonter, court-circuiter les bornes ou jeter dans un feu. • Ne pas réutiliser la pile si elle a subi un choc, des dégâts causés par l'eau ou d'autres dommages visibles.

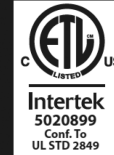
D

BOSCH
Robert Bosch GmbH
72757 Reutlingen
Germany



WARNING To reduce the risk of injury, explosion, or fire, user must read instruction manual. Charge battery only with Bosch eBike chargers. • Do not crush, puncture, disassemble, short terminals, or dispose in fire. • Do not use battery once it has been impacted, sustained water damage or visibly damaged.

AVERTISSEMENT L'utilisateur doit lire le mode d'emploi pour réduire le risque de blessure, d'explosion ou d'incendie. • Ne charger la pile qu'avec un chargeur Bosch eBike. • Ne pas écraser, perforer, démonter, court-circuiter les bornes ou jeter dans un feu. • Ne pas réutiliser la pile si elle a subi un choc, des dégâts causés par l'eau ou d'autres dommages visibles.



E

BOSCH
Robert Bosch GmbH
72757 Reutlingen
Germany
www.bosch-ebike.com



WARNING To reduce the risk of injury, explosion, or fire, user must read instruction manual. • Do not crush, puncture, disassemble, short terminals, or dispose in fire. • Do not use battery once it has been impacted, sustained water damage or visibly damaged. • Charge battery only with Bosch eBike chargers.

AVERTISSEMENT L'utilisateur doit lire le mode d'emploi pour réduire le risque de blessure, explosion ou d'incendie. • Ne pas écraser, perforer, démonter, court-circuiter les bornes ou jeter dans un feu. • Ne pas réutiliser la pile si elle a subi un choc, des dégâts causés par l'eau ou d'autres dommages visibles. • Ne charger la pile qu'avec un chargeur Bosch eBike.



警告
使用前に取扱説明書を読むこと
分解、改造、端子の短絡、火気への投入禁止
故障が疑われる時は使用を停止すること
専用充電器を使用すること

경고, 警告
주의사항1. 사용 전 반드시 사용 설명서를 읽어 주시기 바랍니다.
2. 비오늘날이나 가연성 폭발물 근처에서는 사용하지 마세요.
可充電之二次鋰電池組 依照說明書指示使用電池, 使用
專用充電器, 廢電池請回收





A-C Safety instructions for PowerPack Frame

Note: The depicted labels may differ from the labels on the product.

D Safety instructions for PowerPack Rack

E Safety instructions for PowerTube

F Safety Instructions for CompactTube

► **Warning labels have been placed on the Bosch eBike System for your protection. Read and follow the instructions of the labels on the product carefully. If a label becomes illegible or comes off, contact your Bosch bicycle dealer to obtain a replacement.** Replacement safety labels are provided by Bosch at no charge.

Handling the lithium-ion battery pack

Safety warnings for Bosch eBike batteries



Read and understand all safety warnings and instructions. Failure to

follow the below warnings could result in death or serious injury.

Save all safety warnings and instructions for future reference.

The term **eBike battery** used in these operating instructions refers to all original Bosch eBike batteries from the system generation **the smart system**.

The terms **drive** and **drive unit** used in these operating instructions refer to all original Bosch drive units from the system generation **the smart system**.

The term **charger** is used in these instructions to mean all original Bosch chargers from the system generation **the smart system**.

- ▶ **Read and observe the safety warnings and instructions in all operating instructions of the eBike system and your eBike.**
- ▶ **Remove the eBike battery from the eBike before beginning work (e.g. inspection, repair, assembly, maintenance, work on the chain, etc.) on the eBike. When working on permanently installed eBike batteries, take particular care to ensure that the eBike cannot be switched on.** Unintentional activation of the eBike poses a risk of injury.
- ▶ **Do not remove permanently installed eBike batteries yourself. Permanently installed eBike batteries must only be installed and removed by authorized bicycle retailers.**

⚠ DANGER

- ▶ **Do not puncture or crush the battery pack. Do not impact the battery pack or modify it in any way.** Do not use the battery pack if it shows visible damage. Danger of fire or explosion which can cause death or serious injury.



Protect the battery pack against heat (e.g., temperature > 140 °F), fire and immersing into water. Danger of explosion.

⚠ WARNING

- ▶ **Use only original Bosch battery packs approved for your eBike by the manufacturer and purchased from a credible source.** Use of non-approved or counterfeit battery packs can lead to death or serious injury.
- ▶ **Do not open the eBike battery.** There is a risk of short-circuiting. Opening the eBike battery voids any and all warranty claims.
- ▶ **When the eBike battery is not in use, keep it away from paper clips, coins, keys, nails, screws or other small metal objects that could make a connection from one terminal to another.** A short circuit between the terminals may cause burns or a fire. Short circuit damage which occurs in this instance voids any and all warranty claims against Bosch.
- ▶ **Avoid mechanical loads and exposure to high temperatures.** These can damage the battery cells and cause the flammable contents to leak out.
- ▶ **Do not place the charger or the eBike battery near flammable materials. Ensure the eBike battery is completely dry and placed on a fireproof surface before charging.** There is a risk of fire due to the heat generated during charging.
- ▶ **The eBike battery must not be left unattended while charging.**
- ▶ **If used incorrectly, the eBike battery may leak fluid; avoid contact. If contact occurs, rinse off with water. If the liquid comes into contact with your eyes, seek additional medical attention.** Fluid ejected from the battery may cause skin irritation or burns.

- ▶ **eBike batteries must not be subjected to mechanical shock.** There is a risk of the eBike battery being damaged.
- ▶ **The eBike battery may give off fumes if it becomes damaged or is used incorrectly. Ensure the area is well ventilated and seek medical attention should you experience any adverse effects.** The fumes may irritate the respiratory system.
- ▶ **Do not charge or use your eBike in any area with a potentially explosive atmosphere, such as at a fueling area, or in areas where the air contains chemicals or particles (such as grain, dust, or metal powders).** Obey all signs and instructions.
- ▶ **Only charge the eBike battery using an original Bosch charger from the system generation the smart system.** When using chargers made by other manufacturers, the risk of fire cannot be excluded.
- ▶ **Use the eBike battery only in conjunction with eBikes from the system generation the smart system.** This is the only way in which you can protect the eBike battery against dangerous overload.
- ▶ **Use only original Bosch eBike batteries from the system generation the smart system that the manufacturer has approved for your eBike.** Using other eBike batteries can lead to injuries and pose a fire hazard. Bosch accepts no liability or warranty claims if other eBike batteries are used.
- ▶ **Keep the eBike battery away from children.**

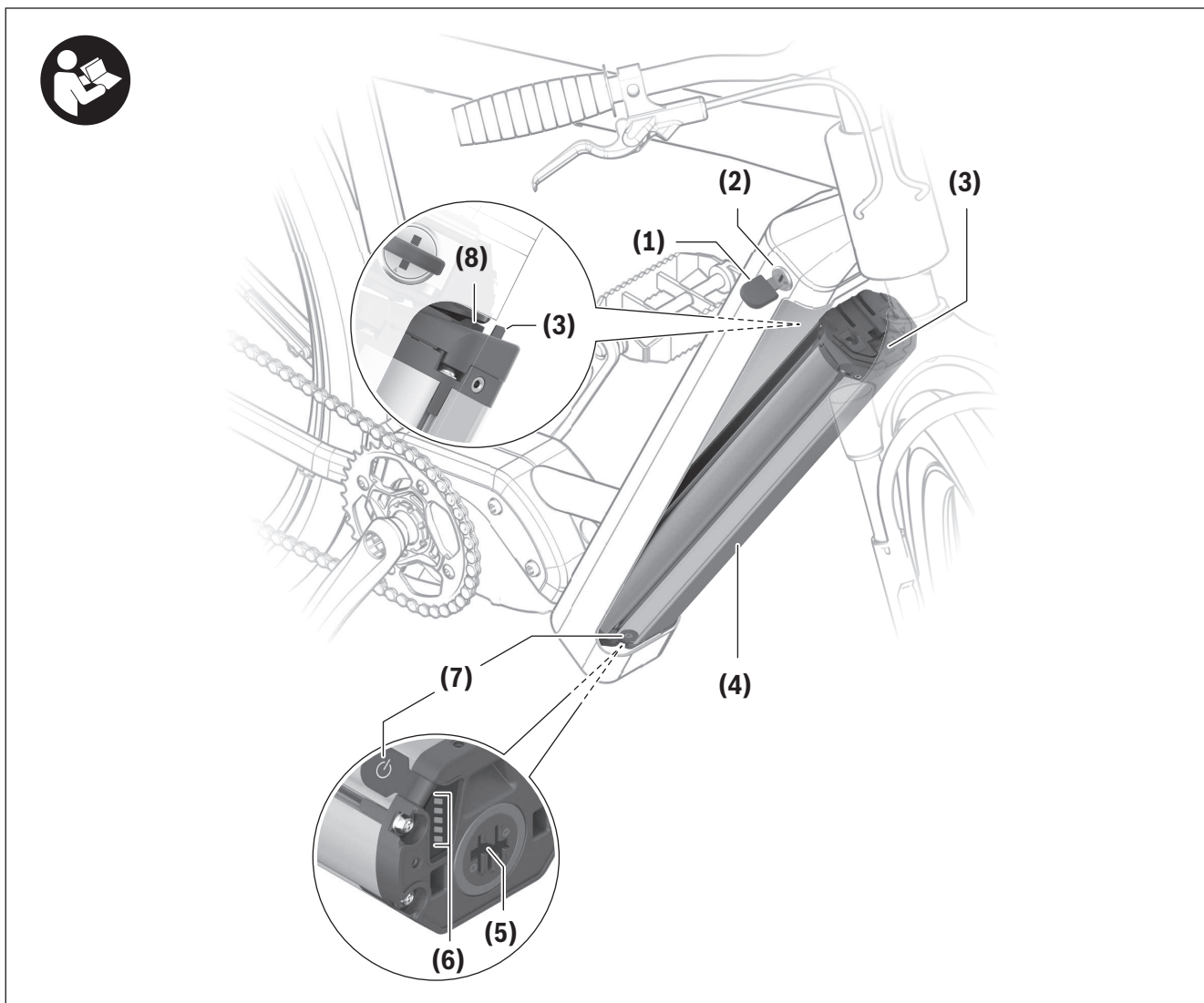
The safety of both our customers and our products is important to us. Our eBike batteries are lithium-ion batteries which have been developed and manufactured in accordance with the latest technology. We comply with or exceed the requirements of all relevant safety standards. When charged, lithium-ion batteries contain a high level of energy. If a fault occurs (which may not be detectable from the outside), in very rare cases and under unfavorable conditions, lithium-ion batteries can catch fire.

Privacy notice

When connecting the eBike to the **Bosch Diagnostic-Tool 3** or when exchanging eBike components, technical information about your eBike (e.g. manufacturer, model, bike ID, configuration data) as well as regarding the use of the eBike (e.g. total travel time, energy consumption, temperature) is transmitted to Bosch eBike Systems (Robert Bosch GmbH) for processing your request, in service cases and for the purposes of product improvement. More information on data processing can be found at www.bosch-ebike.com/privacy-full.

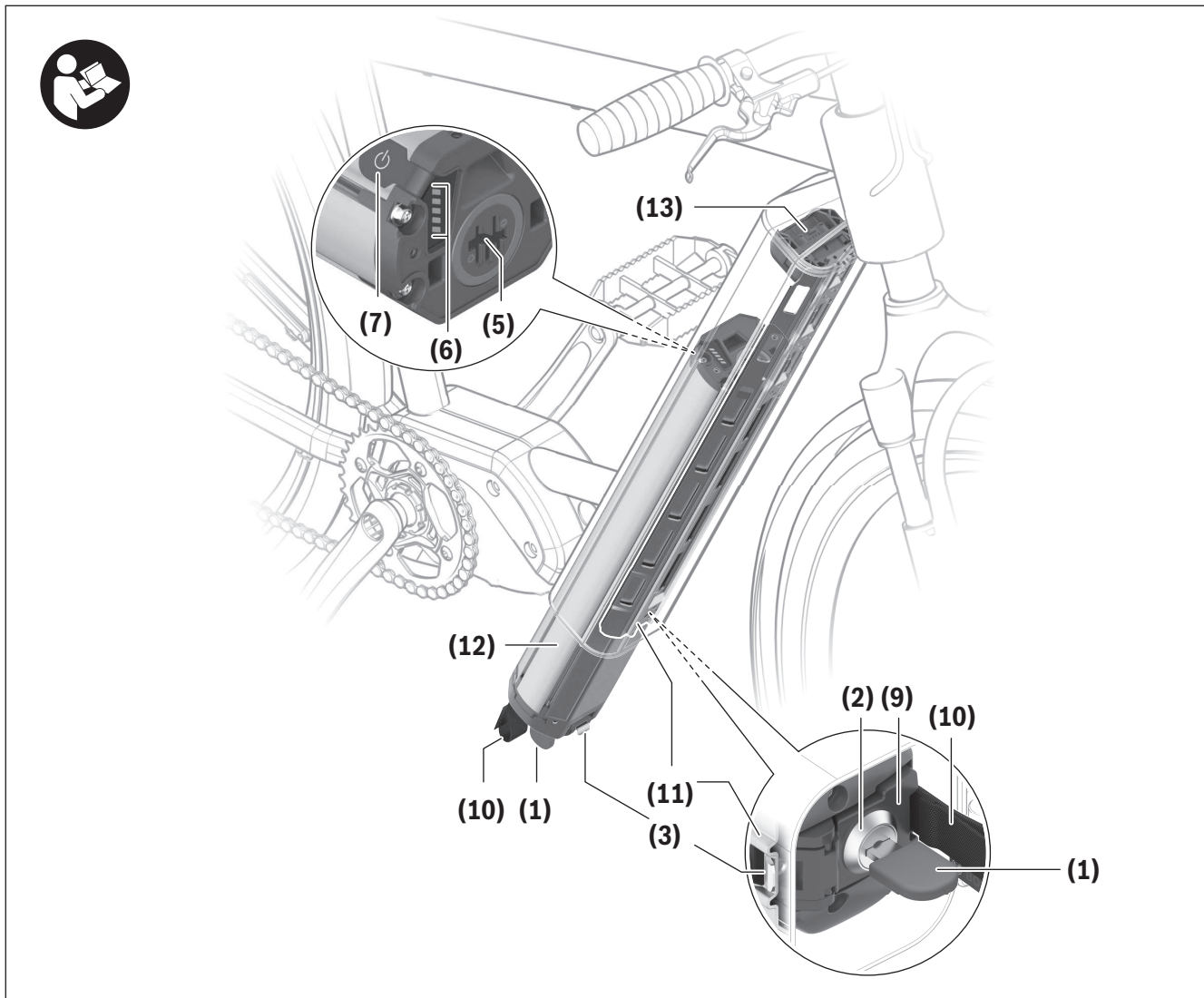
Product description and specifications

Product features PowerTube



All representations of bike components are schematic and can deviate from your eBike.

- (1)** Key for the battery lock
- (2)** Battery lock
- (3)** PowerTube battery safety hook
- (4)** PowerTube battery (pivot)
- (5)** Socket for charging connector
- (6)** Operation/battery charge indicator
- (7)** On/off button
- (8)** PowerTube battery safety restraint

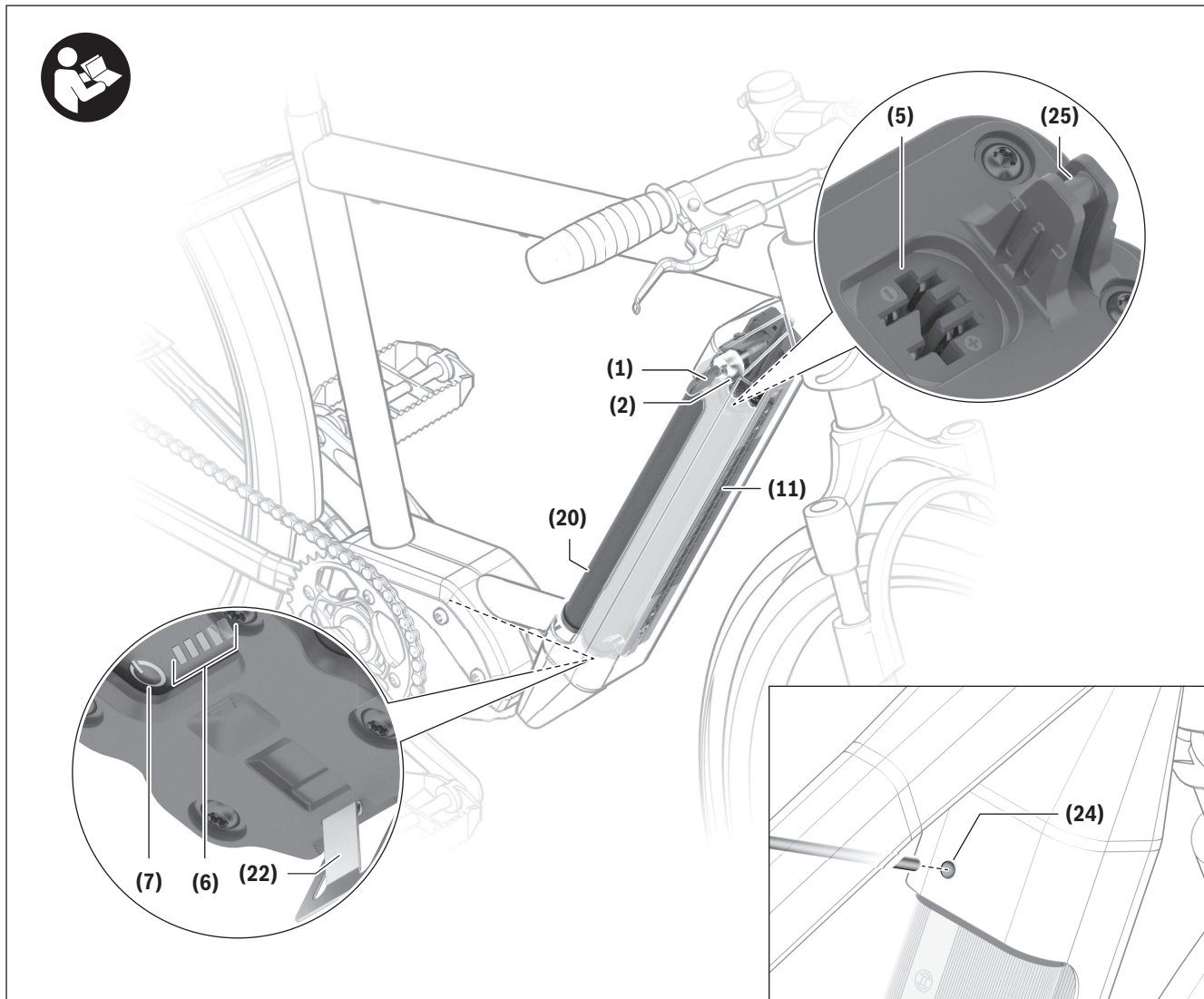


All representations of bike components are schematic and can deviate from your eBike.

- (1)** Key for the battery lock
- (2)** Battery lock
- (3)** PowerTube battery safety hook
- (5)** Socket for charging connector
- (6)** Operation/battery charge indicator
- (7)** On/off button
- (9)** Locking mechanism
- (10)** Pull strap
- (11)** Axial rail

- (12)** PowerTube battery (axial)
- (13)** Upper axial PowerTube holder

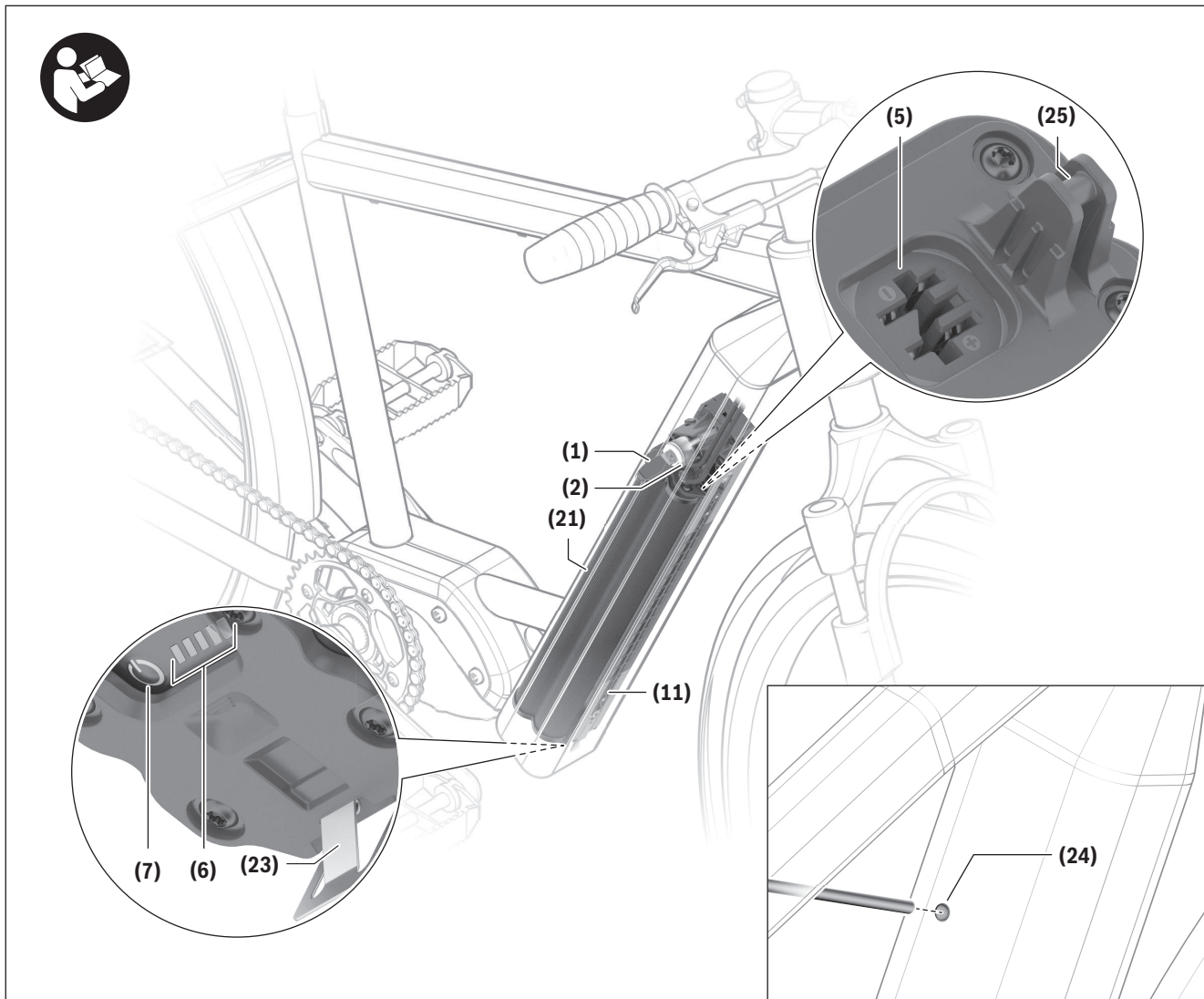
Product Features CompactTube



All representations of bike components are schematic and can deviate from your eBike.

- (1)** Key for the battery lock
- (2)** Battery lock
- (5)** Socket for charging connector
- (6)** Operation/battery charge indicator
- (7)** On/off button
- (9)** Locking mechanism
- (11)** Axial rail
- (20)** CompactTube battery (pivot)
- (22)** Safety restraint for CompactTube battery (pivot)
- (24)** CompactTube unlocking element^{a)}
- (25)** CompactTube holding element

a) Designs may vary



All representations of bike components are schematic and can deviate from your eBike.

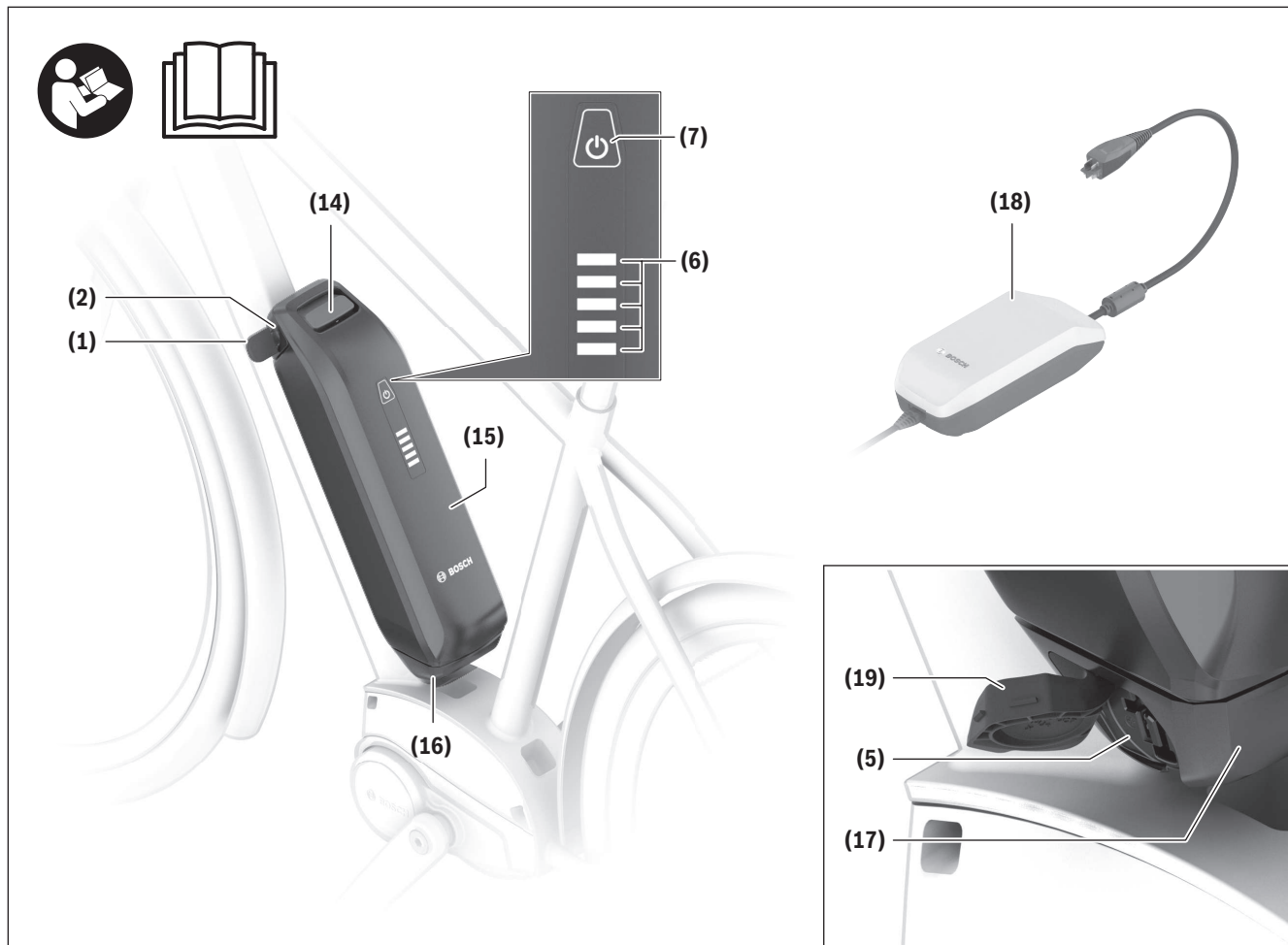
- (1)** Key for the battery lock
- (2)** Battery lock
- (5)** Socket for charging connector
- (6)** Operation/battery charge indicator
- (7)** On/off button
- (9)** Locking mechanism
- (11)** Axial rail
- (21)** CompactTube battery (axial)
- (23)** Safety restraint for CompactTube battery (axial)

(24) CompactTube unlocking element^{a)}

(25) CompactTube holding element

a) Designs may vary

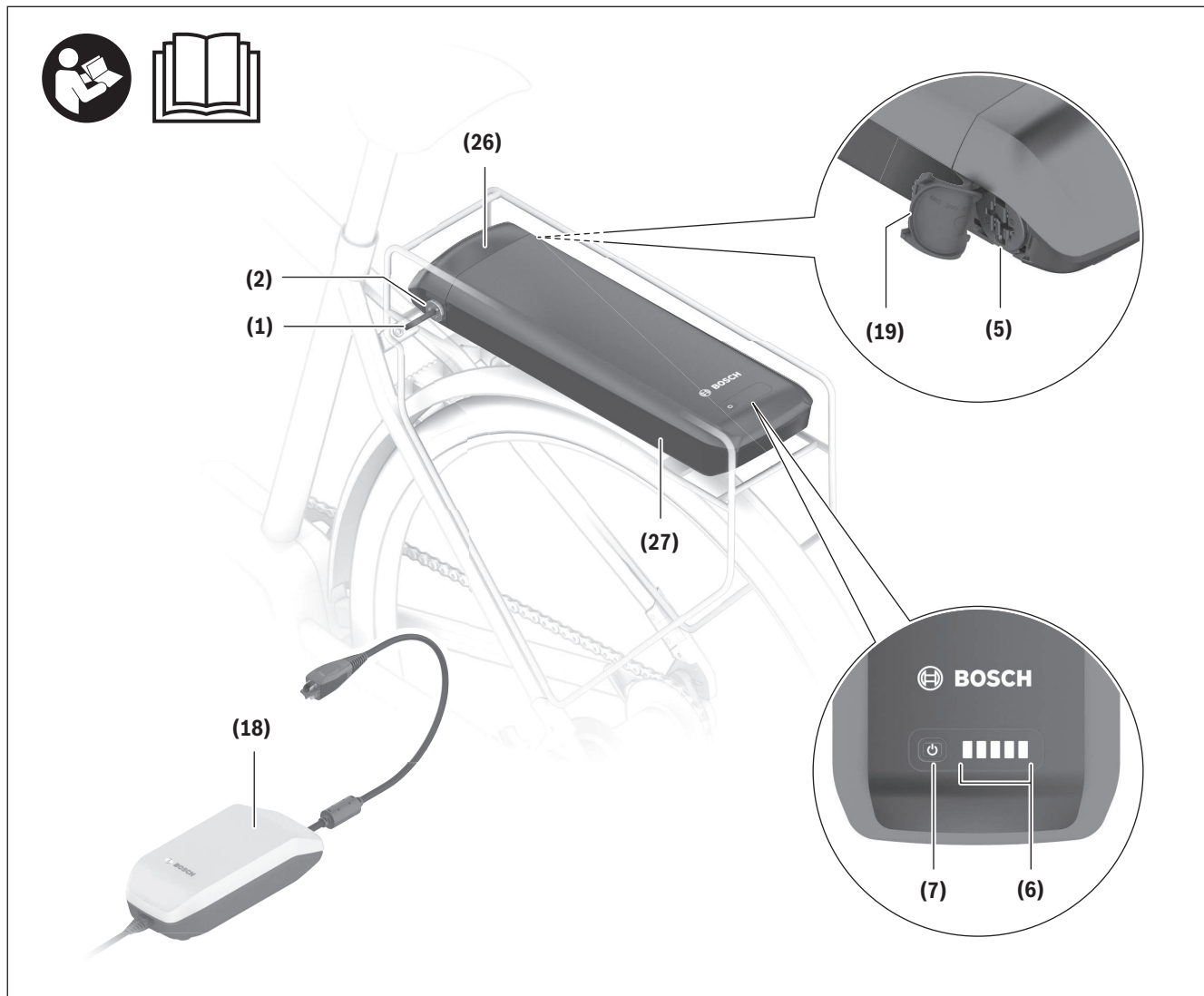
Product Feature PowerPack Frame



All representations of bike components are schematic and can deviate from your eBike.

- (1)** Key for the battery lock
- (2)** Battery lock
- (5)** Socket for charging connector
- (6)** Operation/battery charge indicator
- (7)** On/off button
- (14)** Upper holder for PowerPack battery
- (15)** PowerPack battery
- (16)** Lower holder for PowerPack battery (socket without charging option)
- (17)** Lower holder for PowerPack battery (socket with charging option)
- (18)** Charger
- (19)** Charging socket cover

Product Features PowerPack Rack



All representations of bike components are schematic and can deviate from your eBike.

(27) Rack-mounted battery

- (1)** Key for the battery lock
- (2)** Battery lock
- (5)** Socket for charging connector
- (6)** Operation/battery charge indicator
- (7)** On/off button
- (18)** Charger
- (19)** Charging socket cover
- (26)** Rack-mounted battery holder

Intended Use

The Bosch eBike batteries of the system generation **the smart system** are intended exclusively for the power supply of your drive unit of the system generation **the smart system** and must not be used for any other purpose.

Technical data

Li-ion battery		CompactTube 400	PowerTube 500	PowerTube 625	PowerTube 750
Product code	Horizontal	BBP3245 BBP3247	BBP3755	BBP3765	BBP3775
Product code	Vertical	BBP3246 BBP3247	BBP3756	BBP3766	BBP3776
Rated voltage	V=	36	36	36	36
Nominal capacity	Ah	11	13.4	16.7	20.1
Energy	Wh	400 ^{A)}	500 ^{A)}	625 ^{A)}	750 ^{A)}
Operating temperature	°F	23 to 104	23 to 104	23 to 104	23 to 104
Storage temperature	°F	50 to 104	50 to 104	50 to 104	50 to 104
Permitted charging temperature range	°F	32 to 104	32 to 104	32 to 104	32 to 104
Weight, approx.	lbs	4.4	6.6	7.9	9.6
Protection rating		IP55	IP55	IP55	IP55

A) Advertised battery energy capacity is an approximation. Due to manufacturing tolerances measured capacity may not always match the advertised capacity.

English – 16

Li-ion battery		PowerPack Frame 400	PowerPack Frame 545	PowerPack Frame 725	PowerPack Frame 800
Product code		BBP3545	BBP3556	BBP3575	BBP3585
Rated voltage	V=	36	36	36	36
Nominal capacity	Ah	11.1	14.4	19.2	22.2
Energy	Wh	400 ^{A)}	545 ^{A)}	725 ^{A)}	800 ^{A)}
Operating temperature	°F	23 to 104	23 to 104	23 to 104	23 to 104
Storage temperature	°F	50 to 104	50 to 104	50 to 104	50 to 104
Permitted charging temperature range	°F	32 to 104	32 to 104	32 to 104	32 to 104
Weight, approx.	lbs	4.8	6.6	8.8	8.6
Protection rating		IP55	IP55	IP55	IP55

A) Advertised battery energy capacity is an approximation. Due to manufacturing tolerances measured capacity may not always match the advertised capacity.

Li-ion battery		PowerPack Rack 400	PowerPack Rack 500
Product code		BBP3345	BBP3355
Rated voltage	V=	36	36
Nominal capacity	Ah	10.8	13.6
Energy	Wh	400 ^{A)}	500 ^{A)}
Operating temperature	°F	23 to 104	23 to 104
Storage temperature	°F	50 to 104	50 to 104
Permitted charging temperature range	°F	32 to 104	32 to 104
Weight, approx.	lbs	5.9	6.1
Protection rating		IP55	IP55

A) Advertised battery energy capacity is an approximation. Due to manufacturing tolerances measured capacity may not always match the advertised capacity.

Fitting

- ▶ **Ensure the eBike battery is placed on clean surfaces only.** Avoid getting dirt, e.g. sand or soil, in the charging socket and contacts in particular.

Testing the eBike Battery Before Using it for the First Time

Test the eBike battery before charging it for the first time or using it in your eBike.

To do this, press the on/off button **(7)** to switch the eBike battery on. If none of the LEDs on the battery charge indicator **(6)** lights up, the eBike battery may be damaged.

If at least one (but not all) of the LEDs on the battery charge indicator **(6)** lights up, the eBike battery will need to be fully charged before using it for the first time.

- ▶ **Do not charge or use eBike batteries if they are damaged.** Contact an authorized bicycle dealer.

Charging the eBike Battery

- ▶ **A Bosch eBike battery of the smart system generation of systems must only be charged using an original Bosch charger from the smart system generation of systems.**

Note: The eBike battery is supplied partially charged. To ensure full capacity of the eBike battery, fully charge the battery in the charger before using it for the first time.

To charge the eBike battery, read and follow the instructions in the operating manual for the charger. The eBike battery can be charged at any state of charge. Interrupting the charging process does not damage the eBike battery.

The eBike battery has a temperature monitoring function that only allows it to be charged within a temperature range of **32 °F** to **104 °F**.



If the temperature of the eBike battery is outside this charging range, three of the LEDs on the battery charge indicator **(6)** will

flash. Disconnect the eBike battery from the charger and let it reach the correct temperature range.

CAUTION

- ▶ **Do not connect the battery pack to the charger until it has reached the allowable charging temperature.**

Battery charge indicator outside of the eBike

The five LEDs on the battery charge indicator **(6)** indicate the battery's state of charge when the eBike battery is switched on.

Each LED represents approximately 20 % of the charging capacity. When the eBike battery is fully charged, all five LEDs will be lit.

The eBike battery's state of charge when switched on is also shown on the display of the on-board computer. Read and follow the instructions in the operating manuals for the drive unit and on-board computer.

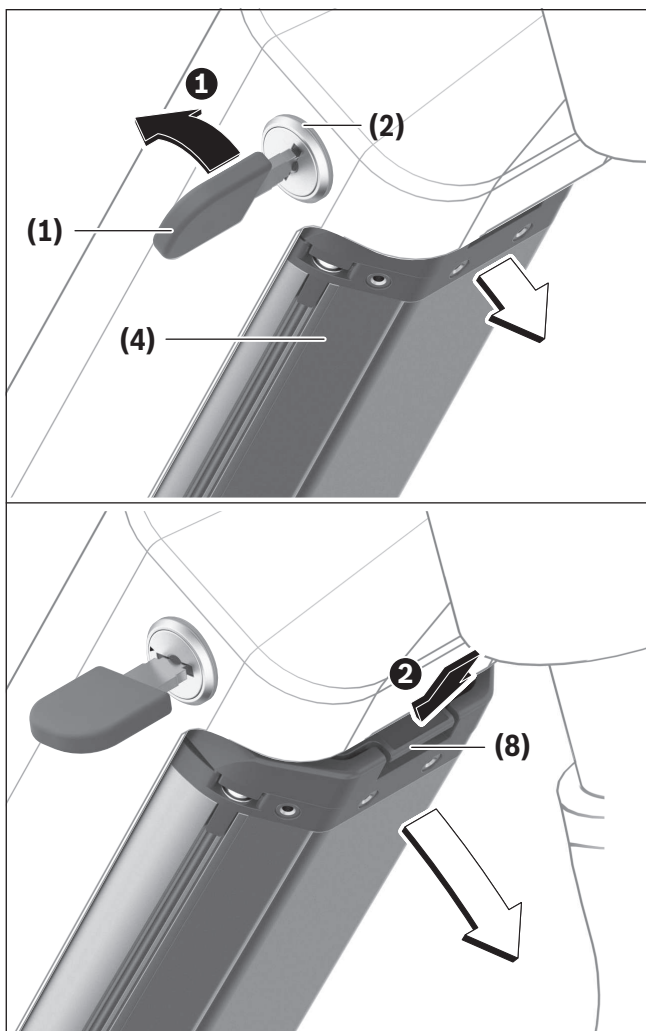
If the eBike battery's capacity is less than 10 %, the last remaining LED will flash.

Once charging is complete, disconnect the eBike battery from the charger and the charger from the mains.

Inserting and Removing the eBike Battery

- ▶ **When inserting the battery into the holder or removing it from the holder, always switch off the eBike battery and the eBike beforehand.**
- ▶ **Once you have inserted the eBike battery, check that it is correctly positioned and secure in all directions.**

Removing the PowerTube Battery (pivot)



❶ To remove the PowerTube battery (4), open the battery lock (2) using the key (1). The battery will be unlocked and fall into the safety restraint (8).

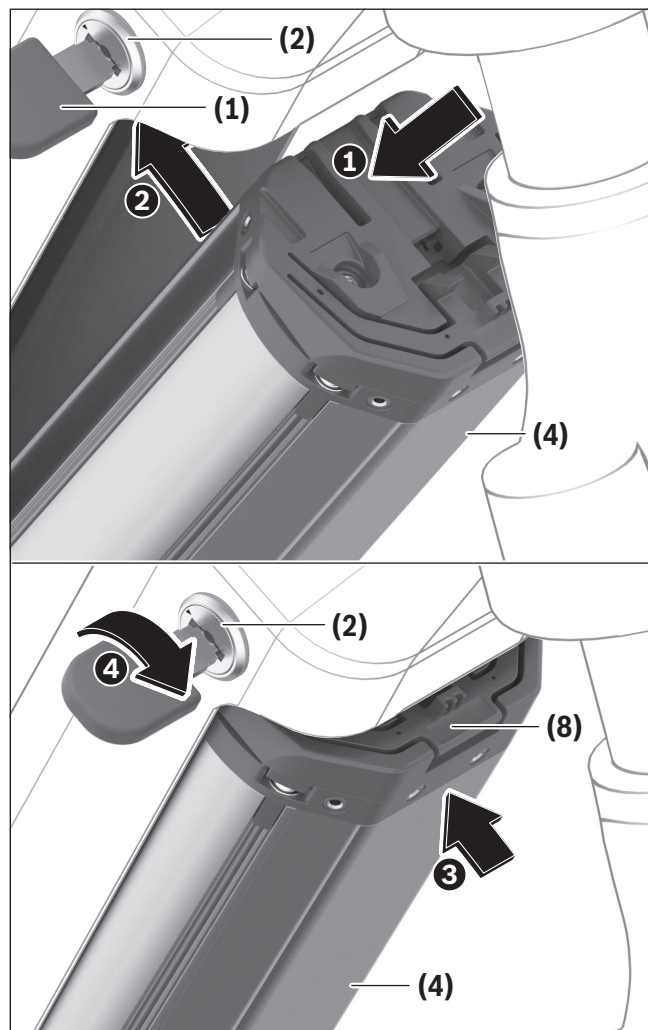
Note: When removing the eBike battery, hold it firmly in your hand.

❷ Hold the battery firmly and press on the safety restraint (8) from above. The battery will be unlocked completely and fall into your hand. Then pull the battery out of the frame.

Note: As a result of **varying** designs, the battery may need to be inserted and removed using a different

method. Read the eBike manufacturer's operating instructions.

Inserting the PowerTube Battery (pivot)



In order for the battery to be inserted, the key (1) must be inserted into the battery lock (2) and the battery lock must be open.

❶ To insert the PowerTube battery (4), place it so that its contacts are in the lower holder of the frame.

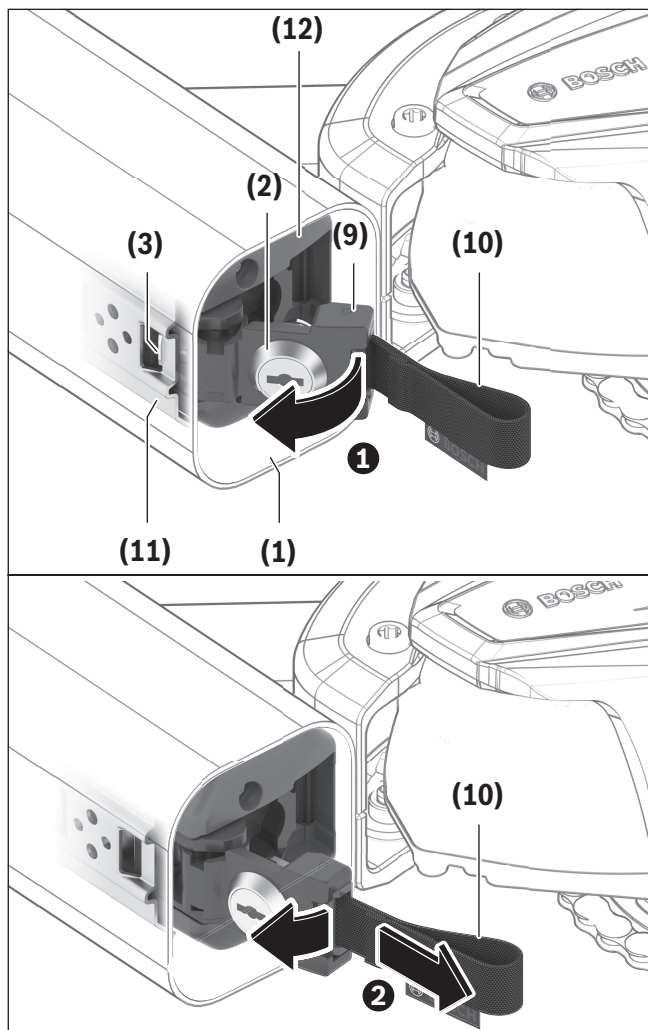
❷ Twist the battery upwards until it is held by the safety restraint (8).

❸ Hold the battery lock open with the key and press the battery upwards until you hear it click into place.

- ④ Always secure the battery by closing the battery lock (2) – otherwise the battery lock may open and the battery may fall out of the holder.

Always remove the key (1) from the battery lock (2) after locking it. This prevents both the key from falling out and the eBike battery from being removed by unauthorized third parties when the eBike is not in use.

Removing the PowerTube Battery (axial)

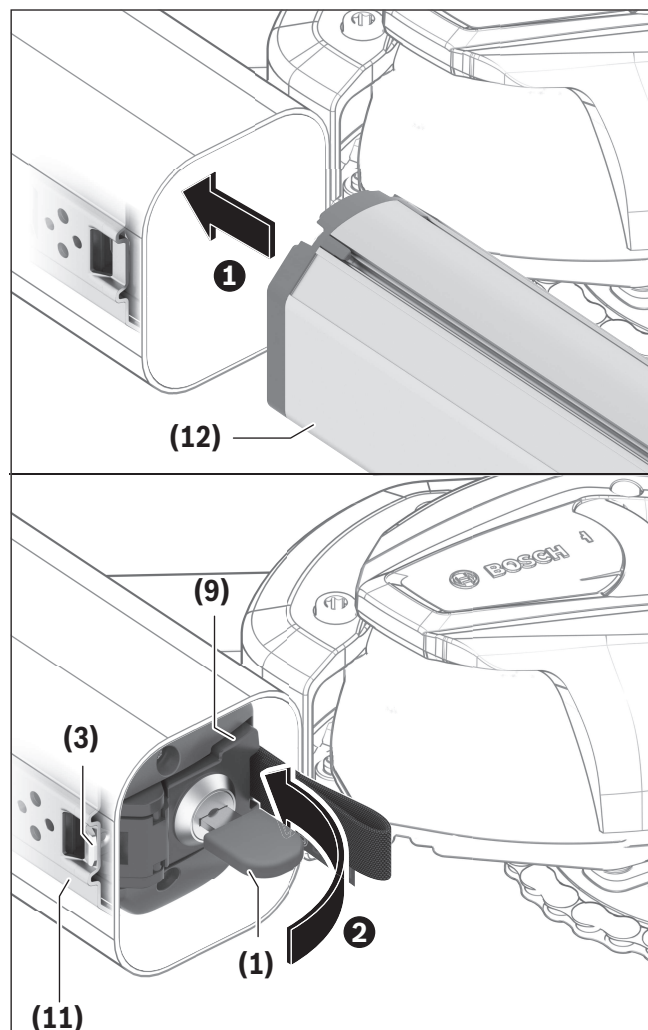


- ① To remove the PowerTube battery (12), open the battery lock (2) using the key (1), remove the key (1) and fold the locking mechanism (9) to the side.

- ② Use the pull strap (10) to pull the battery (12) out of the frame and keep hold of it so that it does not fall out of the frame.

Note: As a result of **varying** designs, the battery may need to be inserted and removed using a different method. Read the eBike manufacturer's operating instructions.

Inserting the PowerTube Battery (axial)



In order for the battery to be inserted, the locking mechanism (9) must be folded to the side. At this point, the key (1) must not be inserted in the battery lock (2).

- ① To insert the PowerTube battery, insert it into the frame with the socket for the charging con-

nector **(5)** facing upwards until the battery clicks into place. Ensure that the battery is aligned correctly.

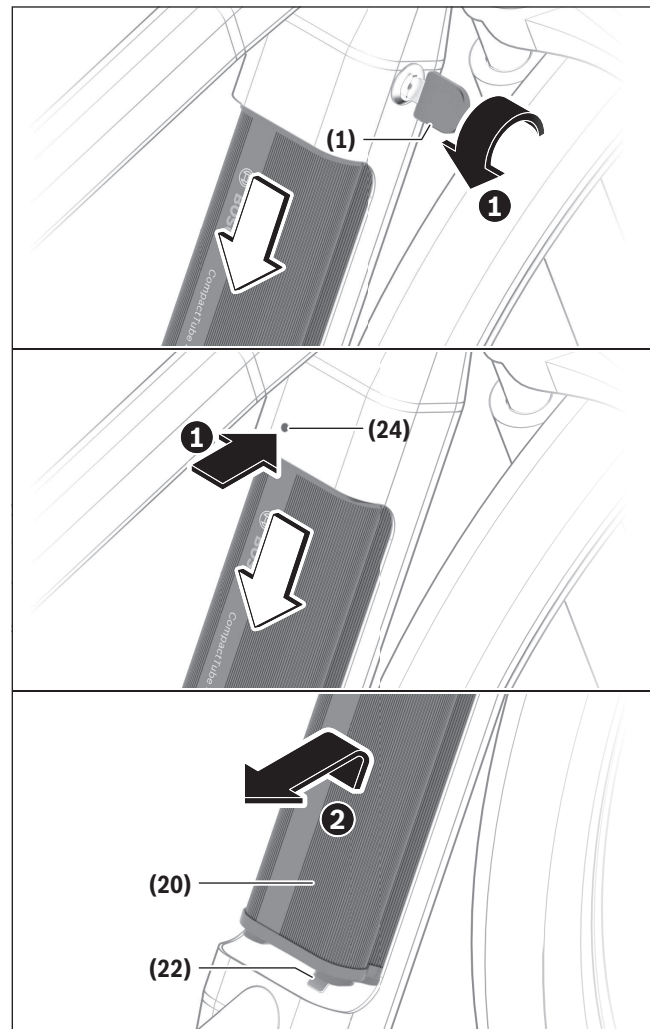
- ② Close the locking mechanism **(9)**, insert the key **(1)** into the battery lock **(2)** and lock the battery. Make sure that the safety hook **(3)** is correctly hooked in at the opening of the guide rail **(11)**. Otherwise, there is a risk of the battery falling out while riding.

Always remove the key **(1)** from the battery lock **(2)** after locking it. This prevents both the key from falling out and the eBike battery from being removed by unauthorized third parties when the eBike is not in use.

CompactTube Battery (built-in)

The eBike batteries built-in to the bicycle frame must only be removed in the event of a fault. Contact an authorized bicycle dealer if this happens.

Removing the CompactTube Battery (pivot)



- ① To remove the CompactTube battery **(20)**, open the battery lock **(2)** with the key **(1)** or press on the unlocking element **(24)** with a suitable, non-pointed tool (e.g. a hex key). The battery will be unlocked and fall into the safety restraint **(22)**.

Note: When removing the eBike battery, hold it firmly in your hand.

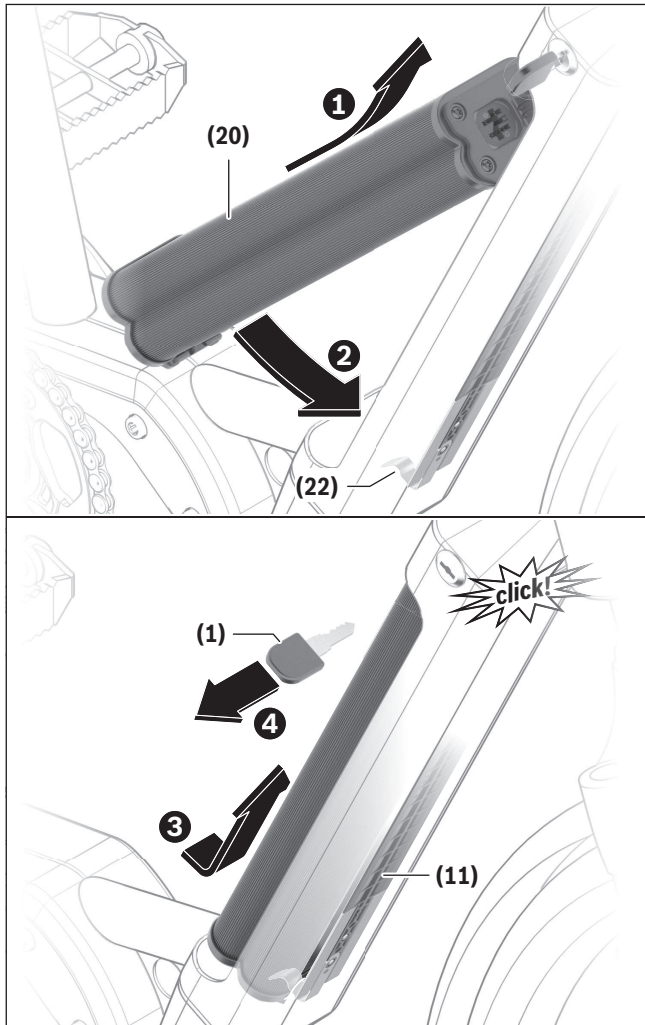
- ② Hold the battery firmly, gently slide the battery towards the battery lock **(2)** and remove it from the safety restraint **(22)**.

Note: The unlocking element may vary from the image and may be a manufacturer-specific solution.

Read the eBike manufacturer's operating instructions.

Note: As a result of **varying** designs, the battery may need to be inserted and removed using a different method. Read the eBike manufacturer's operating instructions.

Inserting the CompactTube Battery (pivot)

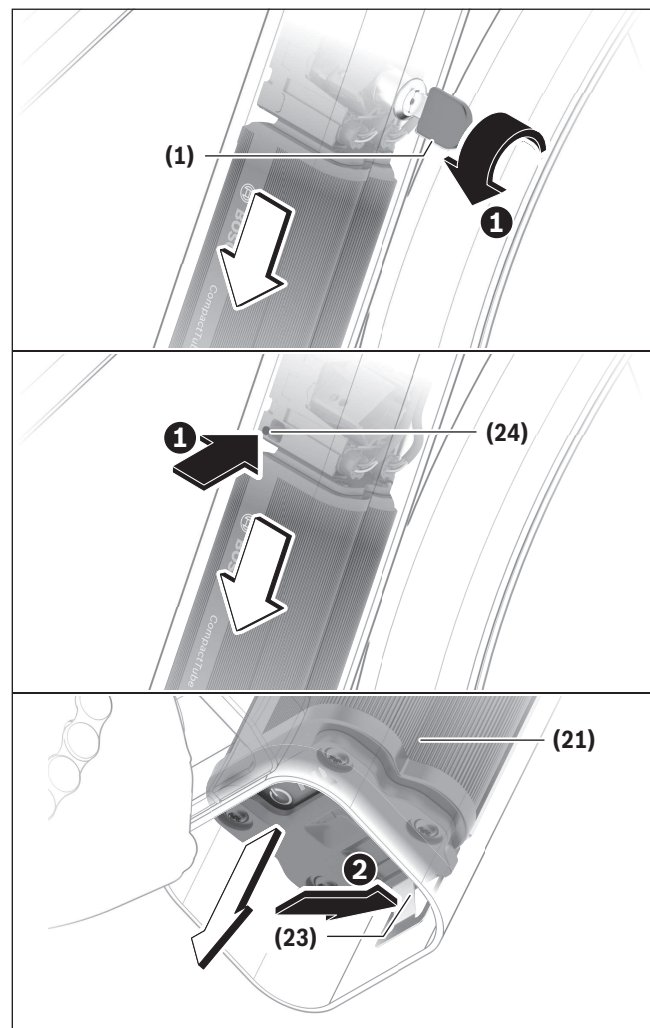


- ❶ To insert the CompactTube battery (20), place it so that its contacts are in the upper holder of the frame.
- ❷ Twist the battery in the bicycle frame until it is held by the safety restraint (22).

- ❸ Push the battery into the guide rail (11) and slide it towards the battery lock (2) until it audibly clicks into place.
- ❹ Then remove the key (1) from the battery lock (2).

Always remove the key (1) from the battery lock (2) after locking it. This prevents both the key from falling out and the eBike battery from being removed by unauthorized third parties when the eBike is not in use.

Removing the CompactTube Battery (axial)



- ❶ To remove the CompactTube battery (21), open the battery lock (2) with the key (1) or press on the unlocking element (24) with a suitable, non-

pointed tool (e.g. a hex key). The battery will be unlocked and fall into the safety restraint (23).

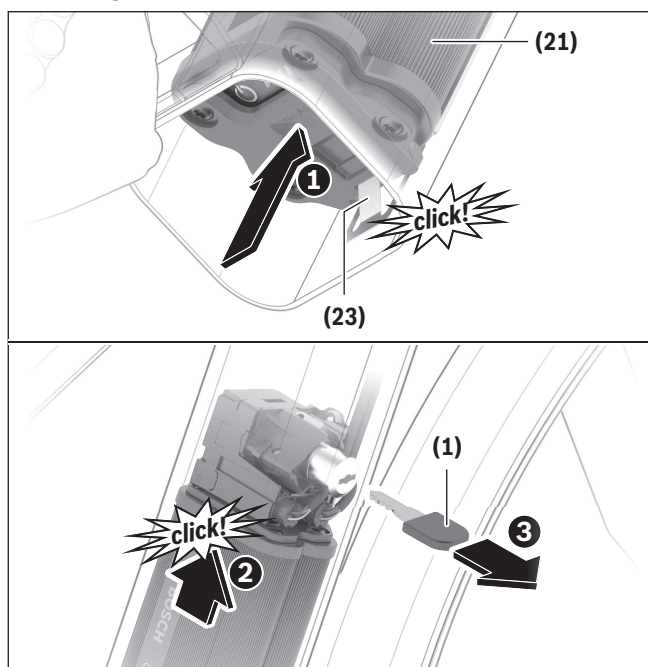
Note: When removing the eBike battery, hold it firmly in your hand.

- ② Press the safety restraint (23). Hold the battery firmly in place if the battery is sliding out of the bicycle frame. Then remove the battery.

Note: The unlocking element may vary from the image and may be a manufacturer-specific solution. Read the eBike manufacturer's operating instructions.

Note: As a result of **varying** designs, the battery may need to be inserted and removed using a different method. Read the eBike manufacturer's operating instructions.

Inserting the CompactTube Battery (axial)

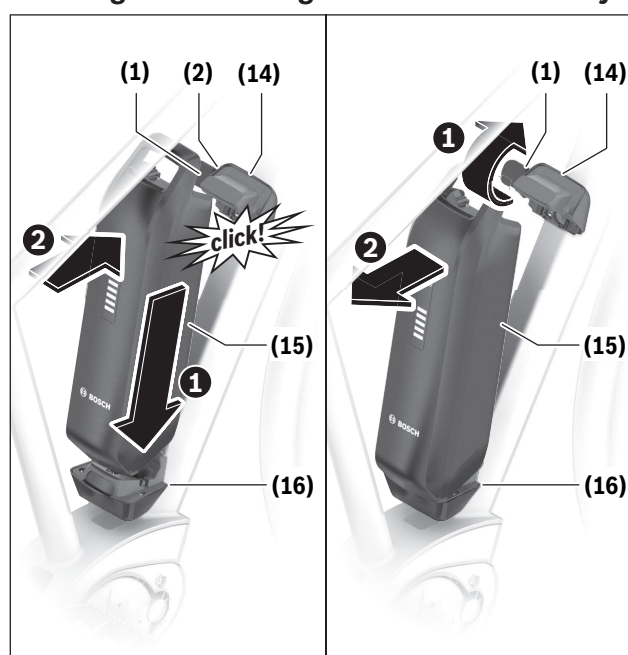


- ① To insert the CompactTube battery (21), insert it into the frame with the socket for the charging connector (5) facing upwards until you hear the battery click into place in the safety restraint (23). Ensure that the battery is aligned correctly.

- ② Slide the battery into the battery lock (2) until you hear it click into place in the battery lock (2).
- ③ Then remove the key (1) from the battery lock (2).

Always remove the key (1) from the battery lock (2) after locking it. This prevents both the key from falling out and the eBike battery from being removed by unauthorized third parties when the eBike is not in use.

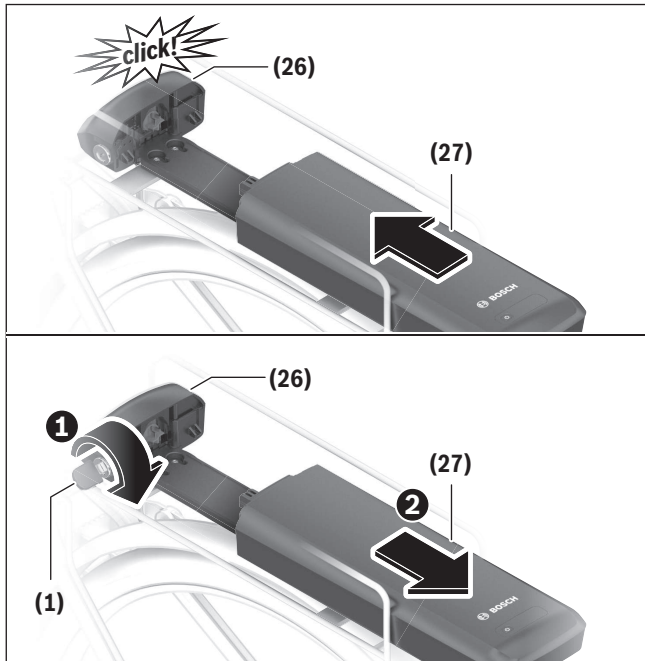
Inserting and Removing the PowerPack battery



In order to insert the battery, the key (1) must not be inserted in the battery lock (2).

- ① To **insert** the PowerPack battery (15), place it so that its contacts are in the lower holder (16) on the eBike.
- ② Twist it into the upper holder (14) as far as possible until you hear it click into place.
- ① To **remove** the PowerPack battery (15), switch it off and open the battery lock (2) using the key (1).
- ② Twist the battery out of the upper holder (14) and pull it out of the lower holder (16).

Inserting and Removing the Rack-Mounted Battery



In order for the battery to be inserted, the battery lock **(2)** must be locked. The key **(1)** must not be inserted in the battery lock **(2)**.

To **insert** the battery **(27)**, slide its contacts into the holder **(26)** until you hear it click into place.

To **remove** the battery **(27)**, switch it off and open the battery lock using the key **(1)** **⌚**.

Pull the battery out of the holder **(26)** **➡**.

Operation

Start-up

- **Use only original Bosch eBike batteries from the system generation the smart system that the manufacturer has approved for your eBike.** Using other eBike batteries can lead to injuries and pose a fire hazard. Bosch accepts no liability or warranty claims if other eBike batteries are used.

Switching on/off

Switching on the eBike battery is one way to switch on the eBike. Read and follow the instructions in the operating manuals for the drive unit and on-board computer.

Before switching on the eBike battery, i.e. the eBike, make sure that the battery lock **(2)** is locked.

To **switch on** the eBike battery, press the on/off button **(7)**. Do not use sharp or pointed objects to press the button. The LEDs on the indicator **(6)** will light up, indicating the battery's state of charge at the same time.

- **Always check that the battery pack is locked in place.** To do this, pull on the battery pack (after the key has been removed).

Note: If the eBike battery capacity is less than 5 %, none of the LEDs on the battery charge indicator **(6)** will light up. Whether the eBike is switched on can only be determined from the on-board computer/control unit.

To **switch off** the eBike battery, press the on/off button **(7)** again. The LEDs on the indicator **(6)** go out. This will also switch the eBike off.

If no power is drawn from the drive for about **10** minutes (e.g. because the eBike is not moving) and no button is pressed on the on-board computer or the operating unit of the eBike, the eBike will switch off automatically.

The eBike battery is protected against deep discharge, overloading, overheating and short-circuiting by the Battery Management System (BMS). In the event of danger, a protective circuit switches the eBike battery off automatically.



If a fault is detected in the eBike battery, two of the LEDs on the battery charge indicator **(6)** will flash. Contact an authorized bicycle dealer if this happens.

Behavior in the event of a fault

The eBike battery must not be opened, not even for repairs. There is a risk of the eBike battery catching fire, e.g. as a result of a short circuit. This risk continues to apply for any Bosch eBike battery that has **ever** been opened, even at a later point in time.

In the event of a fault, do not have your eBike battery repaired; instead, have your bicycle retailer replace it with an original Bosch eBike battery of the system generation **the smart system**.

Transport

- **If you transport your eBike attached to the outside of your car, e.g. on a bike rack, remove the on-board computer and the eBike battery (except fixed mount battery) to avoid damaging them.**

The eBike batteries are subject to legislation on the transport of dangerous goods.

When batteries are transported by commercial users or third parties (e.g. air transport or forwarding agency), special requirements on packaging and labeling (e.g. ADR regulations) must be met. When preparing items for shipping, a dangerous goods expert can be consulted as required.

Do not ship batteries if the housing is damaged or the eBike battery is not fully functional. Use only the origi-

nal Bosch eBike battery packaging when transporting the eBike battery. Apply tape over exposed contacts and pack the eBike battery such that it cannot move around inside the packaging. Inform your parcel service that the package contains dangerous goods. Please also observe any additional national regulations should these exist.

- ▶ **Always use an approved and compatible bicycle rack when transporting your eBike. The Bosch drive system adds weight to the bicycle.** Refer to your bicycle rack manual to be sure your eBike is compatible. Overloading a bike rack can result in death or serious injury.

- ▶ **Use proper lifting techniques as electric bikes are generally heavier than bicycles.**

Ship batteries only when the housing is undamaged. Tape or mask off open contacts and pack up the battery in such a manner that it cannot move around in the packaging. Inform your parcel service that the package contains dangerous goods. Please also observe possibly more detailed national regulations. Always check state and federal regulations before attempting to ship your battery.

If you have any questions about transporting the eBike batteries, contact an authorized bicycle dealer. You can also order suitable transport packaging from the dealer.

Maintenance/cleaning

- ▶ **Always switch the battery pack off, when inserting or removing it from the holder.** Never attempt to insert or remove the battery pack while riding the bike.
- ▶ **Do not submerge your eBike components in water, or wash with pressurized hose.** Your Bosch drive unit is designed to be water tight to rain water or non-pressure hose washing.
- ▶ **Note down the manufacturer and the number of the key.** In case of loss of the keys, please refer to an authorised Bosch eBike dealer. Please provide the name of the manufacturer and the number of the key.
- ▶ **Do not paint any components of the Bosch drive system as they may cause premature failure of the component.**

Cleaning

- ▶ **Do not submerge your eBike components in water, or wash with pressurized hose.** Your Bosch drive unit is designed to be water tight to rain water or non-pressure hose washing.

Keep all components of your eBike clean, especially the battery pack contacts and corresponding holder contacts. All components including the drive unit may not be immersed in water or cleaned with a high-pressure cleaner. Clean them carefully with a soft, damp cloth (using only mild soap and water).

Keep the eBike battery clean and avoid contact with skincare products, sunscreen and insect repellent. Clean it carefully with a soft, damp cloth.

Clean and lightly grease the connector pins occasionally. Use medical or technical Vaseline for this purpose.

After-sales service and advice on using products

If you have any questions about the eBike and its components, contact an authorized bicycle retailer.

For contact details of authorized bike dealerships, please visit www.bosch-ebike.com.

Please contact an authorized bicycle dealer if the eBike battery is no longer working.

Storing

The service life of the eBike battery can be extended if it is looked after well and especially if it is stored at the correct temperature.

As it ages, however, the capacity of the eBike battery will diminish, even with good care.

A significantly reduced operating period after charging indicates that the eBike battery pack is worn out and must be replaced. You can replace it yourself by purchasing a genuine Bosch PowerPack from an authorized Bosch eBike dealer.

Recharging the eBike Battery Before and During Storage

When you are not going to use the eBike battery for an extended period (longer than three months), store it at a state of charge of around 30 % to 60 % (when two to three of the LEDs on the battery charge indicator **(6)** are lit).

Check the state of charge after six months. If only one of the LEDs on the battery charge indicator **(6)** is lit, charge the eBike battery back up to around 30 % to 60 %.

Note: If the eBike battery is stored with no charge for an extended period of time, it may become damaged despite the low self-discharge and the battery capacity could be significantly reduced.

Leaving the eBike battery permanently connected to the charger is not recommended.

Storage conditions

If possible, store the eBike battery in a dry, well-ventilated place. Protect it against moisture and water.

When the weather conditions are bad, it is advisable to remove the eBike battery from the eBike and store it in a closed room, for example, until you use it next.

Do **not** store the eBike battery in the following locations:

- in areas without smoke alarms
- near combustible or easily flammable objects
- near heat sources
- in locked vehicles (especially in the summer)
- in direct sunlight




To ensure an optimum service life, store the eBike batteries at room temperature.

Never store it at temperatures below **14 °F** or above **140 °F**.

Make sure that the maximum storage temperature is not exceeded.

Leaving the eBike battery on the eBike for storage is not recommended.

Troubleshooting

Cause	Corrective measures
 <p>eBike battery defective</p>	<p>Two LEDs flash on the eBike battery. Contact an authorized bike dealership.</p>
 <p>eBike battery too warm or too cold</p>	<p>Three LEDs flash on the eBike battery. Disconnect the eBike battery from the charger until the charging temperature range has been reached. Do not reconnect the eBike battery to the charger until it has reached the correct charging temperature.</p>
 <p>The charger is not charging.</p>	<p>No LEDs flashing (one or more LEDs will remain permanently lit depending on the state of charge of the eBike battery). Contact an authorized bike dealership.</p>
<p>Charging not possible (no indicator on eBike battery)</p>	
<p>Connector not attached properly</p>	<p>Check all connections.</p>
<p>eBike battery contacts dirty</p>	<p>Carefully clean the eBike battery contacts.</p>
<p>Socket outlet, cable or charger defective</p>	<p>Check the mains voltage, have the charger checked over by a bike dealership.</p>
<p>eBike battery defective</p>	<p>Contact an authorized bike dealership.</p>

Battery Recycling Program



The drive unit, on-board computer incl. operating unit, eBike battery, speed sensor, accessories and packaging should be disposed of in an environmentally correct manner.

Do not dispose of eBikes and their components with household waste.

Tape or mask off the contact surfaces of the battery pack's terminals with adhesive tape before disposing of battery packs.

Do not touch severely damaged eBike batteries with your bare hands – electrolyte may escape and cause skin irritation. Store the defective battery in a safe location outdoors. Cover the terminals if necessary and inform your dealer. They will help you to dispose of it properly.



You may recycle your Bosch battery pack by calling 1.800.822.8837.

Table des matières

Introduction	2
À propos des avertissements.....	2
Avertissements généraux.....	2
Utilisez votre notice d'utilisation	3
Étiquettes d'avertissement sur le produit	4
Utilisation de la batterie Lithium-Ion	7
Consignes de sécurité pour les batteries de VAE Bosch	7
Description des prestations et du produit.....	9
Montage.....	17
Fonctionnement.....	24
Transport	24
Maintenance/nettoyage.....	25
Stockage.....	26
Résolution des problèmes	27
Programme de recyclage des accus.....	28

Introduction

À propos des avertissements

Cette notice contient de nombreuses mentions de danger de type **DANGER, AVERTISSEMENT** et **ATTENTION** destinées à attirer l'attention sur les conséquences d'erreurs, dans le but d'utiliser, d'assembler, d'entretenir, de conserver et d'éliminer dans les règles et en toute sécurité les vélos électriques dotés d'un système eBike Bosch.

- Le symbole de sécurité et le mot **DANGER** signalent une situation à risque élevé, qui entraîne inévitablement des blessures graves, voire la mort, si elle n'est pas évitée.

- Le symbole de sécurité et le mot **AVERTISSEMENT** signalent une situation à risque élevé, pouvant entraîner des blessures graves, voire la mort, si elle n'est pas évitée.
- Le symbole de sécurité et le mot **ATTENTION** signalent une situation à risque modéré pouvant entraîner des blessures légères ou modérées si elle n'est pas évitée.

Avertissements généraux



Lisez tous les avertissements de sécurité et toutes les instructions. Le fait de ne pas respecter les avertissements et les instructions peut entraîner des blessures graves ou mortelles.

Conservez tous les avertissements et toutes les instructions pour pouvoir s'y reporter ultérieurement.

Le terme **batterie VAE** utilisé dans cette notice désigne toutes les batteries VAE Bosch d'origine de la génération **the smart system (le système intelligent)**.

- **Lisez TOUS les manuels et TOUTES les notices jointes avant d'utiliser votre vélo pour la première fois.** Votre système d'entraînement Bosch est livré avec d'autres manuels et documents fournis par le fabricant du vélo et des autres éléments. Ne pas lire ou ne pas comprendre les informations de sécurité peut entraîner des blessures graves ou mortelles.

AVERTISSEMENT

- **Cette notice contient d'importantes informations sur la sécurité, les performances et l'entretien.** Veuillez la lire avant d'utiliser votre vélo pour

la première fois, et la conserver pour référence ultérieure. Vous pouvez également retrouver cette notice en ligne à l'adresse www.bosch-ebike.com.

- **Cette notice est destinée à être lue conjointement avec le manuel utilisateur séparé fourni avec votre vélo.** Assurez-vous de lire tous les documents fournis y compris les étiquettes apposées sur le produit avant la première utilisation.
- **Assumez la responsabilité de votre propre SÉCURITÉ.** En cas de question ou d'incompréhension, contactez votre revendeur ou le fabricant du vélo ou de l'élément.
- **Certains accessoires de l'eBike peuvent présenter un risque d'étouffement pour les petits enfants.** Conservez ces accessoires hors de portée des enfants.

ATTENTION

- **Le système d'entraînement Bosch alourdit votre vélo. Vous n'avez peut-être pas l'habitude de le soulever.** Évitez de vous blesser en utilisant des techniques de levage appropriées.

Utilisez votre notice d'utilisation

Nous nous réservons le droit d'apporter à tout moment des modifications au logiciel pour corriger des erreurs ou pour modifier les fonctionnalités décrites dans la présente notice.

Graphiques

Le vélo illustré dans cette notice peut être légèrement différent de votre vélo, mais il est suffisamment similaire pour vous permettre de comprendre nos instructions.

Les côtés DROIT et GAUCHE sont déterminés en se plaçant en situation, dans le sens de la marche du vélo. Lorsqu'une ligne en pointillé (-----) apparaît, l'élément auquel il est fait référence n'est pas visible.

Étiquettes d'avertissement sur le produit

A



BOSCH
Robert Bosch GmbH
72757 Reutlingen
Germany
www.bosch-ebike.com







!!! 警告: 使用前に取扱説明書を読むこと。分解、改造、端子の短絡、火気への投入禁止。故障が疑われる時は使用を停止する。専用充電器を使用すること。

!!! 주의사항: 1. 사용전 반드시 사용설명서를 읽어주시기 바랍니다. 2. 비오는 날이나 가연성 폭발물 근처에서는 사용하지 마세요.





Li-ion 20

⚠ WARNING To reduce the risk of injury, explosion, or fire, user must read instruction manual. Charge battery only with Bosch eBike chargers. • Do not crush, puncture, disassemble, short terminals, or dispose in fire. • Do not use battery once it has been impacted, sustained water damage or visibly damaged.

⚠ AVERTISSEMENT L'utilisateur doit lire le mode d'emploi pour réduire le risqué de blessure, d'explosion ou d'incendie. • Ne charger la pile qu'avec un chargeur Bosch eBike. • Ne pas écraser, perforer, démonter, court-circuiter les bornes ou jeter dans un feu. • Ne pas réutiliser la pile si elle a subi un choc, des dégâts causés par l'eau ou d'autres dommages visibles.

B



BOSCH
Robert Bosch GmbH
72757 Reutlingen
Germany
www.bosch-ebike.com







警告: 可充電之二次鋰電池組; 依照說明書指示使用電池。使用專用充電器。廢電池請回收。

!!! 警告: 使用前に取扱説明書を読むこと。分解、改造、端子の短絡、火気への投入禁止。故障が疑われる時は使用を停止する。専用充電器を使用すること。

!!! 주의사항: 1. 사용전 반드시 사용설명서를 읽어주시기 바랍니다. 2. 비오는 날이나 가연성 폭발물 근처에서는 사용하지 마세요.





Li-ion 20

⚠ WARNING To reduce the risk of injury, explosion, or fire, user must read instruction manual. Charge battery only with Bosch eBike chargers. • Do not crush, puncture, disassemble, short terminals, or dispose in fire. • Do not use battery once it has been impacted, sustained water damage or visibly damaged.

⚠ AVERTISSEMENT L'utilisateur doit lire le mode d'emploi pour réduire le risqué de blessure, d'explosion ou d'incendie. • Ne charger la pile qu'avec un chargeur Bosch eBike. • Ne pas écraser, perforer, démonter, court-circuiter les bornes ou jeter dans un feu. • Ne pas réutiliser la pile si elle a subi un choc, des dégâts causés par l'eau ou d'autres dommages visibles.

C



BOSCH
Robert Bosch GmbH
72757 Reutlingen
Germany
www.bosch-ebike.com







⚠ WARNING To reduce the risk of injury, explosion, or fire, user must read instruction manual. Charge battery only with Bosch eBike chargers. • Do not crush, puncture, disassemble, short terminals, or dispose in fire. • Do not use battery once it has been impacted, sustained water damage or visibly damaged.

⚠ AVERTISSEMENT L'utilisateur doit lire le mode d'emploi pour réduire le risqué de blessure, d'explosion ou d'incendie. • Ne charger la pile qu'avec un chargeur Bosch eBike. • Ne pas écraser, perforer, démonter, court-circuiter les bornes ou jeter dans un feu. • Ne pas réutiliser la pile si elle a subi un choc, des dégâts causés par l'eau ou d'autres dommages visibles.

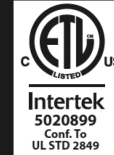
D

BOSCH
Robert Bosch GmbH
72757 Reutlingen
Germany



⚠ WARNING To reduce the risk of injury, explosion, or fire, user must read instruction manual. Charge battery only with Bosch eBike chargers. • Do not crush, puncture, disassemble, short terminals, or dispose in fire. • Do not use battery once it has been impacted, sustained water damage or visibly damaged.

⚠ AVERTISSEMENT L'utilisateur doit lire le mode d'emploi pour réduire le risque de blessure, d'explosion ou d'incendie. • Ne charger la pile qu'avec un chargeur Bosch eBike. • Ne pas écraser, perforer, démonter, court-circuiter les bornes ou jeter dans un feu. • Ne pas réutiliser la pile si elle a subi un choc, des dégâts causés par l'eau ou d'autres dommages visibles.



E

BOSCH
Robert Bosch GmbH
72757 Reutlingen
Germany
www.bosch-ebike.com



BOSCH
Robert Bosch GmbH
D-72757 Reutlingen
www.bosch-ebike.com



BOSCH
Robert Bosch GmbH
D-72757 Reutlingen
www.bosch-ebike.com



⚠ WARNING To reduce the risk of injury, explosion, or fire, user must read instruction manual. • Do not crush, puncture, disassemble, short terminals, or dispose in fire. • Do not use battery once it has been impacted, sustained water damage or visibly damaged. • Charge battery only with Bosch eBike chargers.

⚠ AVERTISSEMENT L'utilisateur doit lire le mode d'emploi pour réduire le risque de blessure, explosion ou d'incendie. • Ne pas écraser, perforer, démonter, court-circuiter les bornes ou jeter dans un feu. • Ne pas réutiliser la pile si elle a subi un choc, des dégâts causés par l'eau ou d'autres dommages visibles. • Ne charger la pile qu'avec un chargeur Bosch eBike.



⚠ 警告
使用前に取扱説明書を読むこと
分解、改造、端子の短絡、火気への投入禁止
故障が疑われる時は使用を停止すること
専用充電器を使用すること



⚠ 경고, 警告
주의사항1. 사용 전 반드시 사용 설명서를 읽어 주시기 바랍니다.
2. 비오늘날이나 가연성 폭발물 근처에서는 사용하지 마세요.
可充電之二次鋰電池組 依照說明書指示使用電池, 使用
專用充電器, 廢電池請回收



- A-C** Consignes de sécurité pour batterie Power-Pack Frame
- Remarque :** Les étiquettes représentées peuvent différer des étiquettes présentes sur le produit.
- D** Consignes de sécurité pour batterie Power-Pack Rack
- E** Consignes de sécurité pour batterie Power-Tube
- F** Consignes de sécurité pour batterie Compact-Tube

► **Des étiquettes d'avertissement ont été placées sur le système eBike de Bosch pour votre sécurité. Lisez attentivement et observez les consignes figurant sur ces étiquettes. Au cas où une étiquette venait à se décoller ou à devenir illisible, adressez-vous à votre revendeur Bosch pour obtenir une étiquette de remplacement.** Les étiquettes de sécurité de rechange sont fournies gratuitement par Bosch.

Utilisation de la batterie Lithium-Ion

Consignes de sécurité pour les batteries de VAE Bosch



Lisez et comprenez tous les avertissements et toutes les instruc-

tions. Le fait de ne pas respecter les avertissements ci-dessous peut entraîner des blessures graves ou mortelles.

Conservez tous les avertissements et toutes les instructions pour pouvoir s'y reporter ultérieurement.

Le terme **batterie VAE** utilisé dans cette notice désigne toutes les batteries VAE Bosch d'origine de la génération **the smart system (le système intelligent)**.

Les termes **unité d'entraînement** et **Drive Unit** utilisés dans cette notice désignent toutes les Drive Units Bosch d'origine de la génération **the smart system (le système intelligent)**.

Le terme **chargeur** utilisé dans cette notice désigne tous les chargeurs Bosch d'origine de la génération **the smart system (le système intelligent)**.

- ▶ **Lisez et respectez les consignes de sécurité et les instructions de toutes les notices d'utilisation du système eBike, ainsi que la notice d'utilisation de votre eBike.**
- ▶ **Retirez la batterie du vélo électrique avant d'entreprendre des travaux (réparation, montage, entretien, interventions au niveau de la chaîne etc.) sur le vélo. Si le VAE est doté d'une batterie fixe, prenez des précautions qui s'imposent pour exclure toute activation du VAE.** Une activation involontaire du VAE risque de provoquer des blessures.
- ▶ **Vous ne devez pas retirer vous-même des batteries de VAE fixes. Confiez la dépose/repose des batteries de VAE fixes à un revendeur agréé.**

⚠ DANGER

- ▶ **Ne perforez pas ou n'écrasez pas la batterie. Ne soumettez pas la batterie à des chocs violents et ne la modifiez pas de quelque manière que ce soit.** N'utilisez plus la batterie si elle présente des dommages apparents. Elle risque alors en effet de prendre feu ou d'exploser et de causer des blessures graves voir mortelles.



Protégez la batterie contre la chaleur (températures > 140 °F), le feu et l'immersion dans l'eau. Risque d'explosion.

⚠ AVERTISSEMENT

- ▶ **Utilisez seulement des batteries Bosch agréées par le fabricant pour votre VAE et achetées auprès d'un vendeur crédible.** L'utilisation de batteries non agréées ou contrefaites risque causer des blessures graves voir mortelles.
- ▶ **N'ouvrez pas la batterie de VAE.** Risque de court-circuit. L'ouverture de la batterie de VAE entraîne l'annulation de la garantie.
- ▶ **Lorsque la batterie de VAE n'est pas utilisée, tenez-la à l'écart de tout objet métallique (trombones, pièces de monnaie, clés, clous, vis ou autres objets de petite taille) susceptible de créer un court-circuit entre les contacts.** La mise en court-circuit des contacts peut causer des brûlures ou un incendie. La garantie de Bosch ne joue pas pour les dommages consécutifs à la mise en court-circuit des contacts.
- ▶ **Évitez les contraintes mécaniques ou les forts échauffements.** Ils risqueraient d'endommager les cellules de la batterie ou de provoquer des fuites de matières inflammables.
- ▶ **Ne placez jamais le chargeur et la batterie de VAE à proximité de matériaux inflammables. Ne chargez les batteries de VAE qu'à l'état sec et**

dans un endroit résistant au feu. Il y a en effet risque d'incendie pendant la charge du fait de l'échauffement de la batterie.

- ▶ **Ne laissez pas la batterie de VAE sans surveillance pendant sa charge.**
- ▶ **En cas d'utilisation inappropriée, du liquide peut suintier de la batterie de VAE. Évitez tout contact avec ce liquide. En cas de contact accidentel, rincez abondamment à l'eau. Si le liquide entre en contact avec les yeux, consultez en plus un médecin dans les meilleurs délais.** Le liquide qui s'échappe de la batterie peut causer des irritations ou des brûlures.
- ▶ **Les batteries de VAE ne doivent subir aucun choc mécanique.** Elles risquent sinon d'être endommagées.
- ▶ **En cas d'endommagement ou d'utilisation non conforme de la batterie de VAE, celle-ci peut émettre des vapeurs. Ventilez le local et consultez un médecin en cas de malaise.** Les vapeurs peuvent irriter les voies respiratoires.
- ▶ **Ne rechargez pas et n'utilisez pas votre eBike dans une zone présentant une atmosphère potentiellement explosive, par exemple dans une station-service ou dans des zones dans lesquelles l'air contient des produits chimiques ou des particules (telles que des grains, de la poussière ou des poudres métalliques).** Respectez tous les panneaux et toutes les instructions.
- ▶ **Ne rechargez la batterie de VAE qu'avec un chargeur d'origine Bosch de la génération the smart system (le système intelligent).** En cas d'utilisation d'un chargeur d'une autre marque, un risque d'incendie ne peut pas être exclu.
- ▶ **N'utilisez la batterie de VAE que sur des vélos électriques de la génération the smart system (le système intelligent).** Tout risque de surcharge dangereuse sera alors exclu.
- ▶ **N'utilisez que des batteries d'origine Bosch de la génération the smart system (le système intelligent) autorisées par le fabricant de votre vélo**

électrique. L'utilisation de toute autre batterie de VAE peut entraîner des blessures et des risques d'incendie. Bosch décline toute responsabilité et exclut tout droit à garantie en cas d'utilisation d'autres batteries de VAE.

- ▶ **Gardez la batterie de VAE hors de portée des enfants.**

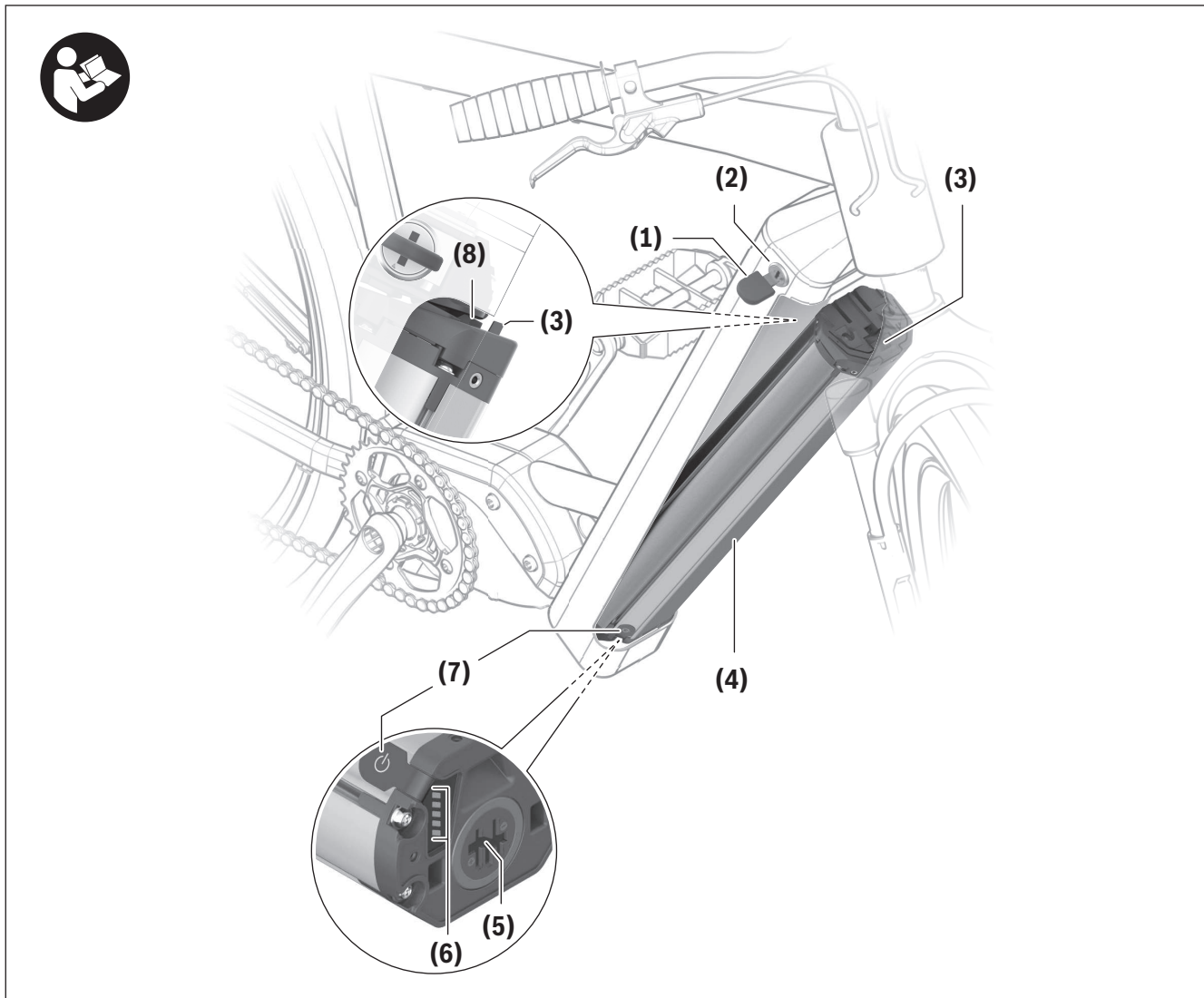
Nous attachons une grande importance à la sécurité de nos clients et produits. Nos batteries pour VAE sont conçues et fabriquées conformément à l'état actuel de la technique. Ils respectent et même dépassent les normes de sécurité en vigueur. À l'état chargé, les batteries Lithium-Ion ont un contenu énergétique élevé. Lorsqu'elles sont défectueuses (souvent pas reconnaissable de l'extérieur), les batteries Lithium-Ion risquent dans certaines conditions défavorables de s'enflammer.

Remarque relative à la protection des données

Lors du raccordement du VAE au **Bosch Diagnostic-Tool 3** ou du remplacement de composants du système eBike, des informations techniques sur votre VAE (p. ex. fabricant, modèle, ID du vélo, données de configuration) et sur son utilisation (p. ex. durée de roulage totale, consommation d'énergie, température) sont transmises à Bosch eBike Systems (Robert Bosch GmbH) pour pouvoir traiter votre demande (demande de service notamment) et à des fins d'amélioration du produit. Pour en savoir plus sur le traitement des données, rendez-vous sur www.bosch-ebike.com/privacy-full.

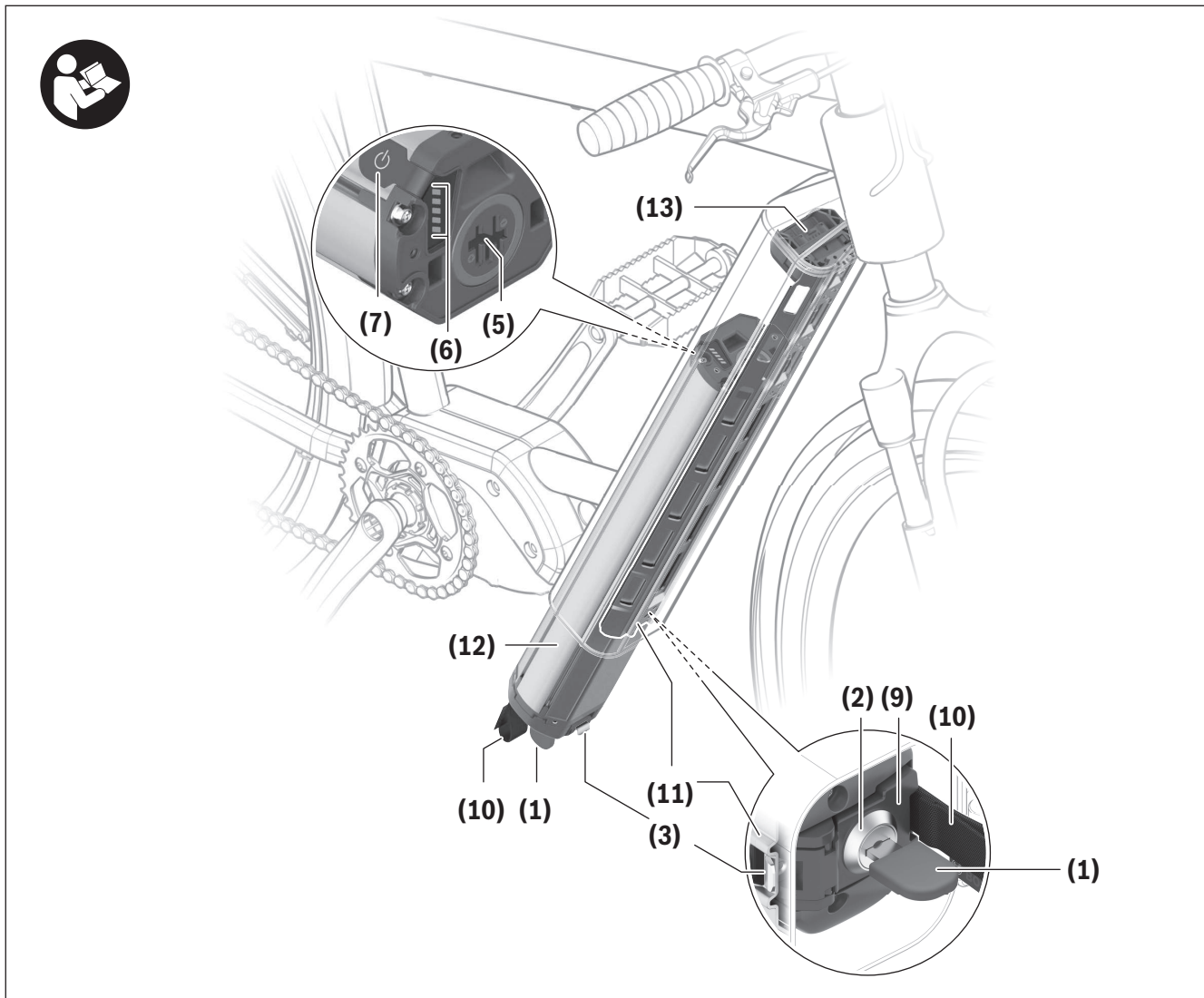
Description des prestations et du produit

Caractéristiques du produit PowerTube



Toutes les représentations des éléments du vélo, à l'exception des éléments de l'eBike, sont schématiques et peuvent être différentes de votre eBike.

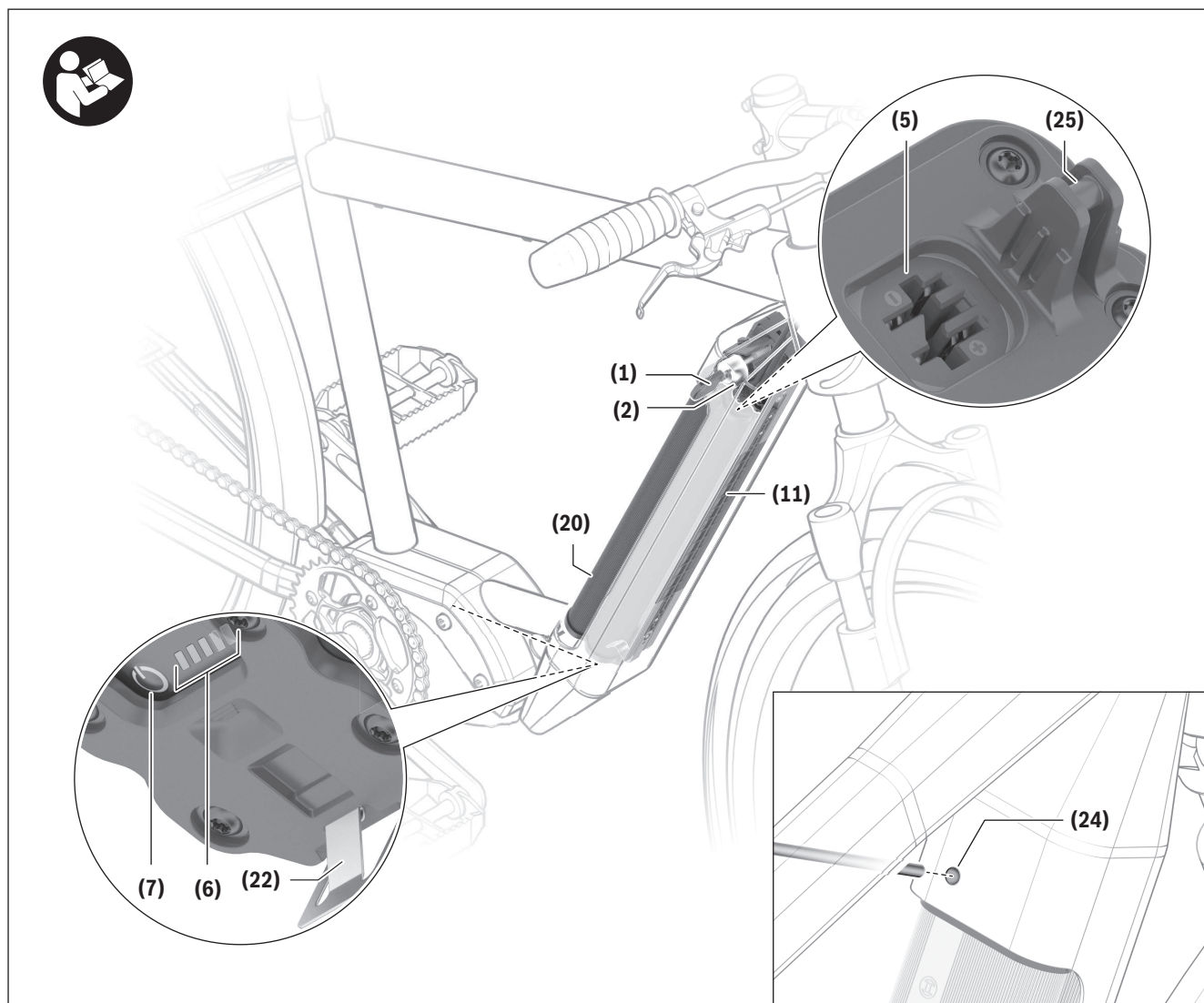
- (1) Clé de serrure de la batterie
- (2) Serrure de batterie
- (3) Crochet de sécurité sur batterie PowerTube
- (4) Batterie PowerTube (pivotante)
- (5) Prise de charge
- (6) Indicateur de fonctionnement et d'état de charge
- (7) Touche Marche/Arrêt
- (8) Dispositif de retenue de la batterie PowerTube



Toutes les représentations des éléments du vélo, à l'exception des éléments de l'eBike, sont schématiques et peuvent être différentes de votre eBike.

- (1)** Clé de serrure de la batterie
- (2)** Serrure de batterie
- (3)** Crochet de sécurité sur batterie PowerTube
- (5)** Prise de charge
- (6)** Indicateur de fonctionnement et d'état de charge
- (7)** Touche Marche/Arrêt
- (9)** Verrouillage
- (10)** Boucle de traction
- (11)** Glissière axiale
- (12)** Batterie PowerTube (axiale)
- (13)** Fixation supérieure pour batterie PowerTube axiale

Caractéristiques du produit CompactTube



Toutes les représentations des éléments du vélo, à l'exception des éléments de l'eBike, sont schématiques et peuvent être différentes de votre eBike.

(1) Clé de serrure de la batterie

(2) Serrure de batterie

(5) Prise de charge

(6) Indicateur de fonctionnement et d'état de charge

(7) Touche Marche/Arrêt

(9) Verrouillage

(11) Glissière axiale

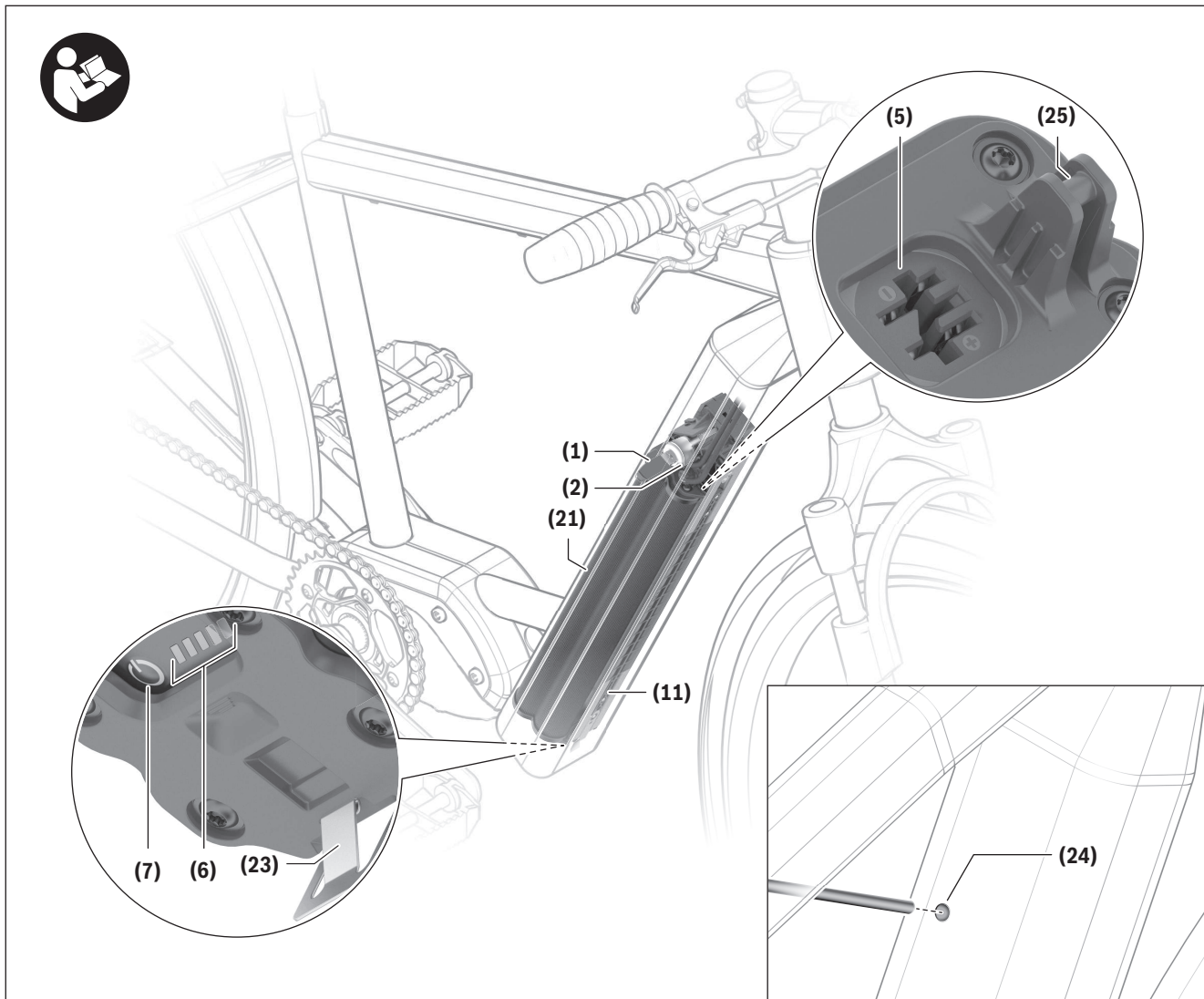
(20) Batterie CompactTube (pivotante)

(22) Mécanisme de retenue batterie CompactTube (pivotante)

(24) Élément de déverrouillage CompactTube^{a)}

(25) Élément de maintien CompactTube

a) Des différences peuvent exister au niveau de la réalisation



Toutes les représentations des éléments du vélo, à l'exception des éléments de l'eBike, sont schématiques et peuvent être différentes de votre eBike.

- (1)** Clé de serrure de la batterie
- (2)** Serrure de batterie
- (5)** Prise de charge
- (6)** Indicateur de fonctionnement et d'état de charge
- (7)** Touche Marche/Arrêt
- (9)** Verrouillage
- (11)** Glissière axiale
- (21)** Batterie CompactTube (axiale)

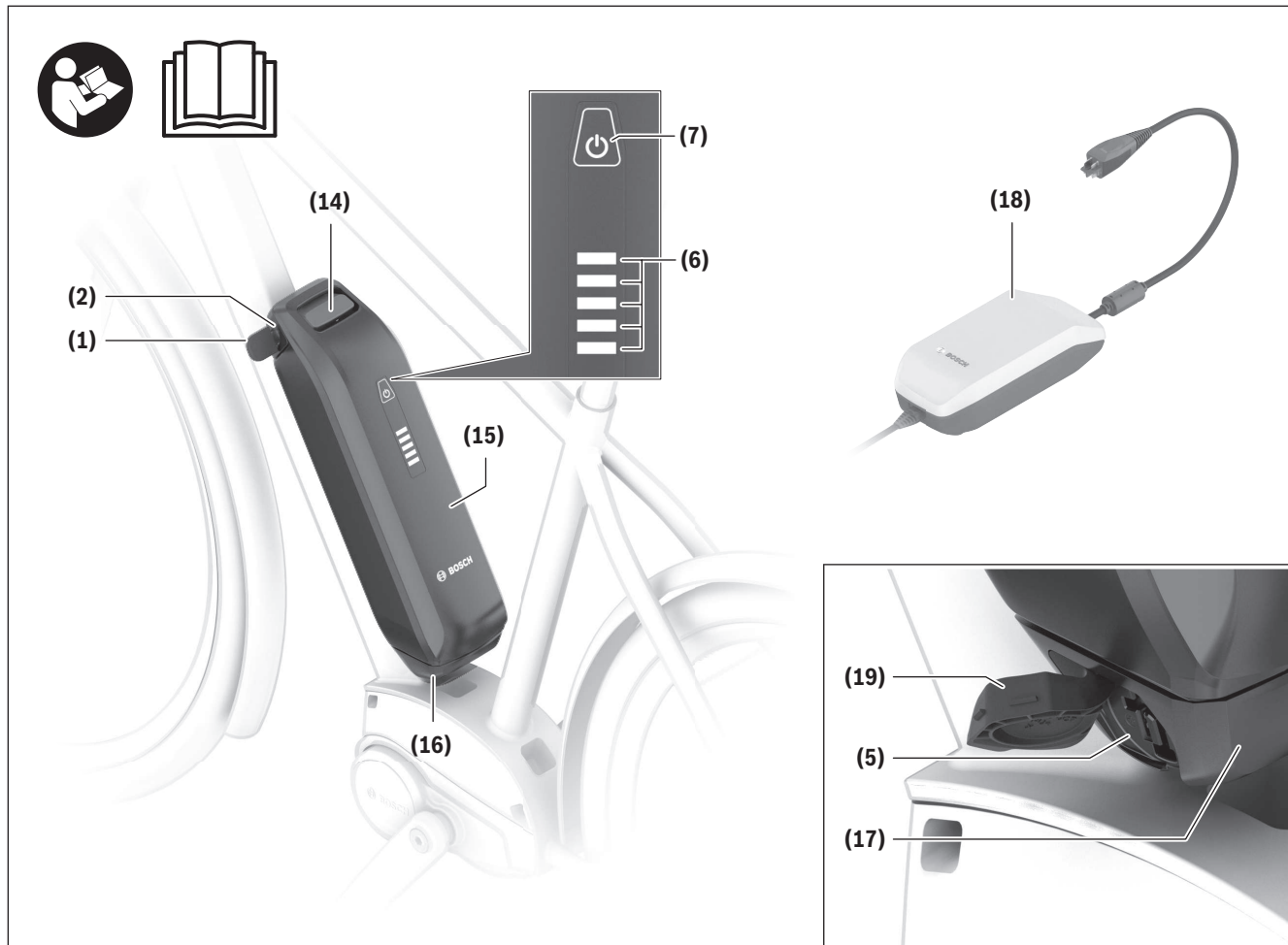
(23) Mécanisme de retenue batterie CompactTube (axiale)

(24) Élément de déverrouillage CompactTube^{a)}

(25) Élément de maintien CompactTube

a) Des différences peuvent exister au niveau de la réalisation

Caractéristiques du produit PowerPackFrame

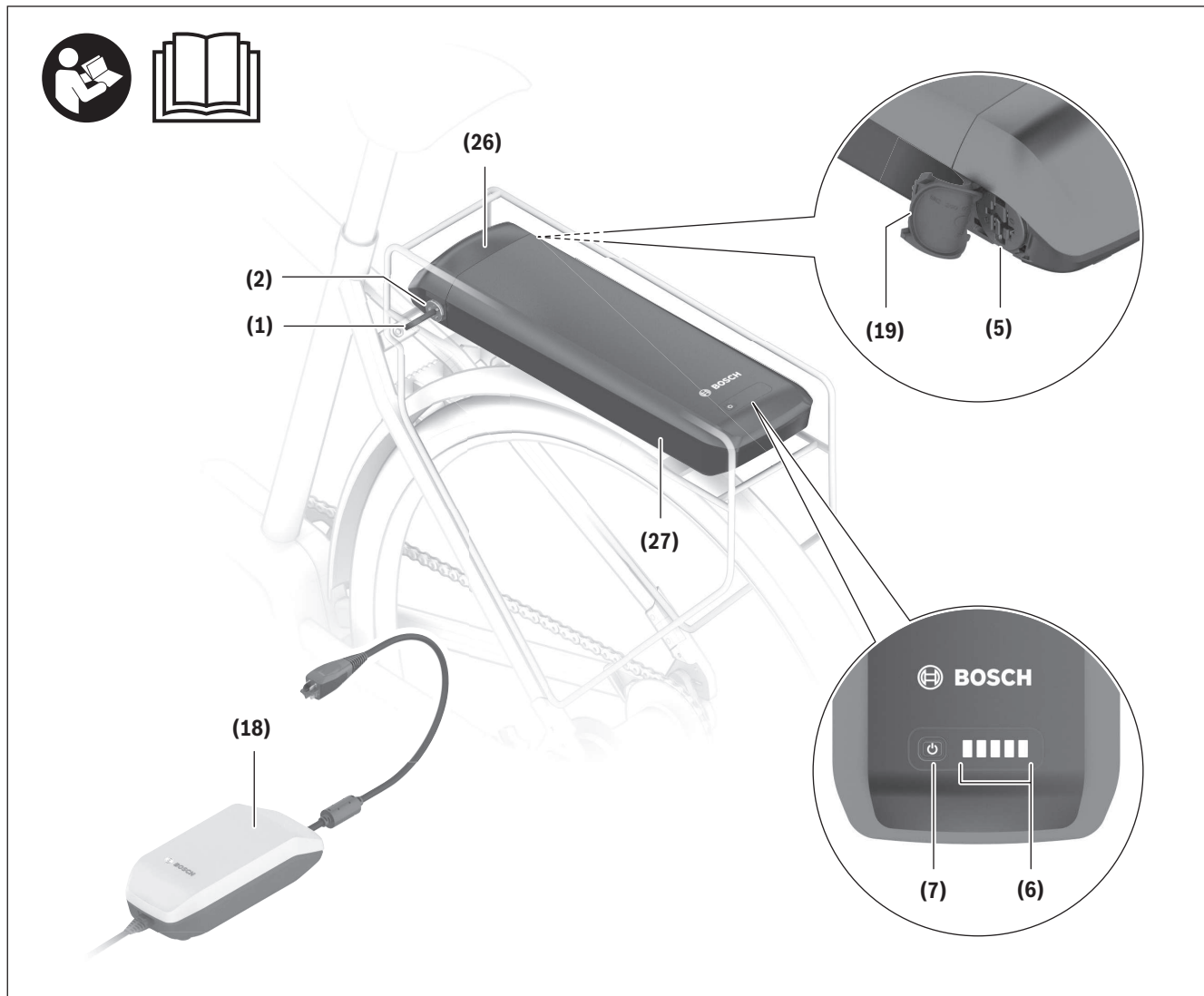


Toutes les représentations des éléments du vélo, à l'exception des éléments de l'eBike, sont schématiques et peuvent être différentes de votre eBike.

- (1)** Clé de serrure de la batterie
- (2)** Serrure de batterie
- (5)** Prise de charge
- (6)** Indicateur de fonctionnement et d'état de charge
- (7)** Touche Marche/Arrêt
- (14)** Fixation supérieure pour batterie PowerPack
- (15)** Batterie PowerPack

- (16)** Fixation inférieure pour batterie PowerPack (socle sans possibilité de charge)
- (17)** Fixation inférieure pour batterie PowerPack (socle avec possibilité de charge)
- (18)** Chargeur
- (19)** Obturateur de la prise de charge

Caractéristiques du produit PowerPack Rack



Toutes les représentations des éléments du vélo, à l'exception des éléments de l'eBike, sont schématiques et peuvent être différentes de votre eBike.

(1) Clé de serrure de la batterie

(2) Serrure de batterie

(5) Prise de charge

(6) Indicateur de fonctionnement et d'état de charge

(7) Touche Marche/Arrêt

(18) Chargeur

(19) Cache de la prise de charge

(26) Fixation de batterie de porte-bagages

(27) Batterie de porte-bagages

Utilisation conforme

Les batteries de VAE Bosch de la génération **the smart system (le système intelligent)** sont uniquement conçues pour l'alimentation électrique de votre Drive Unit de la génération **the smart system (le système intelligent)** ; toute autre utilisation est interdite.

Caractéristiques techniques

Batterie Lithium-Ion		CompactTube 400	PowerTube 500	PowerTube 625	PowerTube 750
Code produit	horizontale	BBP3245 BBP3247	BBP3755	BBP3765	BBP3775
Code produit	verticale	BBP3246 BBP3247	BBP3756	BBP3766	BBP3776
Tension nominale	V=	36	36	36	36
Capacité nominale	Ah	11	13,4	16,7	20,1
Énergie	Wh	400 ^{A)}	500 ^{A)}	625 ^{A)}	750 ^{A)}
Températures de fonctionnement	°F	23 ... 104	23 ... 104	23 ... 104	23 ... 104
Températures de stockage	°F	50 ... 104	50 ... 104	50 ... 104	50 ... 104
Plage admissible de températures de charge	°F	32 ... 104	32 ... 104	32 ... 104	32 ... 104
Poids (approx.)	lbs	4,4	6,6	7,9	9,6
Indice de protection		IP55	IP55	IP55	IP55

A) La capacité énergétique indiquée pour la batterie est une approximation. Du fait des tolérances de fabrication, la capacité mesurée peut différer de la capacité indiquée.

Français – 16

Batterie Lithium-Ion		PowerPack Frame 400	PowerPack Frame 545	PowerPack Frame 725	PowerPack Frame 800
Code produit		BBP3545	BBP3556	BBP3575	BBP3585
Tension nominale	V=	36	36	36	36
Capacité nominale	Ah	11,1	14,4	19,2	22,2
Énergie	Wh	400 ^{A)}	545 ^{A)}	725 ^{A)}	800 ^{A)}
Températures de fonctionnement	°F	23 ... 104	23 ... 104	23 ... 104	23 ... 104
Températures de stockage	°F	50 ... 104	50 ... 104	50 ... 104	50 ... 104
Plage admissible de températures de charge	°F	32 ... 104	32 ... 104	32 ... 104	32 ... 104
Poids (approx.)	lbs	4,8	6,6	8,8	8,6
Indice de protection		IP55	IP55	IP55	IP55

A) La capacité énergétique indiquée pour la batterie est une approximation. Du fait des tolérances de fabrication, la capacité mesurée peut différer de la capacité indiquée.

Batterie Lithium-Ion		PowerPack Rack 400	PowerPack Rack 500
Code produit		BBP3345	BBP3355
Tension nominale	V=	36	36
Capacité nominale	Ah	10,8	13,6
Énergie	Wh	400 ^{A)}	500 ^{A)}
Températures de fonctionnement	°F	23 ... 104	23 ... 104
Températures de stockage	°F	50 ... 104	50 ... 104
Plage admissible de températures de charge	°F	32 ... 104	32 ... 104
Poids (approx.)	lbs	5,9	6,1
Indice de protection		IP55	IP55

A) La capacité énergétique indiquée pour la batterie est une approximation. Du fait des tolérances de fabrication, la capacité mesurée peut différer de la capacité indiquée.

Montage

- **Ne posez la batterie de VAE que sur des surfaces propres.** Évitez tout encrassement de la prise de charge et des contacts électriques, par ex. par du sable ou de la terre.



Contrôle de la batterie de VAE avant sa première utilisation

Contrôlez la batterie de VAE avant de la recharger ou de l'utiliser la première fois sur votre vélo électrique. Appuyez pour cela sur la touche Marche/Arrêt (7) pour allumer la batterie de VAE. Si aucune des LED de l'indicateur d'état de charge (6) ne s'allume, il se peut que la batterie de VAE soit endommagée.

Si au moins une, mais pas la totalité, des LED de l'indicateur d'état de charge (6) s'allume, alors rechargez la batterie de VAE à fond avant la première utilisation.

- **Lorsqu'une batterie de VAE est endommagée, ne la rechargez plus et ne l'utilisez plus.** Adressez-vous à un revendeur de VAE agréé.

Recharge de la batterie de VAE

- **Les batteries de VAE Bosch de la génération the smart system (le système intelligent) doivent uniquement être rechargées au moyen d'un chargeur Bosch d'origine de la génération the smart system (le système intelligent).**

Remarque : La batterie de VAE est fournie partiellement chargée. Pour disposer de la pleine puissance, rechargez-la complètement avec le chargeur avant sa première utilisation.

Pour charger la batterie de VAE, lisez et observez les indications de la notice d'utilisation du chargeur.

La batterie de VAE peut être rechargée quel que soit son niveau de charge. Le fait d'interrompre le processus de charge n'endommage pas la batterie de VAE.

La batterie de VAE est dotée d'une surveillance de température interdisant toute recharge en dehors de la plage de températures allant de **32 °F à 104 °F**.

Si la batterie de VAE se trouve à l'extérieur de la plage de températures de charge admissible, trois des LED de l'indicateur d'état de charge (6) clignotent. Débranchez la batterie du chargeur et attendez qu'elle revienne dans la plage de températures admissibles.

ATTENTION

- **Ne connectez pas la batterie au chargeur avant qu'elle ait atteint la température de charge admissible.**

Indicateur d'état de charge (visible après retrait de la batterie)

Les cinq LED de l'indicateur d'état de charge (6) indiquent le niveau de charge de la batterie de VAE, quand celle-ci est allumée.

Chaque LED correspond à environ 20 % de niveau de charge. Quand la batterie de VAE est complètement chargée, les cinq LED sont allumées.

Quand la batterie de VAE est allumée, son niveau de charge s'affiche en outre sur l'écran de l'ordinateur de bord. Lisez et observez pour cela la notice d'utilisation de la Drive Unit et de l'ordinateur de bord.

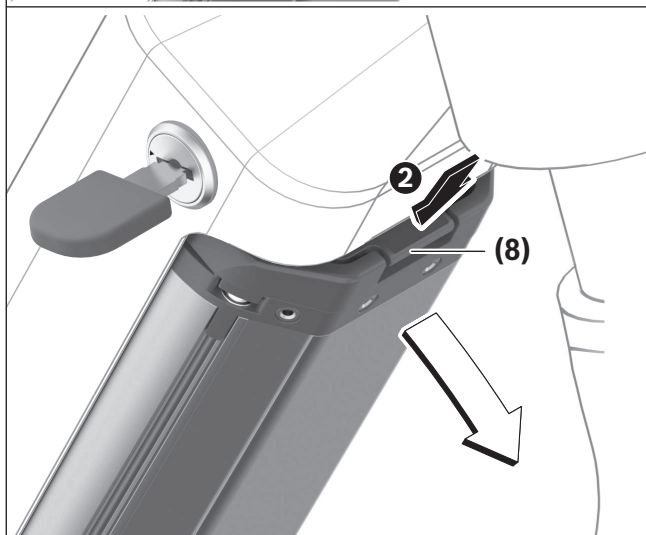
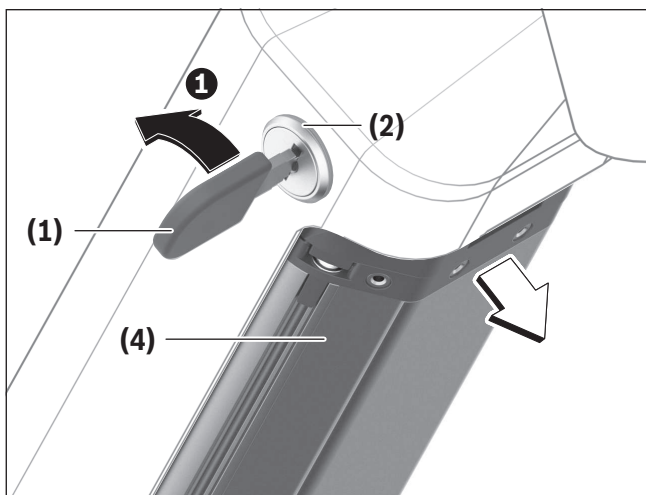
Lorsque la capacité de la batterie de VAE est inférieure à 10 %, la dernière LED restante clignote.

Au terme de la charge, déconnectez la batterie du chargeur et le chargeur du secteur.

Mise en place et retrait de la batterie de VAE

- **Éteignez toujours le VAE et la batterie VAE avant d'insérer la batterie dans sa fixation ou de l'extraire.**
- **Après avoir inséré la batterie de VAE, bougez-la dans toutes les directions pour s'assurer qu'elle est correctement fixée.**

Retrait de la batterie PowerTube (pivotante)



❶ Pour retirer la batterie PowerTube (4), ouvrez la serrure (2) avec la clé (1). La batterie se déverrouille et tombe dans le mécanisme de retenue (8).

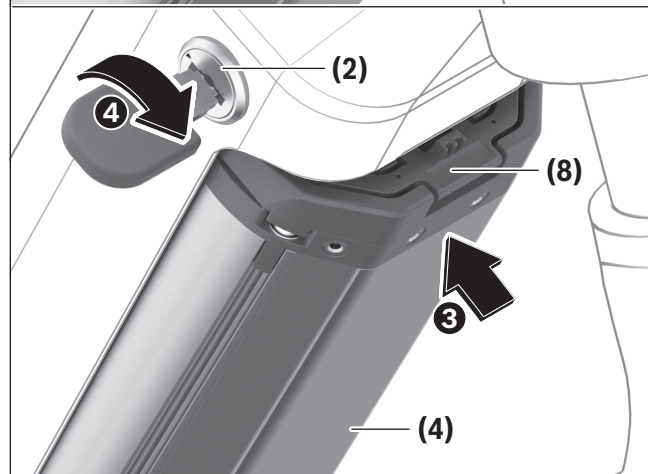
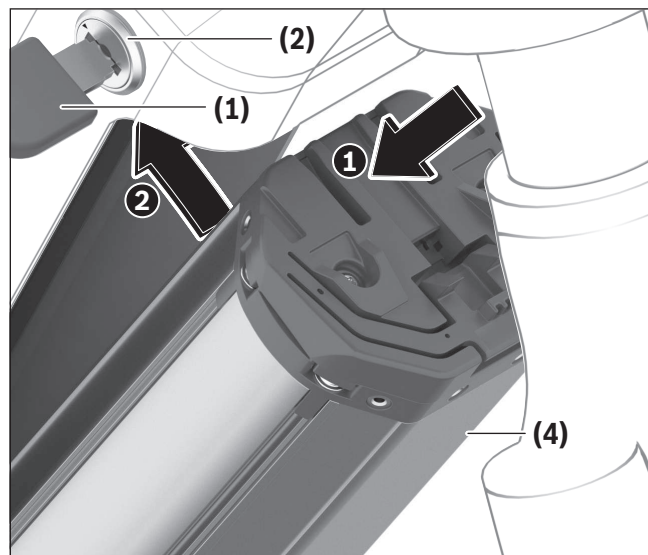
Remarque : Prenez soin de retenir la batterie de VAE avec une main lors de son retrait.

❷ Maintenez la batterie fermement avec une main et appuyez par le haut sur le mécanisme de retenue (8). La batterie se déverrouille complètement et tombe dans votre main. Dégagez ensuite la batterie du cadre.

Remarque : En raison de différences possibles au niveau de la réalisation, il se peut que la marche à

suivre pour la mise en place et le retrait de la batterie diffère quelque peu. Lisez la notice d'utilisation de votre vélo électrique pour en savoir plus.

Mise en place de la batterie PowerTube (pivotante)



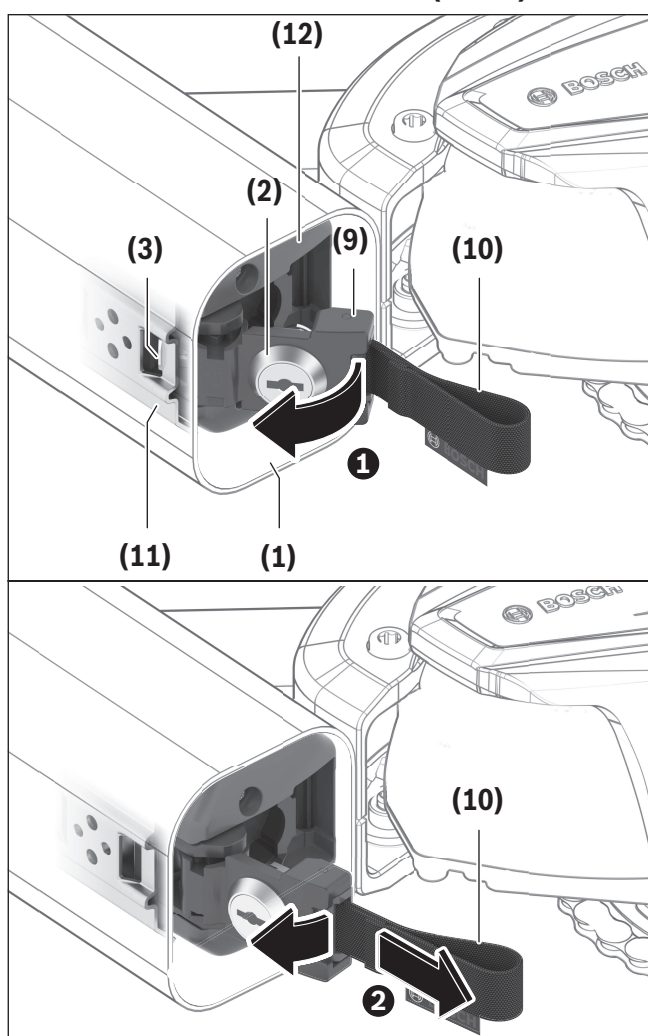
Pour pouvoir mettre en place la batterie, la clé (1) doit se trouver dans la serrure (2) et la serrure doit être ouverte.

❶ Pour mettre en place la batterie PowerTube (4), positionnez-la, côté contacts électriques, dans la fixation inférieure du cadre.

❷ Basculez la batterie vers le haut jusqu'à ce qu'elle soit maintenue en place par le mécanisme de retenue (8).

- ③ Maintenez la serrure ouverte avec la clé et poussez la batterie vers le haut jusqu'à ce qu'elle s'enclenche de manière audible.
- ④ Fermez ensuite toujours la serrure (2) pour que la batterie ne puisse pas s'extraire de sa fixation. Après avoir fermé la serrure, retirez toujours la clé (1) de la serrure (2). La clé ne risque ainsi pas de tomber et la batterie de VAE ne peut pas être retirée par une tierce personne quand le vélo électrique est garé.

Retrait de la batterie PowerTube (axiale)

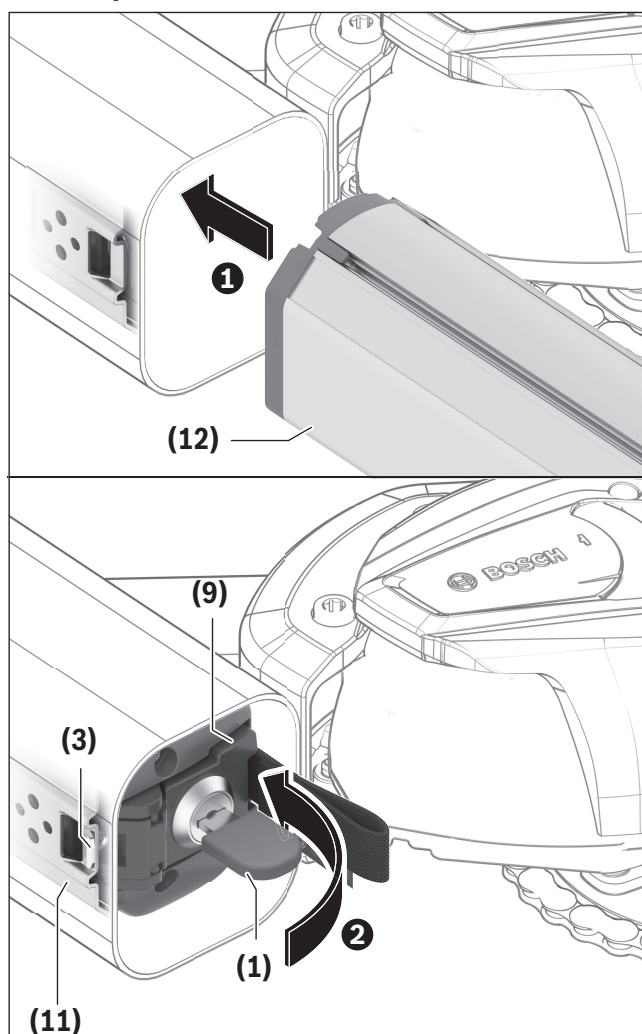


- ① Pour retirer la batterie PowerTube (12), ouvrez la serrure (2) avec la clé (1), retirez la clé (1) et rabattez le verrouillage (9) vers le côté.

- ② Sortez la batterie (12) du cadre en tirant sur la boucle de traction (10) et retenez-la pour ne pas qu'elle tombe.

Remarque : En raison de **différences** possibles au niveau de la réalisation, il se peut que la marche à suivre pour la mise en place et le retrait de la batterie diffère quelque peu. Lisez la notice d'utilisation de votre vélo électrique pour en savoir plus.

Mise en place de la batterie PowerTube (axiale)



Pour que la batterie puisse être insérée, il faut que le verrouillage (9) soit rabattu vers le côté. La clé (1) ne doit à ce moment-là pas se trouver dans la serrure (2).

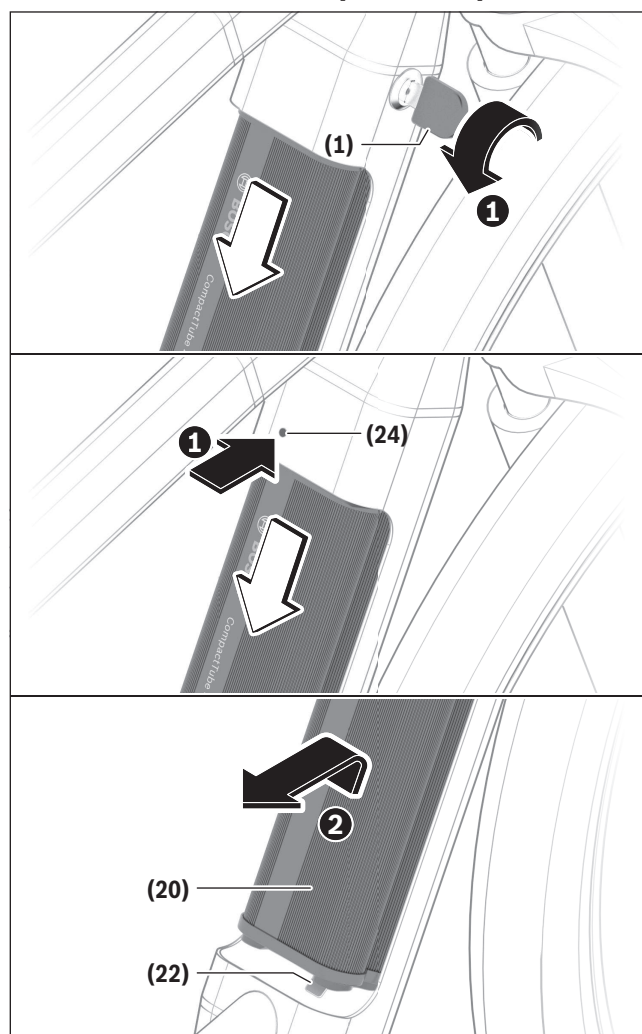
- ❶ Pour mettre en place la batterie PowerTube, insérez-la dans le cadre avec la prise de charge (5) vers le haut jusqu'à ce qu'elle s'enclenche. Vérifiez que la batterie est tournée dans le bon sens.
- ❷ Fermez le verrouillage (9), insérez la clé (1) dans la serrure (2) et verrouillez la batterie. Veillez à ce que le crochet de sécurité (3) soit enclipsé au niveau de l'ouverture de la glissière (11). La batterie risque sinon de tomber pendant la conduite.

Après avoir fermé la serrure, retirez toujours la clé (1) de la serrure (2). La clé ne risque ainsi pas de tomber et la batterie de VAE ne peut pas être retirée par une tierce personne quand le vélo électrique est garé.

Batterie CompactTube (montage fixe)

Les batteries de VAE logées de façon fixe dans le cadre ne doivent être retirées qu'en présence d'un dysfonctionnement. Adressez-vous alors à un revendeur de VAE agréé.

Retrait de la batterie CompactTube (pivotante)



- ❶ Pour retirer la batterie CompactTube (20), ouvrez la serrure (2) avec la clé (1) ou appuyez sur l'élément de déverrouillage (24) avec un objet pointu approprié (p. ex. une clé six pans). La batterie se déverrouille et tombe dans le mécanisme de retenue (22).

Remarque : Prenez soin de retenir la batterie de VAE avec une main lors de son retrait.

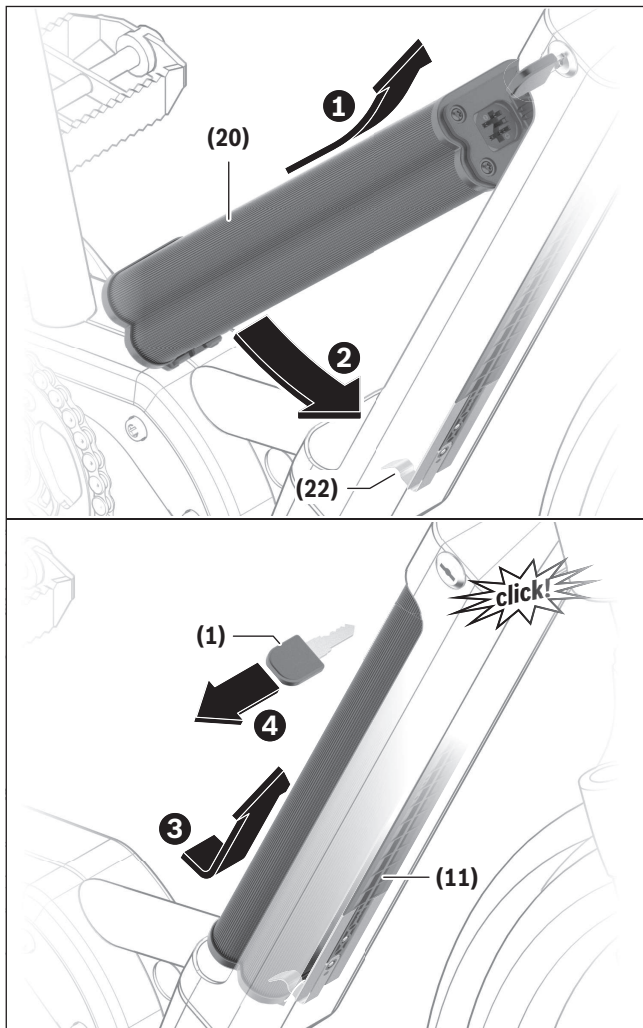
- ❷ Retenez la batterie avec une main, poussez-la légèrement en direction de la serrure (2) et dégagez-la du mécanisme de retenue (22).

Remarque : L'aspect de l'élément de déverrouillage peut varier d'un fabricant à un autre et il peut donc

différer de la représentation sur le graphique. Lisez la notice d'utilisation de votre vélo électrique pour en savoir plus.

Remarque : En raison de **différences** possibles au niveau de la réalisation, il se peut que la marche à suivre pour la mise en place et le retrait de la batterie diffère quelque peu. Lisez la notice d'utilisation de votre vélo électrique pour en savoir plus.

Mise en place de la batterie CompactTube (pivotante)



- 1 Pour mettre en place la batterie CompactTube (20), positionnez-la, côté contacts électriques, dans la fixation supérieure du cadre.

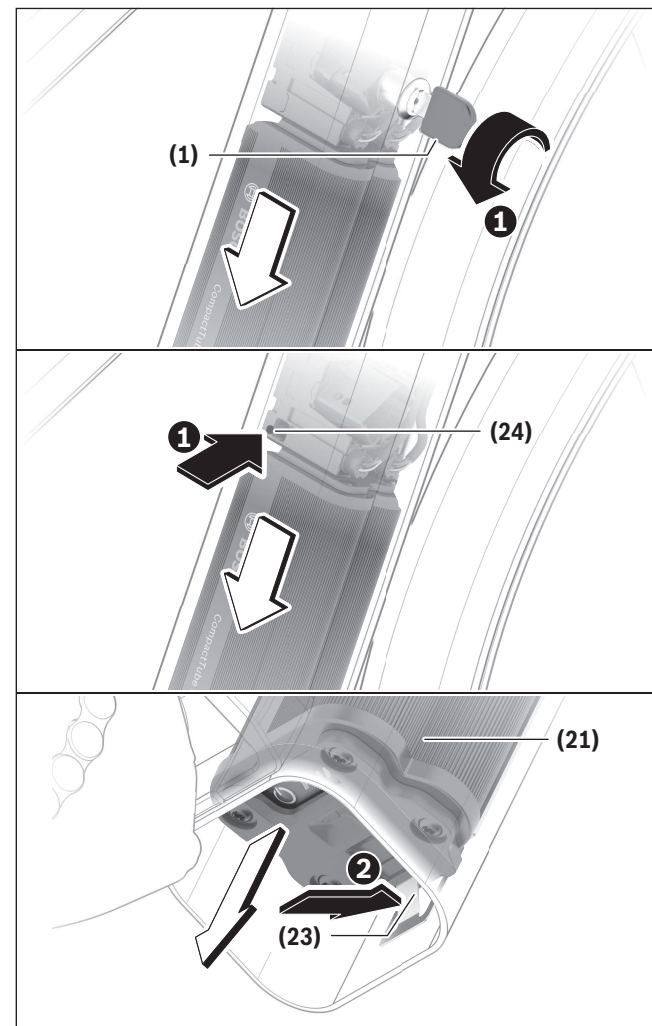
- 2 Rabattez la batterie vers le cadre du vélo jusqu'à ce qu'elle soit maintenue en place par le mécanisme de retenue (22).

- 3 Poussez vers le haut la batterie dans la glissière (11) en direction de la serrure (2) jusqu'à ce qu'elle s'enclenche de manière audible.

- 4 Retirez ensuite la clé (1) de la serrure (2).

Après avoir fermé la serrure, retirez toujours la clé (1) de la serrure (2). La clé ne risque ainsi pas de tomber et la batterie de VAE ne peut pas être retirée par une tierce personne quand le vélo électrique est garé.

Retrait de la batterie CompactTube (axiale)



- 1 Pour retirer la batterie CompactTube (21), ouvrez la serrure (2) avec la clé (1) ou appuyez sur

l'élément de déverrouillage (24) avec un objet pointu approprié (p. ex. une clé six pans). La batterie se déverrouille et tombe dans le mécanisme de retenue (23).

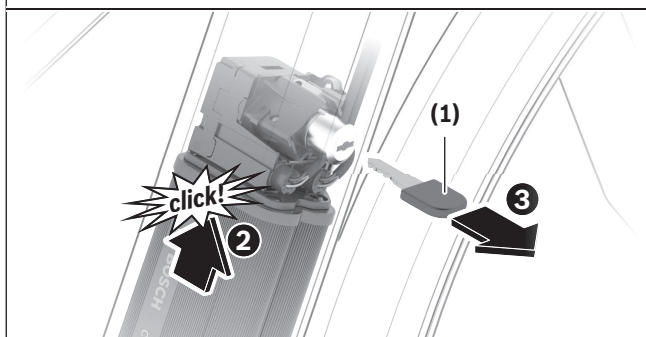
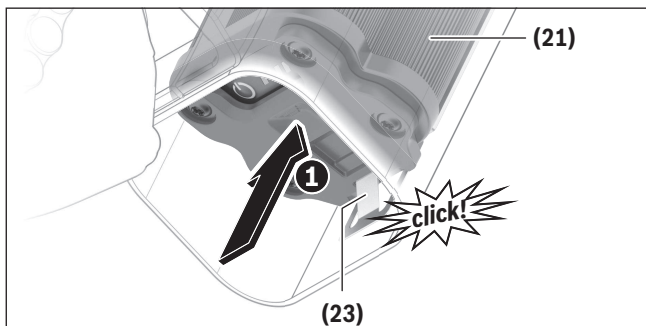
Remarque : Prenez soin de retenir la batterie de VAE avec une main lors de son retrait.

- ② Appuyez sur le mécanisme de retenue (23). Retenez la batterie si elle glisse hors du cadre du vélo. Retirez ensuite la batterie.

Remarque : L'aspect de l'élément de déverrouillage peut varier d'un fabricant à un autre et il peut donc différer de la représentation sur le graphique. Lisez la notice d'utilisation de votre vélo électrique pour en savoir plus.

Remarque : En raison de différences possibles au niveau de la réalisation, il se peut que la marche à suivre pour la mise en place et le retrait de la batterie diffère quelque peu. Lisez la notice d'utilisation de votre vélo électrique pour en savoir plus.

Mise en place de la batterie CompactTube (axiale)



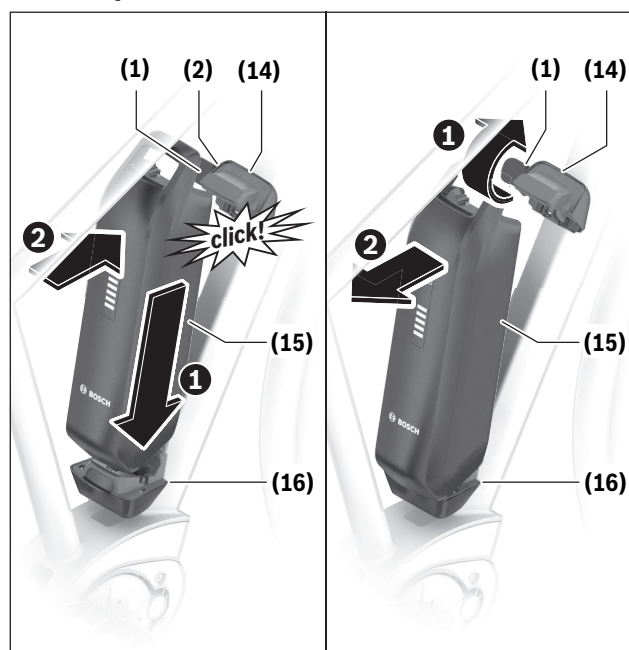
- ① Pour mettre en place la batterie Compact-Tube (21), insérez-la vers le haut dans le cadre avec la prise de charge (5) vers le haut jusqu'à ce qu'elle s'enclenche de manière audible dans

le mécanisme de retenue (23). Vérifiez que la batterie est tournée dans le bon sens.

- ② Poussez la batterie en direction de la serrure (2) jusqu'à ce qu'elle s'enclenche de manière audible dans la serrure (2).
- ③ Retirez ensuite la clé (1) de la serrure (2).

Après avoir fermé la serrure, retirez toujours la clé (1) de la serrure (2). La clé ne risque ainsi pas de tomber et la batterie de VAE ne peut pas être retirée par une tierce personne quand le vélo électrique est garé.

Mise en place et retrait de la batterie PowerPack

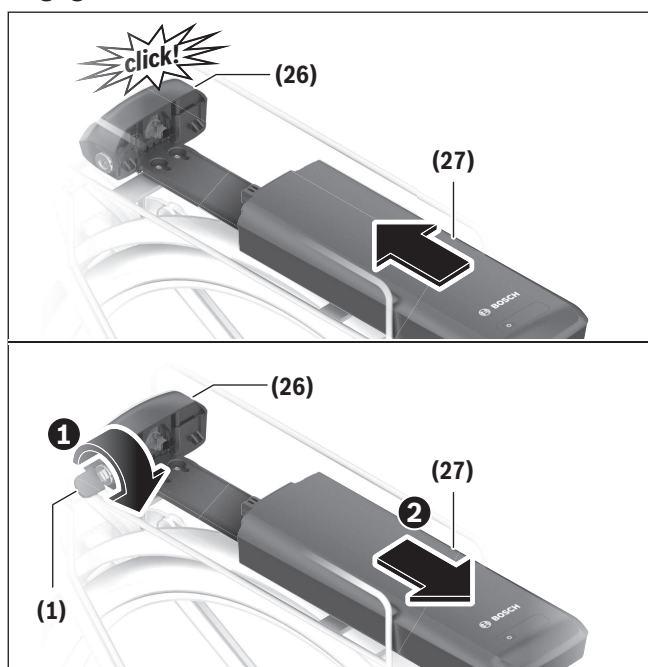


Pour pouvoir insérer la batterie, la clé (1) ne doit pas se trouver dans la serrure (2).

- ① Pour **mettre en place** la batterie Power-Pack (15), placez-la, côté contacts électriques, dans la fixation inférieure (16) du vélo.
- ② Basculez-la ensuite vers l'arrière jusqu'à ce qu'elle s'enclenche audible dans la fixation supérieure (14).
- ① Pour **retirer** la batterie PowerPack (15), éteignez-la puis ouvrez la serrure (2) avec la clé (1).

- ② Délogez la batterie de la fixation supérieure (14) en la basculant et dégagez-la de la fixation inférieure (16).

Mise en place et retrait de la batterie de porte-bagages



Pour que la batterie puisse être insérée, il faut que la serrure (2) soit fermée. La clé (1) ne doit pas se trouver dans la serrure (2).

Pour **mettre en place** la batterie (27), glissez-la, côté contacts, dans la fixation (26) jusqu'à ce qu'elle s'enclenche de manière audible.

Pour **extraire** la batterie (27), éteignez-la puis ouvrez la serrure avec la clé (1) ①.

Délogez la batterie de la fixation (26) ②.

Fonctionnement

Mise en marche

► **N'utilisez que des batteries d'origine Bosch de la génération the smart system (le système intelligent) autorisées par le fabricant de votre vélo électrique.** L'utilisation de toute autre batterie de VAE peut entraîner des blessures et des risques d'incendie. Bosch décline toute responsabilité et exclut tout droit à garantie en cas d'utilisation d'autres batteries de VAE.

Mise en marche/arrêt

L'une des façons d'activer le VAE consiste à allumer la batterie. Lisez et observez pour cela la notice d'utilisation de la Drive Unit et de l'ordinateur de bord.

Avant d'allumer la batterie de VAE ou d'activer le vélo électrique, vérifiez si la serrure **(2)** est fermée à clé.

Pour **allumer** la batterie de VAE, appuyez sur la touche Marche/Arrêt **(7)**. N'utilisez pas d'objet pointu ou tranchant pour appuyer sur la touche. Les LED de l'indicateur **(6)** s'allument et indiquent en même temps le niveau de charge.

► **Vérifiez toujours que la batterie est correctement verrouillée dans sa fixation.** Pour cela, tirez sur la batterie (après avoir retiré la clé).

Remarque : Quand le niveau de charge de la batterie de VAE est inférieur à 5 %, toutes les LED de l'indicateur d'état de charge **(6)** sont éteintes sur la batterie. Seul l'ordinateur de bord/la commande déportée permet de savoir si le vélo électrique est activé ou non. Pour **éteindre** la batterie de VAE, appuyez à nouveau sur la touche Marche/Arrêt **(7)**. Les LED de l'indicateur **(6)** s'éteignent. Le vélo électrique s'éteint alors lui aussi.

Si la Drive Unit n'est pas sollicitée pendant **10** minutes (du fait par ex. que le vélo est à l'arrêt) et que dans le même temps aucune touche de l'ordinateur de bord ou de la commande déportée de votre vélo électrique n'est actionnée, le vélo électrique s'éteint automatiquement.

La batterie est protégée contre les décharges complètes, les surcharges, la surchauffe et les courts-circuits par le « Battery Management System (BMS) ». En cas de danger, un circuit de protection éteint automatiquement la batterie du VAE.



En cas de détection d'un défaut au niveau de la batterie de VAE, deux des LED de l'indicateur d'état de charge **(6)** clignotent. Adressez-vous alors à un revendeur de VAE agréé.

Comportement en cas de dysfonctionnement de la batterie

Il est interdit d'ouvrir les batteries de VAE Bosch, même à des fins de réparation. Les batteries risquent alors de prendre feu, p. ex. suite à un court-circuit. Ce risque subsiste lors de la réutilisation d'une batterie de VAE Bosch ayant été ouverte ce serait-ce **qu'une seule fois**.

En cas de dysfonctionnement de la batterie, ne la faites pas réparer mais faites-la remplacer par une batterie Bosch d'origine de la génération **the smart system (le système intelligent)**.

Transport

► **Pour transporter votre VAE à l'extérieur de votre voiture, par exemple sur une galerie de toit, retirez préalablement l'ordinateur de bord et la batterie (sauf si fixe) afin d'éviter qu'ils soient endommagés.**

Les batteries de VAE sont soumises à la réglementation relative au transport de matières dangereuses. Lors d'un transport par des tiers (par ex. transport aérien ou entreprise de transport), des prescriptions particulières en matière d'emballage et de marquage

doivent être observées (par ex. les prescriptions de l'ADR). Au besoin, faites appel à un expert en transport de matières dangereuses.

Il n'est permis d'expédier des batteries de VAE que si leur boîtier n'est pas endommagé et si elles sont encore en état de marche. Utilisez pour le transport d'une batterie de VAE son emballage Bosch d'origine. Protégez les contacts et emballez la batterie de manière à ce qu'elle ne puisse pas se déplacer dans l'emballage. Prévenez l'expéditeur qu'il s'agit d'un produit classé comme matière dangereuse. Veuillez également respecter les réglementations supplémentaires éventuellement en vigueur dans votre pays.

- **Utilisez toujours un porte-vélos compatible et approuvé lorsque vous transportez votre eBike. Le système d'entraînement Bosch représente un poids supplémentaire pour votre vélo.** Reportez-vous au manuel de votre porte-vélo pour vous assurer que votre eBike est compatible. L'excès de

poids sur un porte-vélos peut entraîner des blessures graves ou mortelles.

- **Utilisez des techniques de levage correctes car les vélos électriques sont généralement plus lourds que les vélos traditionnels.**

Expédiez les accus uniquement si leur boîtier n'est pas endommagé. Protégez les contacts et emballez l'accu de manière à ce qu'il ne puisse pas se déplacer dans l'emballage. Prévenez l'expéditeur qu'il s'agit d'un produit classé comme matière dangereuse. Veuillez également respecter les réglementations supplémentaires éventuellement en vigueur dans votre pays. Vérifiez toujours les réglementations départementales et nationales avant de tenter d'expédier votre batterie.

Pour toute question concernant le transport des batteries de VAE, adressez-vous à un revendeur de VAE agréé. Vous pouvez également commander un emballage de transport approprié auprès d'un revendeur spécialisé.

Maintenance/nettoyage

- **Arrêtez toujours l'accu lorsque vous le montez ou le retirez de son support.** Ne tentez jamais de monter ni de retirer l'accu lorsque vous roulez à vélo.
- **Ne plongez pas vos composants eBike dans l'eau et ne les lavez pas avec un pulvérisateur haute pression.** Votre unité d'entraînement Bosch est conçue pour être étanche à l'eau de pluie ou à un tuyau d'arrosage sans pression.
- **Notez le nom du fabricant et le numéro de la clé.** Si vous perdez les clés, contactez un revendeur eBike Bosch autorisé. Veuillez fournir le nom du fabricant et le numéro de la clé.
- **Ne peignez aucun élément du système d'entraînement Bosch car cela peut entraîner une défaillance prématurée de l'élément.**

Nettoyage

- **Ne plongez pas vos composants eBike dans l'eau et ne les lavez pas avec un pulvérisateur haute**

pression. Votre unité d'entraînement Bosch est conçue pour être étanche à l'eau de pluie ou à un tuyau d'arrosage sans pression.

Maintenez tous les éléments de votre vélo électrique propres, surtout les contacts de l'accu et les supports de fixation. Ne plongez pas dans l'eau les éléments, y compris l'unité de l'entraînement et ne les nettoyez pas à l'aide d'un nettoyeur haute pression. Nettoyez-les soigneusement à l'aide d'un chiffon doux et humide (en utilisant uniquement du savon doux et de l'eau).

Gardez la batterie de VAE propre et évitez tout contact avec des produits de soin de la peau, de la crème solaire et des insecticides. Nettoyez-la avec précaution avec un chiffon doux humide.

Nettoyez occasionnellement les pôles du connecteur et graissez-les légèrement. Utilisez pour cela de la vaseline médicale ou technique.

Service après-vente et conseil utilisateurs

Pour toutes les questions concernant votre vélo électrique et ses éléments, adressez-vous à un vélociste agréé.

Vous trouverez les données de contact de vélocistes agréés sur le site internet www.bosch-ebike.com.

Si la batterie de VAE ne fonctionne plus, adressez-vous à un revendeur de VAE agréé.

Stockage

La durée de vie de la batterie de VAE peut être prolongée si elle est bien entretenue et surtout si elle est utilisée et stockée à des températures appropriées.

Toutefois, en dépit d'un bon entretien, la capacité de la batterie de VAE se réduira avec l'âge.

Si l'autonomie de la batterie de VAE diminue fortement au fil des recharges, c'est que la batterie est arrivée en fin de vie et qu'elle doit être remplacée. Vous pouvez la remplacer vous-même en achetant une batterie de VAE Bosch d'origine auprès d'un vélociste agréé.

Recharge d'une batterie de VAE avant et pendant son stockage

Avant une longue durée de non-utilisation de votre vélo (plus de 3 mois), rechargez la batterie de VAE à environ 30 %–60 % (correspond à l'allumage de 2 à 3 LED de l'indicateur de l'état de charge **(6)**).

Contrôlez le niveau de charge après 6 mois. Au cas où une seule des LED de l'indicateur d'état de charge **(6)** est allumée, rechargez la batterie de VAE à environ 30 %–60 %.

Remarque : Une batterie de VAE qui reste déchargée pendant une durée prolongée risque de se détériorer malgré sa faible autodécharge et sa capacité peut être considérablement réduite.

Il est déconseillé de laisser la batterie de VAE raccordée en permanence au chargeur.

Conditions de stockage

Dans la mesure du possible, rangez la batterie de VAE dans un endroit sec et bien aéré. Protégez-la de l'humidité et de l'eau. Dans des conditions climatiques défavorables, il est recommandé de retirer la batterie du vélo électrique et de la ranger dans un local fermé jusqu'à la prochaine utilisation.

Lieux de rangement **à proscrire** pour les batteries de VAE :

- dans des locaux non équipés d'un détecteur de fumées
- à proximité de matières combustibles ou facilement inflammables
- à proximité de sources de chaleur
- dans des véhicules fermés (surtout en été)
- endroits directement exposés au soleil




Pour prolonger la durée de vie d'une batterie de VAE, rangez-la à la température ambiante.

Évitez à tout prix les températures inférieures à **14 °F** ou supérieures à **140 °F**.

Veillez à ne pas dépasser la température de stockage maximale admissible.

Il est recommandé de ne pas laisser la batterie de VAE sur le vélo pendant les longues périodes de non-utilisation du vélo.

Résolution des problèmes

Cause	Remède
 <p>Batterie défectueuse</p>	<p>Deux LED de la batterie de VAE clignotent. Adressez-vous à un revendeur de VAE agréé.</p>
 <p>La batterie est trop chaude ou trop froide</p>	<p>Trois LED de la batterie de VAE clignotent. Déconnectez la batterie de VAE du chargeur jusqu'à ce qu'elle revienne dans la plage de températures de charge admissible. Ne rebranchez la batterie de VAE au chargeur qu'une fois qu'elle se trouve à nouveau dans la plage de températures admissible.</p>
 <p>Le chargeur ne charge pas.</p>	<p>Aucune LED ne clignote (selon le niveau de charge de la batterie, une ou plusieurs LED sont allumées en permanence). Adressez-vous à un revendeur de VAE agréé.</p>
<p>Recharge impossible (pas d'affichage sur la batterie de VAE)</p>	
<p>Le câble n'est pas correctement branché</p>	<p>Contrôlez tous les connecteurs.</p>
<p>Contacts de la batterie de VAE encrassés</p>	<p>Nettoyez avec précaution les contacts électriques de la batterie de VAE.</p>
<p>Prise de courant, câble ou chargeur défectueux</p>	<p>Vérifiez la tension du secteur, faites contrôler le chargeur par un revendeur de VAE.</p>
<p>Batterie de VAE défectueuse</p>	<p>Adressez-vous à un revendeur de VAE agréé.</p>

Programme de recyclage des accus



La Drive Unit, l'ordinateur de bord, la commande déportée, la batterie VAE, le capteur de vitesse, les accessoires et l'emballage doivent être rapportés à un centre de recyclage respectueux de l'environnement.

Ne jetez pas les systèmes eBike et leurs éléments constitutifs dans les ordures ménagères !

Avant de mettre au rebut une batterie, appliquez du ruban adhésif autour des surfaces de contact des pôles.

Ne saisissez pas les batteries de VAE fortement endommagées avec les mains car de l'électrolyte risque de s'échapper et de provoquer des brûlures de la peau. Conservez la batterie défectueuse dans un lieu sûr à l'extérieur. Recouvrez les pôles avec du ruban adhésif et informez votre revendeur. Il vous indiquera comment vous débarrasser de la batterie en conformité avec la législation.



Pour recycler votre batterie Bosch, appelez le 1.800.822.8837.

Índice

Introducción	2
Acerca de las advertencias	2
Advertencias generales	2
Utilización de sus Instrucciones de servicio	3
Etiquetas de advertencia en el producto	4
Manejo de las baterías de litio	7
Indicaciones de seguridad para acumuladores de eBikes de Bosch	7
Descripción del producto y servicio	9
Montaje.....	17
Operación	24
Transporte.....	24
Mantenimiento/Limpieza	25
Almacenamiento	26
Resolución de problemas	27
Programa de reciclaje de baterías	28

Introducción

Acerca de las advertencias

Este manual contiene muchos **PELIGROS**, **ADVERTENCIAS**, y **PRECAUCIONES** sobre las consecuencias de una falta de uso, montaje, mantenimiento, almacenamiento, inspección y eliminación de una eBike equipada por Bosch de modo seguro.

– La combinación del símbolo de alerta de seguridad y la palabra **PELIGRO** indica una situación peligrosa que, si no se evita, ocasionará la muerte o lesiones graves.

– La combinación del símbolo de alerta de seguridad y la palabra **ADVERTENCIA** indica una situación peligrosa que, si no se evita, podría provocar la muerte o lesiones graves.

– La combinación del símbolo de alerta de seguridad y la palabra **PRECAUCIÓN** indica una situación peligrosa que, si no se evita, podría ocasionar lesiones leves o moderadas.

Advertencias generales



Lea íntegramente todas las indicaciones de seguridad e instrucciones. No seguir las advertencias e instrucciones siguientes puede provocar la muerte o lesiones graves.

Guarde todas las indicaciones de seguridad e instrucciones para posibles consultas futuras.

El término **Acumulador para eBike** utilizado en estas instrucciones de servicio se refiere a todos los acumuladores originales para eBike de Bosch de la generación del sistema **the smart system (el smart system)**.

► **Lea TODOS los manuales incluidos antes de montar en la bicicleta por primera vez.** Su sistema de accionamiento de Bosch incluye manuales y documentación adicionales proporcionados por el fabricante de la bicicleta y de otros componentes. No leer o desconocer la información de seguridad puede provocar la muerte o lesiones graves.

⚠ ADVERTENCIA

► **Este manual contiene información importante de seguridad, rendimiento y mantenimiento.** Léalo antes de usar su nueva bicicleta y guárdelo a modo de referencia. Puede encontrar el manual también en línea en www.bosch-ebike.com.

► **Este manual está previsto para su lectura junto con el manual de usuario aparte que venía con su bicicleta.** Antes de usar la bici por primera vez, asegúrese de leer toda la documentación facilitada, incluidas las etiquetas que lleva el producto.

► **Por su propia SEGURIDAD, sea responsable.** Si tiene dudas o no entiende algo, consúltelo con su distribuidor o con el fabricante de la bicicleta o del componente.

► **Algunos accesorios de la eBike pueden suponer un peligro de atragantamiento para los niños pequeños.** Mantenga esos accesorios alejados de los niños.

⚠ PRECAUCIÓN

► **El sistema de accionamiento de Bosch incrementa el peso de su bicicleta, que puede que no esté acostumbrado a levantar.** Evite las lesiones; utilice técnicas de elevación adecuadas.

Utilización de sus Instrucciones de servicio

Además de las funciones aquí representadas, puede ser que se introduzcan en cualquier momento modificaciones de software para la eliminación de errores y modificaciones de funciones.

Gráficos

La bicicleta que se muestra en este manual puede diferir ligeramente de la suya; no obstante, las similitudes son suficientes para ayudarle a entender nuestras instrucciones.

Los lados DERECHO e IZQUIERDO se indican mirando en el sentido que la bicicleta tendrá al circular hacia delante. Si ve una línea discontinua (-----), el elemento al que se refiere está oculto a la vista.

Etiquetas de advertencia en el producto

A



BOSCH
Robert Bosch GmbH
72757 Reutlingen
Germany
www.bosch-ebike.com







!!! 警告: 使用前に取扱説明書を読むこと。分解、改造、端子の短絡、火気への投入禁止。故障が疑われる時は使用を停止する。専用充電器を使用すること。

!!! 주의사항: 1. 사용전 반드시 사용설명서를 읽어주시기 바랍니다. 2. 비오는 날이나 가연성 폭발물 근처에서는 사용하지 마세요.





Li-ion 20

⚠ WARNING To reduce the risk of injury, explosion, or fire, user must read instruction manual. Charge battery only with Bosch eBike chargers. • Do not crush, puncture, disassemble, short terminals, or dispose in fire. • Do not use battery once it has been impacted, sustained water damage or visibly damaged.

⚠ AVERTISSEMENT L'utilisateur doit lire le mode d'emploi pour réduire le risqué de blessure, d'explosion ou d'incendie. • Ne charger la pile qu'avec un chargeur Bosch eBike. • Ne pas écraser, perforer, démonter, court-circuiter les bornes ou jeter dans un feu. • Ne pas réutiliser la pile si elle a subi un choc, des dégâts causés par l'eau ou d'autres dommages visibles.

B



BOSCH
Robert Bosch GmbH
72757 Reutlingen
Germany
www.bosch-ebike.com







警告: 可充電之二次鋰電池組; 依照說明書指示使用電池。使用專用充電器。廢電池請回收。

!!! 警告: 使用前に取扱説明書を読むこと。分解、改造、端子の短絡、火気への投入禁止。故障が疑われる時は使用を停止する。専用充電器を使用すること。

!!! 주의사항: 1. 사용전 반드시 사용설명서를 읽어주시기 바랍니다. 2. 비오는 날이나 가연성 폭발물 근처에서는 사용하지 마세요.





Li-ion 20

⚠ WARNING To reduce the risk of injury, explosion, or fire, user must read instruction manual. Charge battery only with Bosch eBike chargers. • Do not crush, puncture, disassemble, short terminals, or dispose in fire. • Do not use battery once it has been impacted, sustained water damage or visibly damaged.

⚠ AVERTISSEMENT L'utilisateur doit lire le mode d'emploi pour réduire le risqué de blessure, d'explosion ou d'incendie. • Ne charger la pile qu'avec un chargeur Bosch eBike. • Ne pas écraser, perforer, démonter, court-circuiter les bornes ou jeter dans un feu. • Ne pas réutiliser la pile si elle a subi un choc, des dégâts causés par l'eau ou d'autres dommages visibles.

C



BOSCH
Robert Bosch GmbH
72757 Reutlingen
Germany
www.bosch-ebike.com







⚠ WARNING To reduce the risk of injury, explosion, or fire, user must read instruction manual. Charge battery only with Bosch eBike chargers. • Do not crush, puncture, disassemble, short terminals, or dispose in fire. • Do not use battery once it has been impacted, sustained water damage or visibly damaged.

⚠ AVERTISSEMENT L'utilisateur doit lire le mode d'emploi pour réduire le risqué de blessure, d'explosion ou d'incendie. • Ne charger la pile qu'avec un chargeur Bosch eBike. • Ne pas écraser, perforer, démonter, court-circuiter les bornes ou jeter dans un feu. • Ne pas réutiliser la pile si elle a subi un choc, des dégâts causés par l'eau ou d'autres dommages visibles.

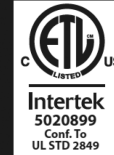
D

BOSCH
Robert Bosch GmbH
72757 Reutlingen
Germany



⚠ WARNING To reduce the risk of injury, explosion, or fire, user must read instruction manual. Charge battery only with Bosch eBike chargers. • Do not crush, puncture, disassemble, short terminals, or dispose in fire. • Do not use battery once it has been impacted, sustained water damage or visibly damaged.

⚠ AVERTISSEMENT L'utilisateur doit lire le mode d'emploi pour réduire le risque de blessure, d'explosion ou d'incendie. • Ne charger la pile qu'avec un chargeur Bosch eBike. • Ne pas écraser, perforer, démonter, court-circuiter les bornes ou jeter dans un feu. • Ne pas réutiliser la pile si elle a subi un choc, des dégâts causés par l'eau ou d'autres dommages visibles.



E

BOSCH
Robert Bosch GmbH
72757 Reutlingen
Germany
www.bosch-ebike.com



⚠ WARNING To reduce the risk of injury, explosion, or fire, user must read instruction manual. • Do not crush, puncture, disassemble, short terminals, or dispose in fire. • Do not use battery once it has been impacted, sustained water damage or visibly damaged. • Charge battery only with Bosch eBike chargers.

⚠ AVERTISSEMENT L'utilisateur doit lire le mode d'emploi pour réduire le risque de blessure, explosion ou d'incendie. • Ne pas écraser, perforer, démonter, court-circuiter les bornes ou jeter dans un feu. • Ne pas réutiliser la pile si elle a subi un choc, des dégâts causés par l'eau ou d'autres dommages visibles. • Ne charger la pile qu'avec un chargeur Bosch eBike.

⚠ 警告
使用前に取扱説明書を読むこと
分解、改造、端子の短絡、火気への投入禁止
故障が疑われる時は使用を停止すること
専用充電器を使用すること

⚠ 경고, 警告
주의사항1. 사용 전 반드시 사용 설명서를 읽어 주시기 바랍니다.
2. 비오를 날이나 가연성 폭발물 근처에서는 사용하지 마세요.
可充電之二次鋰電池組 依照說明書指示使用電池, 使用
專用充電器, 廢電池請回收



A-C Indicaciones de seguridad para PowerPack
Frame

Nota: Las etiquetas representadas pueden diferir de las etiquetas del producto.

D Indicaciones de seguridad para PowerPack
Rack

E Indicaciones de seguridad para PowerTube

F Indicaciones de seguridad para CompactTube

- **Para la protección del usuario, se han colocado etiquetas de advertencia en el sistema eBike de Bosch. Lea y siga las instrucciones de las etiquetas del producto con atención. Si una etiqueta deja de ser legible o se despega, póngase en contacto con su proveedor de bicicletas de Bosch para obtener otra de repuesto. Bosch proporciona etiquetas de seguridad de repuesto de forma gratuita.**

Manejo de las baterías de litio

Indicaciones de seguridad para acumuladores de eBikes de Bosch



Lea y conozca todas las indicaciones de seguridad y las instrucciones.

No seguir las advertencias siguientes puede provocar la muerte o lesiones graves.

Guarde todas las indicaciones de seguridad e instrucciones para posibles consultas futuras.

El término **Acumulador para eBike** utilizado en estas instrucciones de servicio se refiere a todos los acumuladores originales para eBike de Bosch de la generación del sistema **the smart system (el smart system)**.

Los términos **Accionamiento** y **Unidad de accionamiento** utilizados en estas instrucciones de servicio se refieren a todas las unidades de accionamiento originales Bosch de la generación del sistema **the smart system (el smart system)**.

El término **Cargador** utilizado en estas instrucciones de servicio se refiere a todos los cargadores de Bosch de la generación del sistema **the smart system (el smart system)**.

- ▶ **Lea y siga todas las indicaciones de seguridad e instrucciones de todos los manuales de uso del sistema eBike, así como las instrucciones de uso de su eBike.**
- ▶ **Retire la batería de la eBike antes de iniciar cualquier trabajo (por ejemplo: inspección, reparación, montaje, mantenimiento, trabajos en la cadena, etc.) en la eBike. En el caso de las baterías de la eBike instaladas permanentemente, preste especial atención a que la eBike no pueda encenderse.** Existe peligro de lesiones si se activa involuntariamente la eBike.
- ▶ **Usted mismo no puede extraer las baterías de la eBike instaladas permanentemente. Encargue el montaje y desmontaje de las baterías de la eBike**

instaladas permanentemente al distribuidor autorizado.

⚠ PELIGRO

- ▶ **No perfore ni aplaste el paquete de baterías. No afecte ni modifique de ninguna manera el paquete de baterías.** No use el paquete de baterías si muestra daños visibles. Existe peligro de incendio o explosión que puede causar la muerte o lesiones graves.



Proteja la batería contra el calor (p.ej. temperatura > 140 °F), fuego e inmersión en agua. Peligro de explosión.

⚠ ADVERTENCIA

- ▶ **Utilice solo paquetes de baterías originales de Bosch aprobados para su eBike por el fabricante y comprados en una fuente confiable.** El uso de paquetes de baterías no aprobados o falsificados puede provocar la muerte o lesiones graves.
- ▶ **No intente abrir la batería de la eBike.** Podría provocar un cortocircuito. Si se abre la batería de la eBike se denegará la garantía.
- ▶ **Si no utiliza la batería de la eBike, guárdela separada de clips, monedas, llaves, clavos, tornillos o demás objetos metálicos que pudieran puentear sus contactos.** El cortocircuito de los contactos puede causar quemaduras o un incendio. En los daños derivados de un cortocircuito por los motivos antedichos Bosch anula cualquier derecho a garantía.
- ▶ **Evite las cargas mecánicas o una fuerte acción del calor.** Ésto podría dañar los elementos de batería y conducir a la salida de materiales contenidos inflamables.
- ▶ **Mantenga el cargador y la batería de la eBike alejados de cualquier material inflamable. Car-**

gue siempre las baterías de la eBike en lugares secos y protegidos contra incendios. Existe riesgo de incendio si se produce un aumento de la temperatura durante la carga.

- ▶ **No debe dejarse cargando la batería de la eBike sin la debida vigilancia.**
- ▶ **La utilización inadecuada de la batería de la eBike puede provocar fugas de líquido. Evite el contacto con él. En caso de un contacto enjuagar con abundante agua. En caso de un contacto del líquido con los ojos recurra además inmediatamente a un médico.** El líquido puede irritar la piel o producir quemaduras.
- ▶ **Las baterías de eBikes no deben estar expuestas a golpes mecánicos.** Existe el riesgo de que la batería de la eBike se dañe.
- ▶ **Si se daña la batería de la eBike o se utiliza de forma indebida, pueden salir vapores. En tal caso, busque un entorno con aire fresco y acuda a un médico si nota molestias.** Los vapores pueden irritar las vías respiratorias.
- ▶ **No cargue ni utilice la eBike en lugares con una atmósfera potencialmente explosiva, como gasolineras, ni en zonas en las que el aire contenga productos químicos o partículas (como semillas, polvo o polvo de metales).** Obedezca todas las señales e instrucciones.
- ▶ **Cargue la batería de la eBike solo con un cargador original de Bosch de la generación del sistema the smart system (el smart system).** Peligro de incendio al utilizar cargadores de otros fabricantes.
- ▶ **Utilice la batería de la eBike solo con eBikes de la generación del sistema the smart system (el smart system).** Solamente así queda protegida la batería de la eBike frente a una sobrecarga peligrosa.
- ▶ **Utilice únicamente baterías de eBikes originales de Bosch de la generación del sistema the smart system (el smart system) autorizadas por el fabricante para su eBike.** El uso de otro tipo de ba-

terías de eBikes puede acarrear lesiones e incluso un incendio. Si se usan baterías de eBikes de otro tipo, Bosch declina cualquier responsabilidad y el derecho a garantía.

- ▶ **Mantenga la batería de la eBike alejada de los niños.**

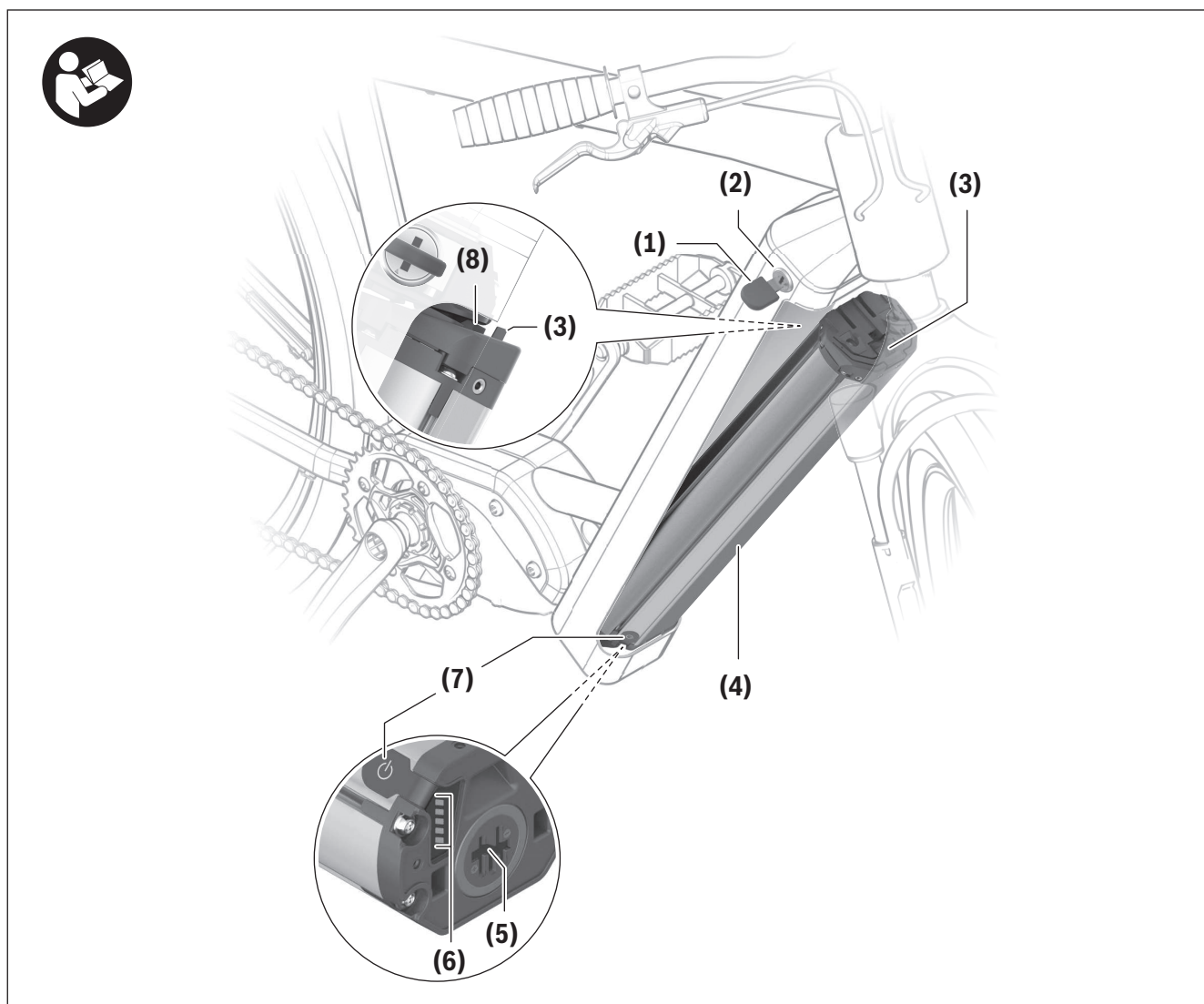
Para nosotros es muy importante la seguridad de nuestros clientes y productos. Nuestras baterías para eBike son baterías de iones de litio que se han desarrollado y fabricado según el estado de la técnica. Cumplimos o superamos los estándares de seguridad pertinentes. En estado cargado, las baterías de iones de litio tienen un alto contenido de energía. En el caso de un defecto (posiblemente no detectable desde el exterior), las baterías de iones de litio pueden incendiarse en casos muy raros y en circunstancias desfavorables.

Indicación de protección de datos

Al conectar la eBike a **Bosch DiagnosticTool 3** o sustituir componentes de la eBike, se transmite a Bosch eBike Systems (Robert Bosch GmbH) información técnica sobre su eBike (p.ej., fabricante, modelo, ID de la bicicleta, datos de configuración), así como sobre el uso de la eBike (p.ej., tiempo total de uso, consumo de energía, temperatura) para tramitar su solicitud, en caso de servicio técnico y con fines de mejora del producto. Más información sobre el procesamiento de datos se encuentran en www.bosch-ebike.com/privacy-full.

Descripción del producto y servicio

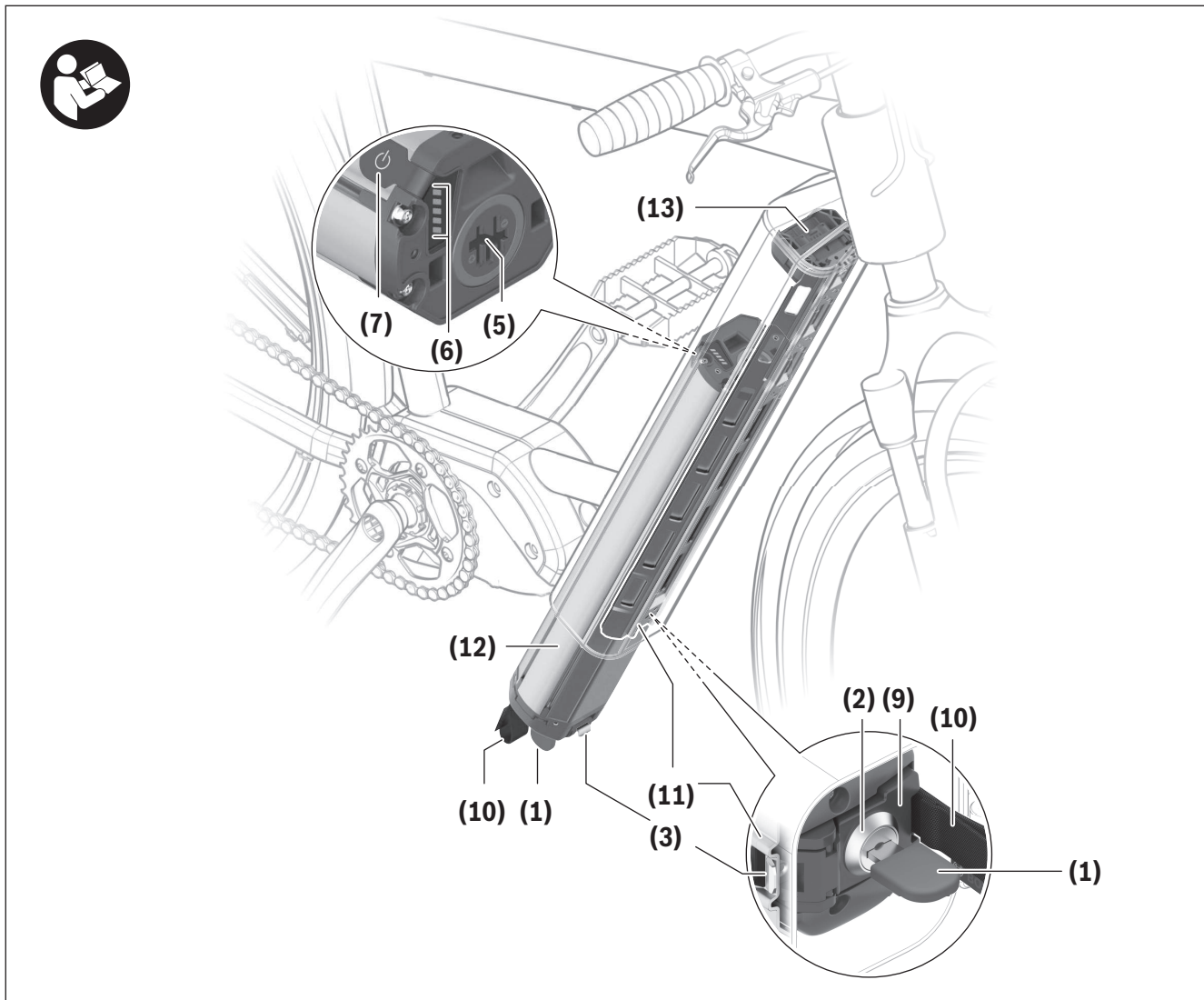
Características del producto PowerTube



Todas las representaciones de los componentes de la bicicleta, a excepción de las baterías y sus soportes, se muestran de manera esquemática y pueden diferir de su eBike.

- (1)** Llave de la cerradura del acumulador
- (2)** Cerradura del acumulador
- (3)** Gancho de retención del acumulador PowerTube

- (4)** Acumulador PowerTube (Pivot)
- (5)** Conector hembra para el cargador
- (6)** Indicador del estado de funcionamiento y de carga
- (7)** Tecla de conexión/desconexión
- (8)** Dispositivo de retención del acumulador PowerTube

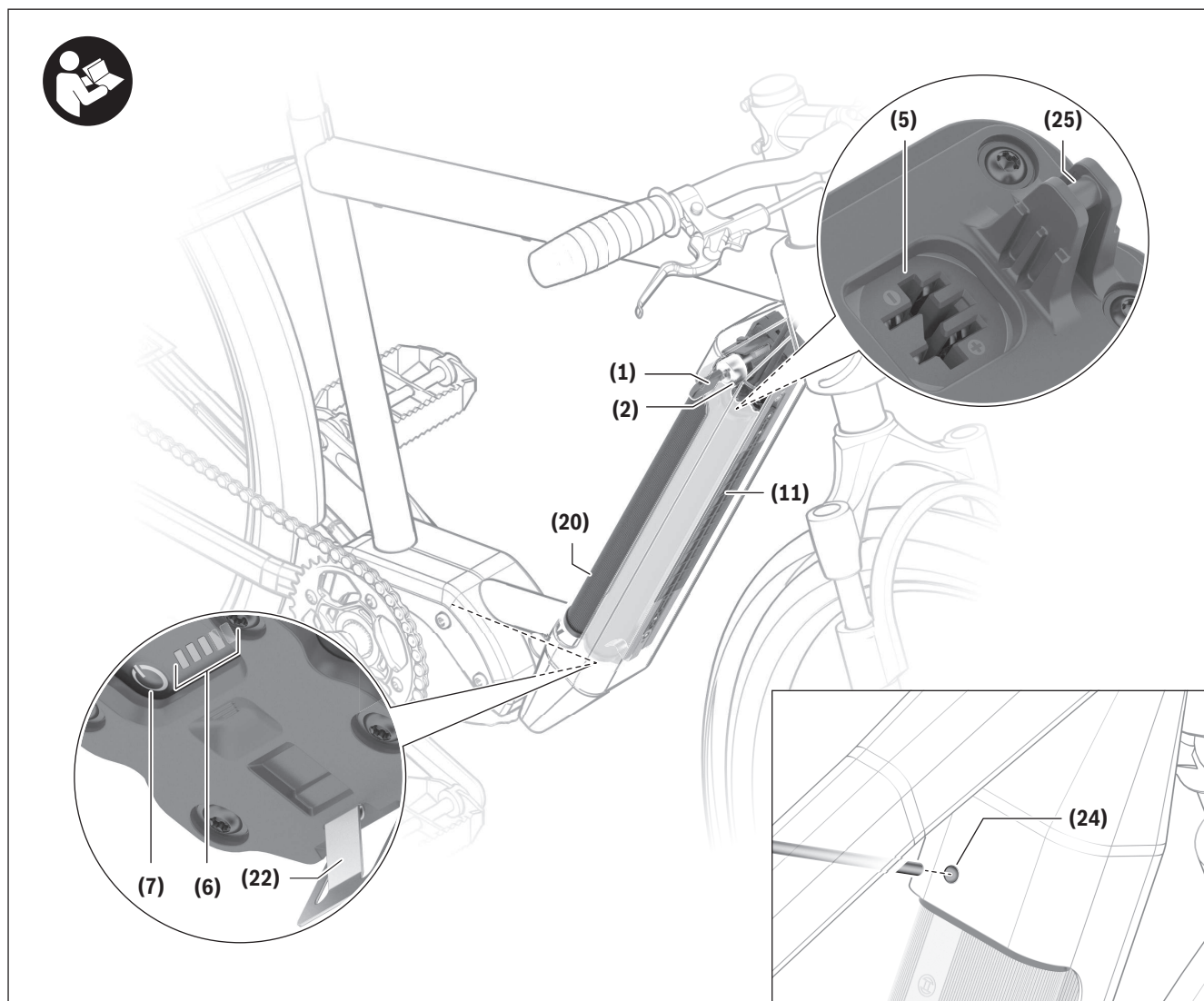


Todas las representaciones de los componentes de la bicicleta, a excepción de las baterías y sus soportes, se muestran de manera esquemática y pueden diferir de su eBike.

- (1)** Llave de la cerradura del acumulador
- (2)** Cerradura del acumulador
- (3)** Gancho de retención del acumulador PowerTube
- (5)** Conector hembra para el cargador
- (6)** Indicador del estado de funcionamiento y de carga
- (7)** Tecla de conexión/desconexión

- (9)** Enclavamiento
- (10)** Lazo de tracción
- (11)** Riel axial
- (12)** Acumulador PowerTube (Axial)
- (13)** Soporte superior de PowerTube Axial

Características del producto CompactTube

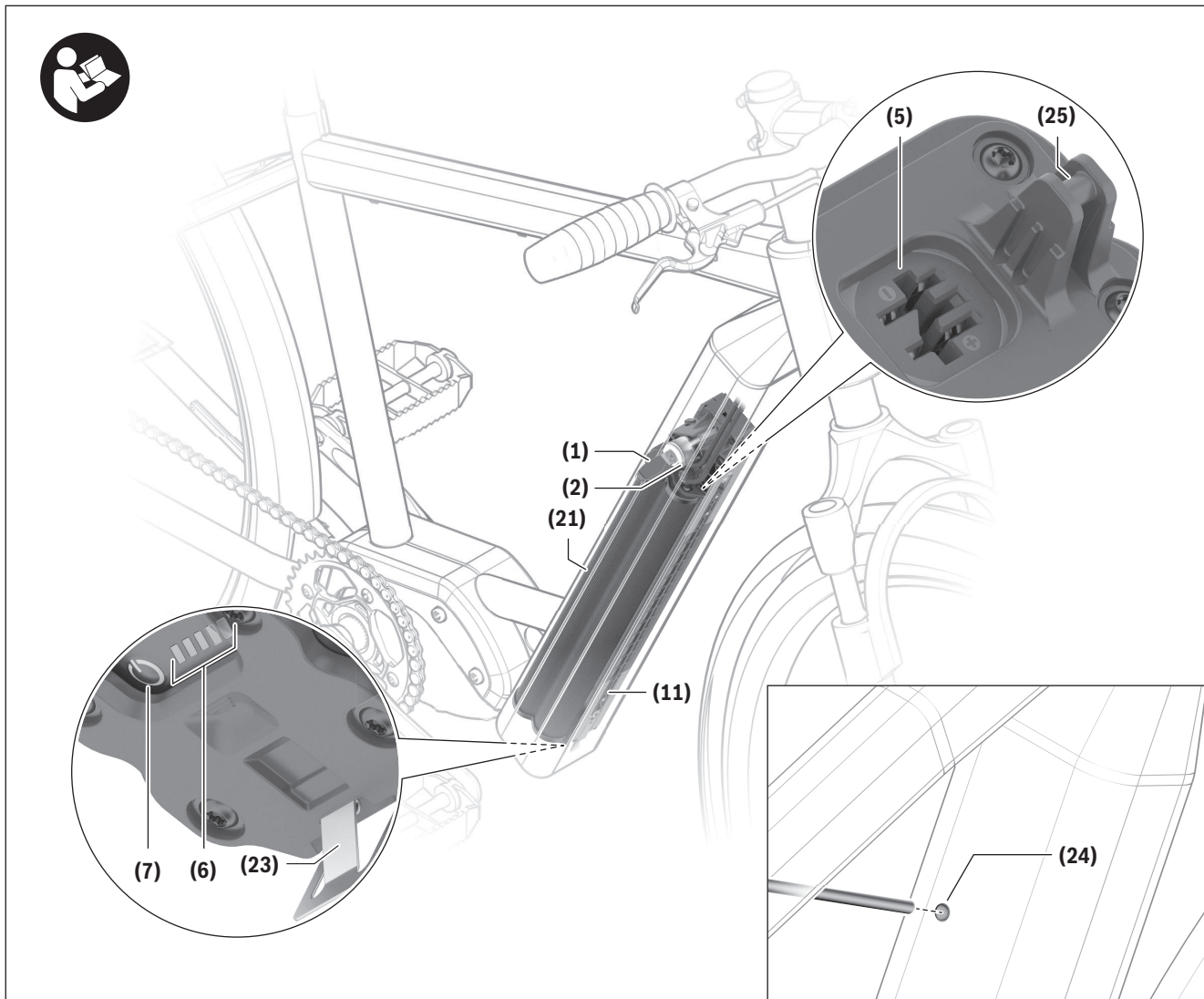


Todas las representaciones de los componentes de la bicicleta, a excepción de las baterías y sus soportes, se muestran de manera esquemática y pueden diferir de su eBike.

- (1)** Llave del bloqueo de la batería
- (2)** Bloqueo de la batería
- (5)** Toma para el cargador
- (6)** Indicador del estado de funcionamiento y de carga

- (7)** Tecla de conexión/desconexión
- (9)** Enclavamiento
- (11)** Riel axial
- (20)** Batería CompactTube (Pivot)
- (22)** Sistema de retención de la batería CompactTube (Pivot)
- (24)** Elemento de desbloqueo CompactTube^{a)}
- (25)** Elemento de retención CompactTube

a) Diferentes realizaciones constructivas posibles

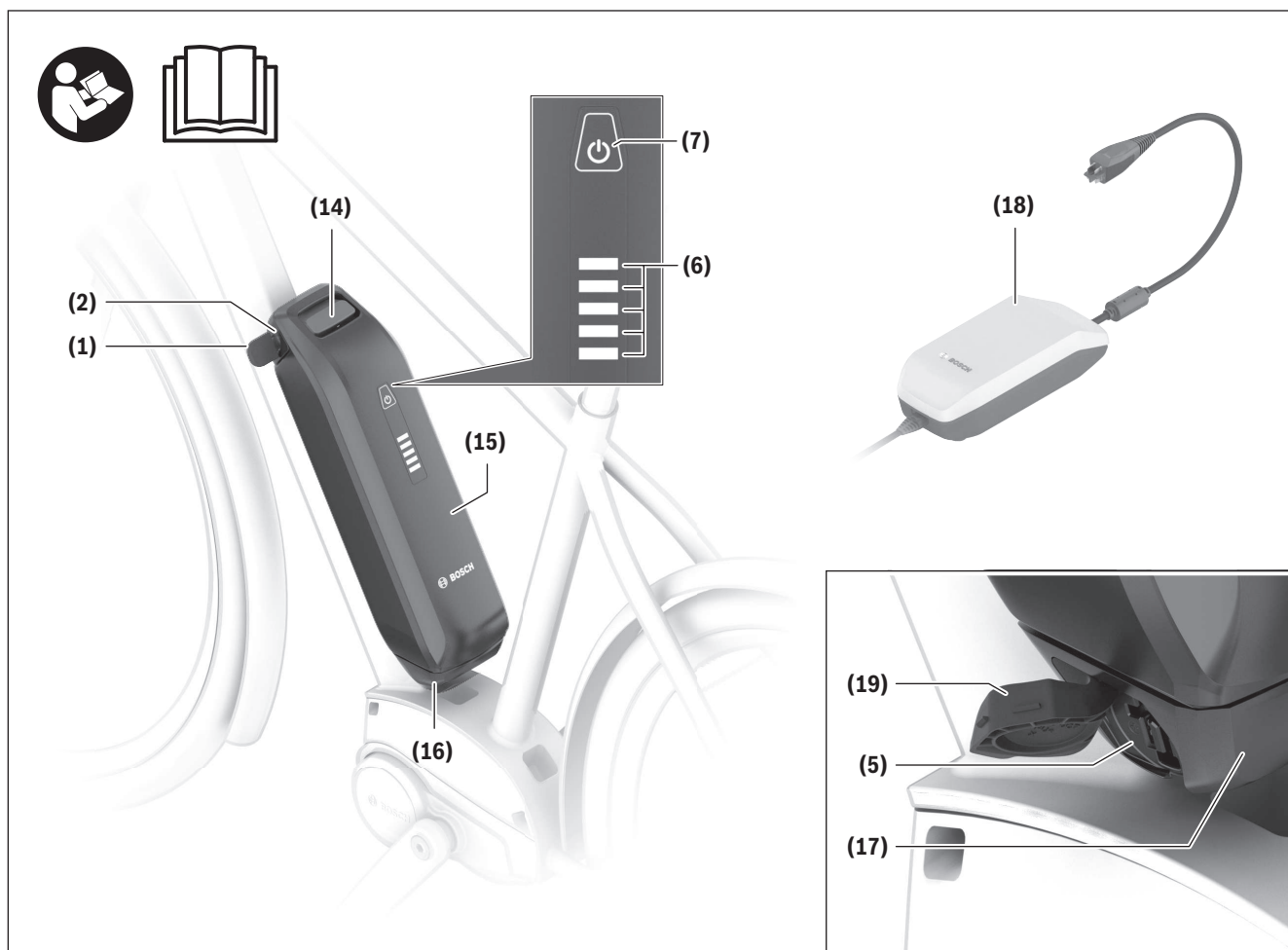


Todas las representaciones de los componentes de la bicicleta, a excepción de las baterías y sus soportes, se muestran de manera esquemática y pueden diferir de su eBike.

- (1)** Llave del bloqueo de la batería
- (2)** Bloqueo de la batería
- (5)** Toma para el cargador
- (6)** Indicador del estado de funcionamiento y de carga
- (7)** Tecla de conexión/desconexión
- (9)** Enclavamiento
- (11)** Riel axial

- (21)** Batería CompactTube (Axial)
 - (23)** Sistema de retención de la batería CompactTube (Axial)
 - (24)** Elemento de desbloqueo CompactTube^{a)}
 - (25)** Elemento de retención CompactTube
- a) Diferentes realizaciones constructivas posibles

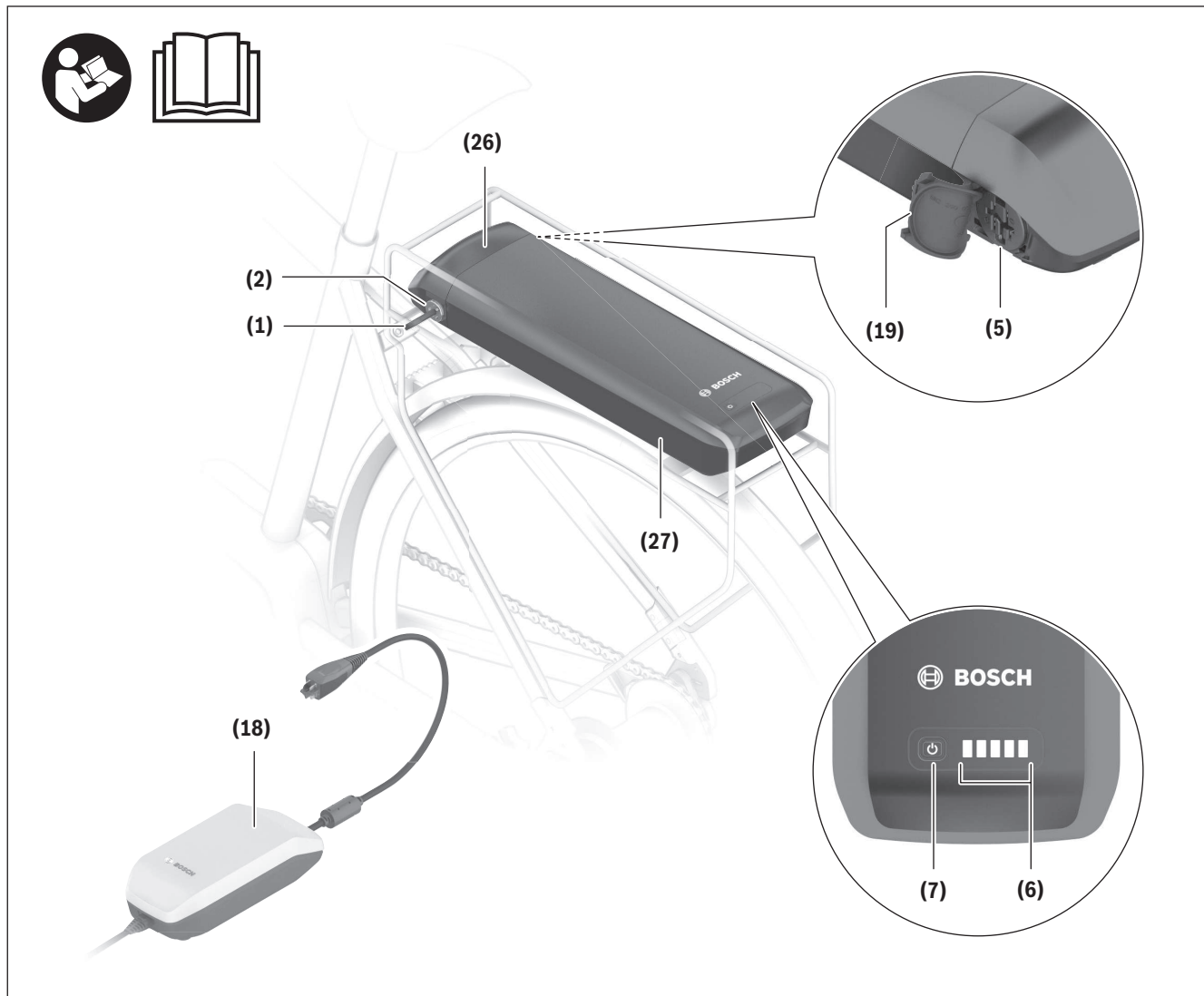
Características del producto PowerPack Frame



Todas las representaciones de los componentes de la bicicleta, a excepción de las baterías y sus soportes, se muestran de manera esquemática y pueden diferir de su eBike.

- (1) Llave de la cerradura del acumulador
- (2) Cerradura del acumulador
- (5) Conector hembra para el cargador
- (6) Indicador del estado de funcionamiento y de carga
- (7) Tecla de conexión/desconexión
- (14) Soporte superior del acumulador PowerPack
- (15) Acumulador PowerPack
- (16) Soporte inferior del acumulador PowerPack (base sin posibilidad de carga)
- (17) Soporte inferior del acumulador PowerPack (base con posibilidad de carga)
- (18) Cargador
- (19) Tapa de conector de carga

Características del producto PowerPack Rack



Todas las representaciones de los componentes de la bicicleta, a excepción de las baterías y sus soportes, se muestran de manera esquemática y pueden diferir de su eBike.

(1) Llave del bloqueo de la batería

(2) Bloqueo de la batería

(5) Toma para el cargador

(6) Indicador del estado de funcionamiento y de carga

(7) Tecla de conexión/desconexión

(18) Cargador

(19) Tapa de la toma de carga

(26) Soporte de la batería para portaequipajes

(27) Batería para portaequipajes

Utilización reglamentaria

Las baterías para eBikes de Bosch de la generación del sistema **the smart system (el smart system)** están diseñadas exclusivamente para la alimentación de corriente de su unidad de accionamiento de la generación del sistema **the smart system (el smart system)** y no deben utilizarse para ningún otro objetivo.

Datos técnicos

Batería de iones de litio		CompactTube 400	PowerTube 500	PowerTube 625	PowerTube 750
Código de producto	horizontal	BBP3245 BBP3247	BBP3755	BBP3765	BBP3775
Código de producto	vertical	BBP3246 BBP3247	BBP3756	BBP3766	BBP3776
Tensión nominal	V=	36	36	36	36
Capacidad nominal	Ah	11	13,4	16,7	20,1
Energía	Wh	400 ^{A)}	500 ^{A)}	625 ^{A)}	750 ^{A)}
Temperatura de servicio	°F	23 ... 104	23 ... 104	23 ... 104	23 ... 104
Temperatura de almacenamiento	°F	50 ... 104	50 ... 104	50 ... 104	50 ... 104
Margen de temperatura de carga admisible	°F	32 ... 104	32 ... 104	32 ... 104	32 ... 104
Peso, aprox.	lbs	4,4	6,6	7,9	9,6
Grado de protección		IP55	IP55	IP55	IP55

A) La capacidad energética de la batería anunciada es una aproximación. Debido a las tolerancias de fabricación, la capacidad medida no siempre coincide con la anunciada.

Español – 16

Batería de iones de litio		PowerPack Frame 400	PowerPack Frame 545	PowerPack Frame 725	PowerPack Frame 800
Código de producto		BBP3545	BBP3556	BBP3575	BBP3585
Tensión nominal	V=	36	36	36	36
Capacidad nominal	Ah	11,1	14,4	19,2	22,2
Energía	Wh	400 ^{A)}	545 ^{A)}	725 ^{A)}	800 ^{A)}
Temperatura de servicio	°F	23 ... 104	23 ... 104	23 ... 104	23 ... 104
Temperatura de almacenamiento	°F	50 ... 104	50 ... 104	50 ... 104	50 ... 104
Margen de temperatura de carga admisible	°F	32 ... 104	32 ... 104	32 ... 104	32 ... 104
Peso, aprox.	lbs	4,8	6,6	8,8	8,6
Grado de protección		IP55	IP55	IP55	IP55

A) La capacidad energética de la batería anunciada es una aproximación. Debido a las tolerancias de fabricación, la capacidad medida no siempre coincide con la anunciada.

Batería de iones de litio		PowerPack Rack 400	PowerPack Rack 500
Código de producto		BBP3345	BBP3355
Tensión nominal	V=	36	36
Capacidad nominal	Ah	10,8	13,6
Energía	Wh	400 ^{A)}	500 ^{A)}
Temperatura de servicio	°F	23 ... 104	23 ... 104
Temperatura de almacenamiento	°F	50 ... 104	50 ... 104
Margen de temperatura de carga admisible	°F	32 ... 104	32 ... 104
Peso, aprox.	lbs	5,9	6,1
Grado de protección		IP55	IP55

A) La capacidad energética de la batería anunciada es una aproximación. Debido a las tolerancias de fabricación, la capacidad medida no siempre coincide con la anunciada.

Montaje

- **Solamente coloque la batería de la eBike sobre superficies limpias.** Ponga especial cuidado de no ensuciar el conector hembra para carga ni los contactos, p. ej. con arena o tierra.



Verifique la batería de la eBike antes del primer uso

Verifique la batería de la eBike antes de cargarla por primera vez o de usarla con su eBike.

Presione para ello la tecla de conexión/desconexión (7) para conectar la batería de la eBike. Si no se enciende ningún LED del indicador de estado de carga (6), entonces es probable que la batería de la eBike esté dañada.

Si se enciende al menos uno, pero no todos los LED en el indicador de estado de carga (6), entonces cargue completamente la batería de la eBike antes de usarla por primera vez.

- **No cargue una batería de eBike dañada y no la use.** Diríjase a una tienda de bicicletas autorizada.

Carga de la batería de la eBike

- **Una batería de eBike de Bosch de la generación del sistema the smart system (el smart system) solo puede cargarse con un cargador original de Bosch de la generación del sistema the smart system (el smart system).**

Nota: La batería de la eBike se suministra parcialmente cargada. Con el fin de obtener la plena potencia de la batería de la eBike, antes de su primer uso, cárguelo completamente con el cargador.

Lea y atégase a las instrucciones de uso del cargador al cargar la batería de la eBike.

La batería de la eBike se puede cargar en cualquier estado de carga. Una interrupción del proceso de carga no afecta a la batería de la eBike.

La batería de la eBike está equipada con un sistema de control de temperatura, que permite cargar solo en el margen de temperatura entre **32 °F** y **104 °F**.

Si la batería de la eBike se encuentra fuera del margen de temperatura de carga, parpadean tres LED del indicador de estado de carga (6). Desconecte la batería de la eBike del cargador y permita que alcance la temperatura correcta.

⚠ PRECAUCIÓN

- **No conecte el paquete de baterías al cargador hasta que haya alcanzado la temperatura de carga permitida.**

Indicador del estado de carga fuera de la eBike

Los cinco LED del indicador de estado de carga (6) indican el estado de carga cuando la batería de la eBike está conectada.

Cada uno de los LED corresponde por lo tanto a una capacidad aprox. de 20 %. Si la batería de la eBike está completamente cargada, se encienden los cinco LED.

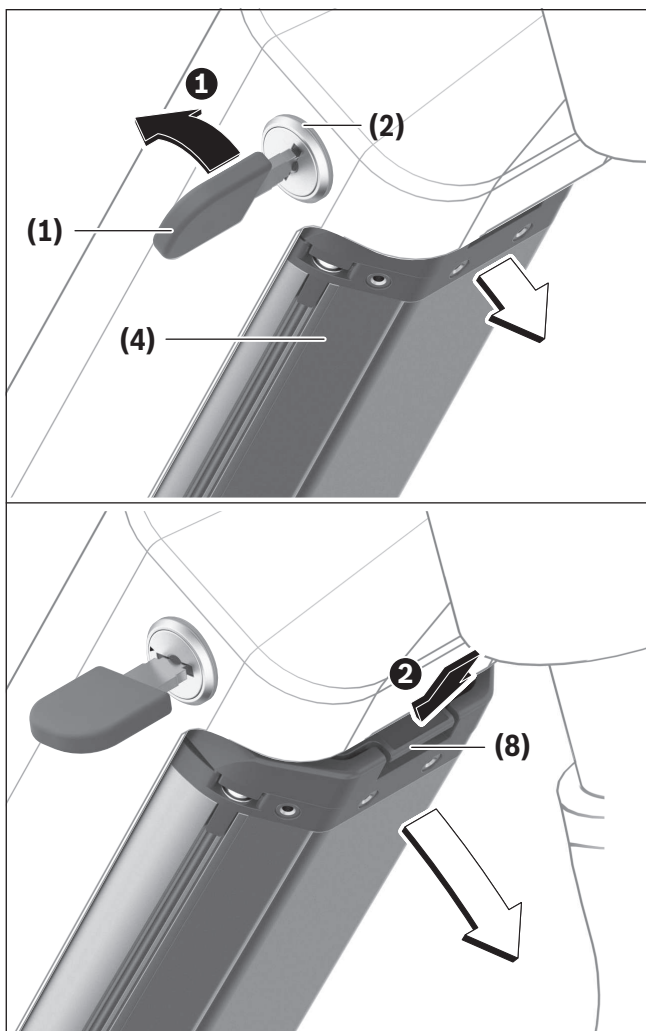
Adicionalmente se muestra el estado de carga de la batería de la eBike conectada en la pantalla del ordenador de a bordo. Para ello lea y atégase a las instrucciones de uso de la unidad de accionamiento y del ordenador de a bordo.

Si la capacidad de la batería de la eBike es inferior al 10 %, el último LED restante parpadea.

Tras la carga, desconecte la batería de la eBike del cargador y el cargador de la red.

Inserción y extracción de la batería de la eBike

- **Desconecte siempre primero la batería y el sistema eBike para insertar o extraer la batería de la eBike del soporte.**
- **Una vez introducida la batería de la eBike, compruebe en todas las direcciones que está firme y correctamente encajada.**

Extracción de la batería PowerTube (Pivot)

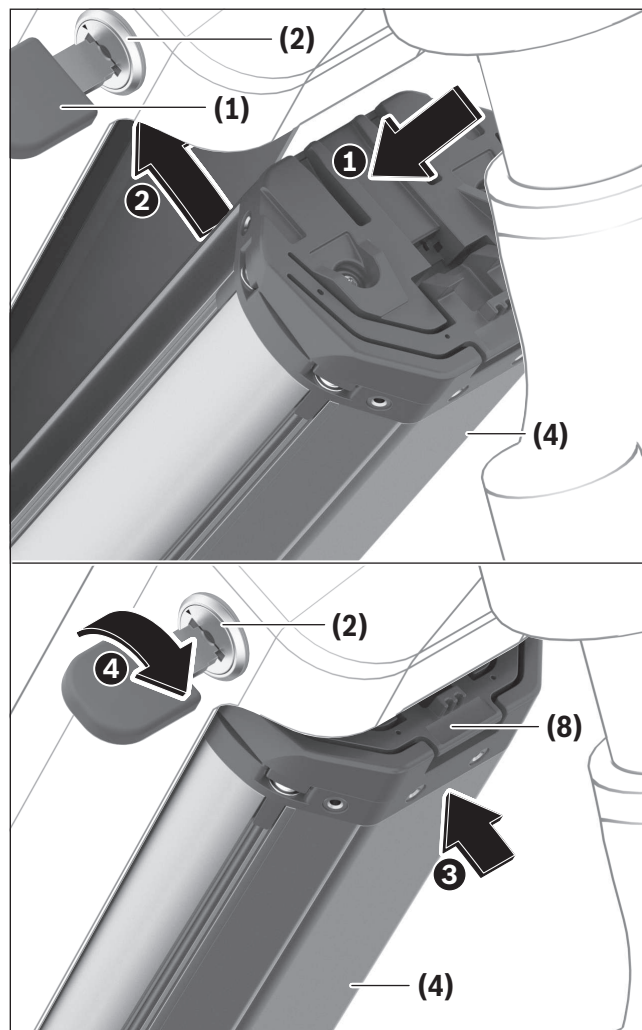
❶ Para retirar la batería PowerTube (4), abra la cerradura de la batería (2) con la llave (1). La batería se desbloquea y cae en el dispositivo de retención (8).

Nota: Asegúrese de sujetar la batería de la eBike con la mano al extraerla.

❷ Sujete la batería firmemente y presione el sistema de sujeción (8). La batería se desbloquea por completo y cae en la mano. A continuación, retire la batería del cuadro.

Nota: Debido a **diferentes** realizaciones constructivas, puede ser que la inserción y la extracción de la batería deba realizarse de otro modo. Lea al respecto

las instrucciones de servicio del fabricante de la eBike.

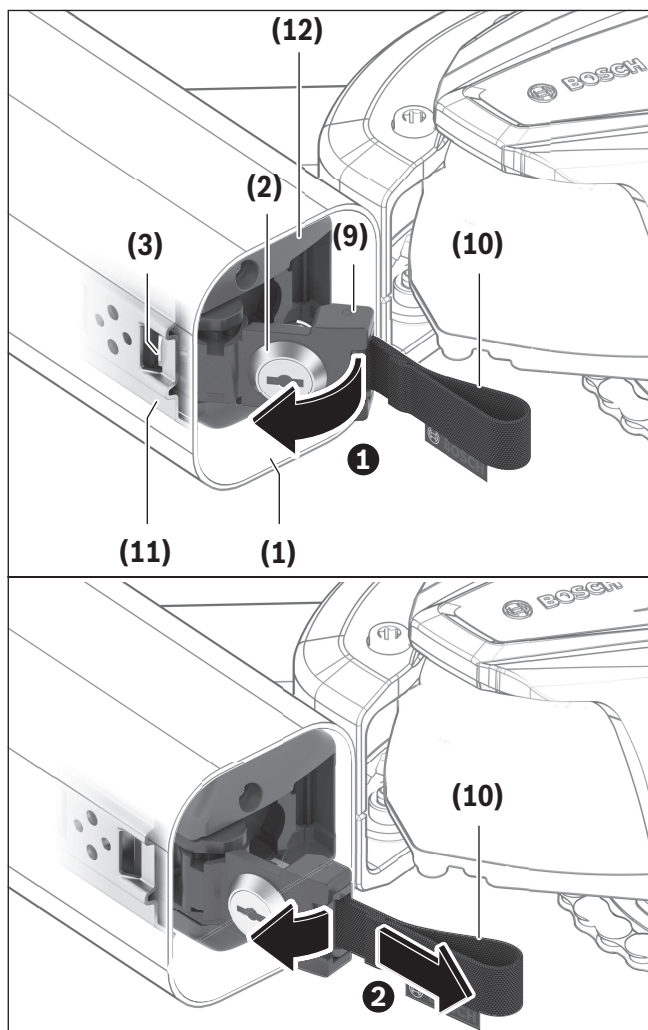
Inserción de la batería PowerTube (Pivot)

Para poder introducir la batería, se debe insertar la llave (1) en la cerradura de la batería (2), que debe estar cerrada.

- ❶ Para insertar la batería PowerTube (4), introdúzcala con los contactos en el soporte inferior del cuadro.
- ❷ Gire la batería hacia arriba hasta que quede sujeta en el sistema de retención (8).
- ❸ Mantenga la cerradura de la batería abierta con la llave e introduzca la batería hacia arriba hasta que encaje de forma audible.

④ Cierre siempre la batería con la cerradura (2) porque, de lo contrario, la cerradura de la batería podría abrirse y caer la batería del soporte. Después de cerrarla, retire siempre la llave (1) de la cerradura de la batería (2). De esta forma se evita que la llave se caiga o que la batería de la eBike la retiren terceros no autorizados cuando la eBike está parada.

Extracción de la batería PowerTube (Axial)

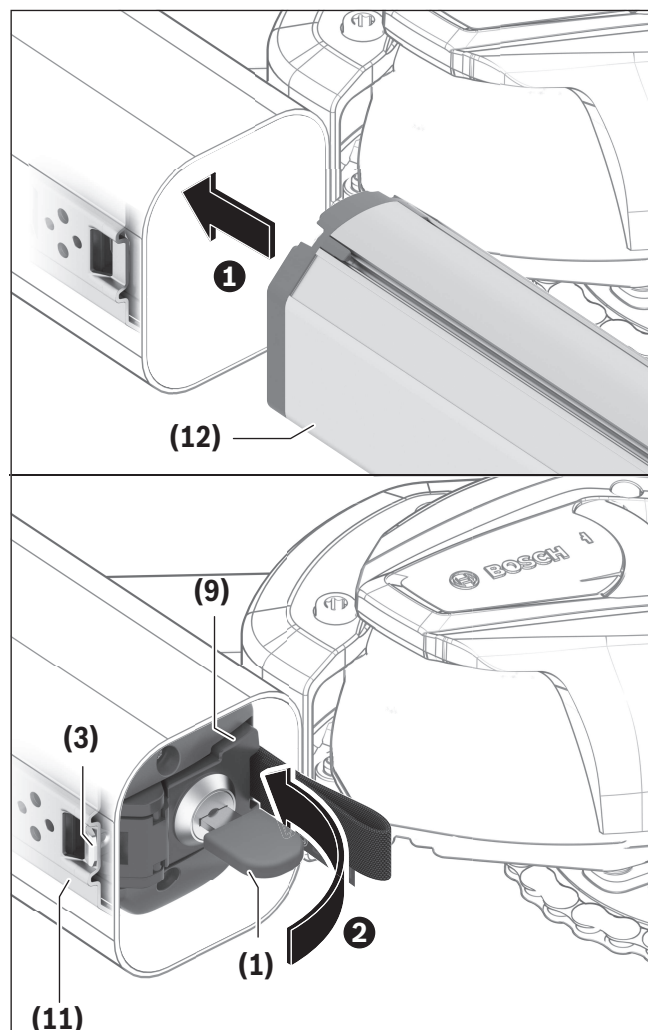


① Para extraer la batería PowerTube (12), abra la cerradura de la batería (2) con la llave (1), retire la llave (1) y gire el enclavamiento (9) hacia un lado.

② Utilizando el lazo de tracción (10), saque la batería (12) del bastidor y sujétela firmemente para que no se caiga del mismo.

Nota: Debido a diferentes realizaciones constructivas, puede ser que la inserción y la extracción de la batería deba realizarse de otro modo. Lea al respecto las instrucciones de servicio del fabricante de la eBike.

Inserción de la batería PowerTube (Axial)



Para poder introducir la batería, el enclavamiento (9) debe estar girado hacia un lado. La llave (1) no debe estar en la cerradura de la batería (2) en este momento.

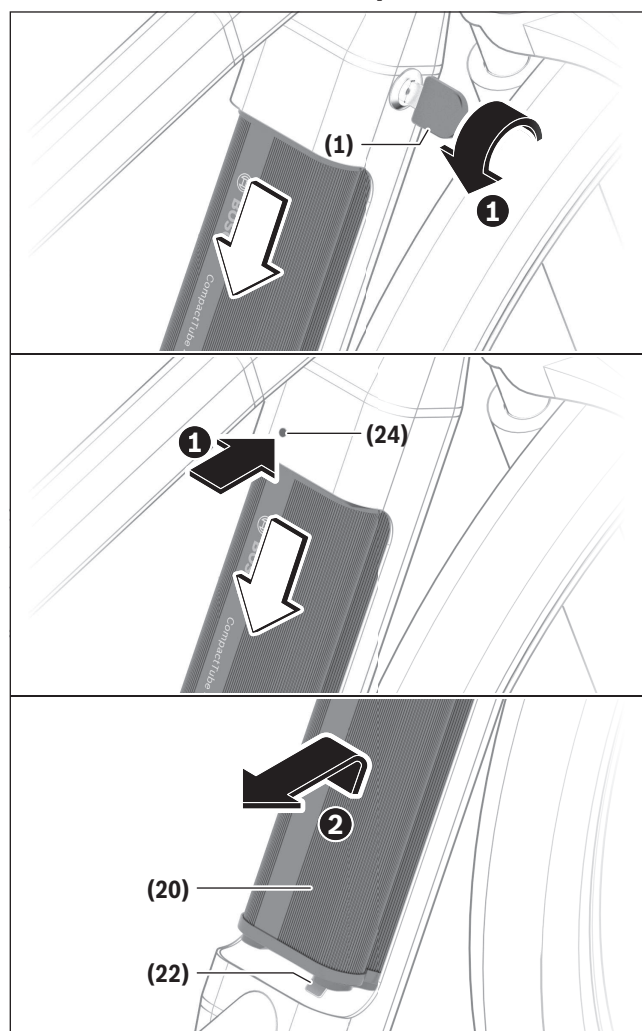
- ❶ Para insertar la batería PowerTube, introdúzcala en el bastidor con el conector hembra para el cargador (5) hacia arriba hasta que encaje. Asegúrese de que la batería quede orientada correctamente.
- ❷ Cierre el enclavamiento (9), introduzca la llave (1) en la cerradura de la batería (2) y cierre con llave la batería. Asegúrese de que el gancho de seguridad (3) esté enganchado en la abertura del carril guía (11) correctamente. De lo contrario, existe el riesgo de que la batería se caiga durante la conducción.

Después de cerrarla, retire siempre la llave (1) de la cerradura de la batería (2). De esta forma se evita que la llave se caiga o que la batería de la eBike la retiren terceros no autorizados cuando la eBike está parada.

Batería CompactTube (instalación fija)

Las baterías de la eBike instaladas permanentemente en el cuadro de la bicicleta solo pueden extraerse en caso de avería. En este caso, diríjase a un distribuidor de bicicletas autorizado.

Extracción de la batería CompactTube (Pivot)



- ❶ Para extraer la batería CompactTube (20), abra la cerradura de la batería (2) con la llave (1) o presione el elemento de desbloqueo (24) con una herramienta adecuada no puntiaguda (por ejemplo, con una llave Allen). La batería se desbloquea y cae en el dispositivo de retención (22).

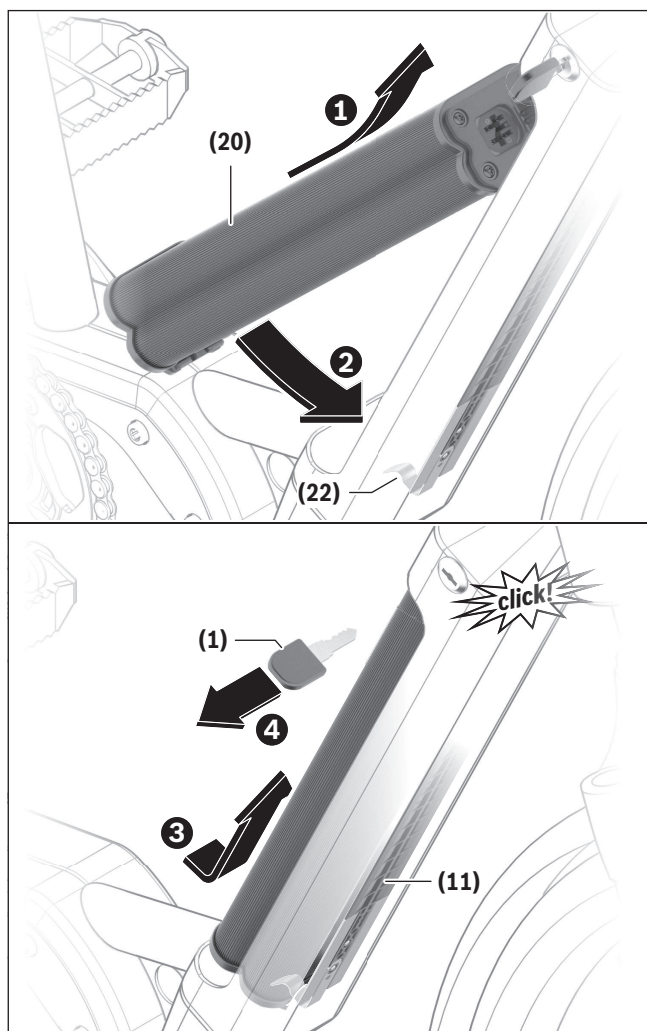
Nota: Asegúrese de sujetar la batería de la eBike con la mano al extraerla.

- ❷ Sujete la batería, deslícela ligeramente hacia la cerradura de la batería (2) y tire de ella para sacarla del sistema de retención (22).

Nota: El elemento de desbloqueo puede desbloquearse siguiendo una solución específica del fabricante, desviándose del gráfico. Lea al respecto las instrucciones de servicio del fabricante de la eBike.

Nota: Debido a **diferentes** realizaciones constructivas, puede ser que la inserción y la extracción de la batería deba realizarse de otro modo. Lea al respecto las instrucciones de servicio del fabricante de la eBike.

Inserción de la batería CompactTube (Pivot)

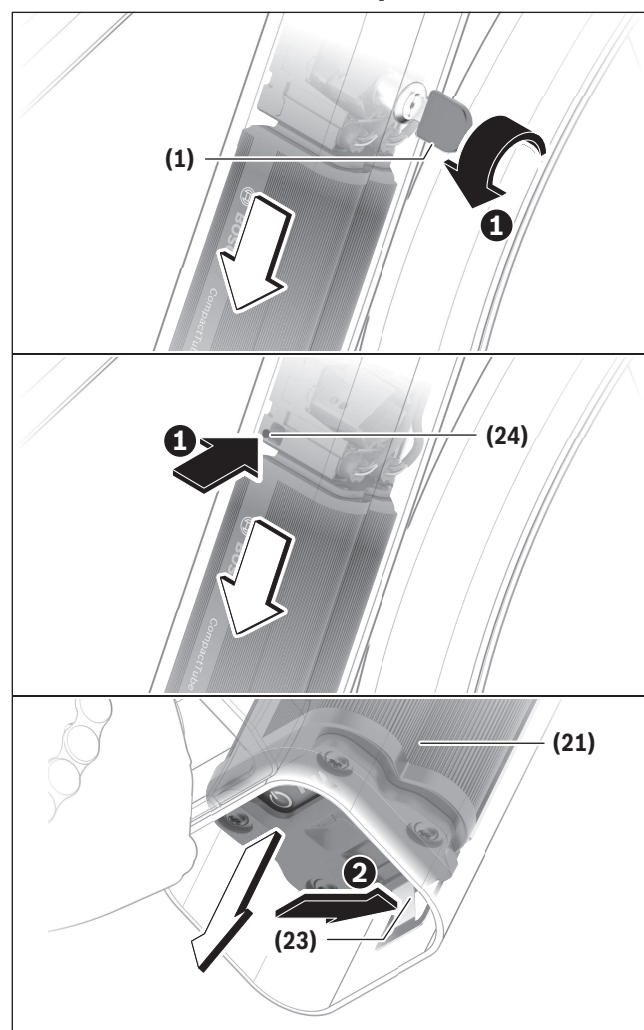


- 1 Para insertar la batería CompactTube (20), introdúzcala con los contactos en el soporte superior del cuadro.

- 2 Gire la batería en el cuadro de la bicicleta hasta que quede sujeta en el sistema de retención (22).
- 3 Presione la batería en el carril guía (11) y empújela hacia la cerradura de la batería (2) hasta que encaje de forma audible.
- 4 A continuación, retire la llave (1) de la cerradura de la batería (2).

Después de cerrarla, retire siempre la llave (1) de la cerradura de la batería (2). De esta forma se evita que la llave se caiga o que la batería de la eBike la retiren terceros no autorizados cuando la eBike está parada.

Extracción de la batería CompactTube (Axial)



- Para extraer la batería CompactTube (21), abra la cerradura de la batería (2) con la llave (1) o presione el elemento de desbloqueo (24) con una herramienta adecuada no puntiaguda (por ejemplo, con una llave Allen). La batería se desbloquea y cae en el dispositivo de retención (23).

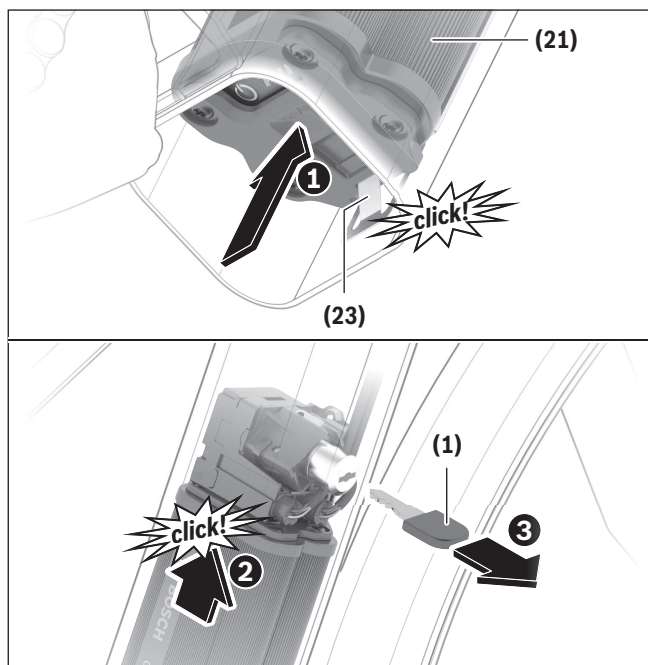
Nota: Asegúrese de sujetar la batería de la eBike con la mano al extraerla.

- Presione el sistema de retención (23). Sujete firmemente la batería si esta sobresale del cuadro de la bicicleta. A continuación, retire la batería.

Nota: El elemento de desbloqueo puede desbloquearse siguiendo una solución específica del fabricante, desviándose del gráfico. Lea al respecto las instrucciones de servicio del fabricante de la eBike.

Nota: Debido a diferentes realizaciones constructivas, puede ser que la inserción y la extracción de la batería deba realizarse de otro modo. Lea al respecto las instrucciones de servicio del fabricante de la eBike.

Inserción de la batería CompactTube (Axial)



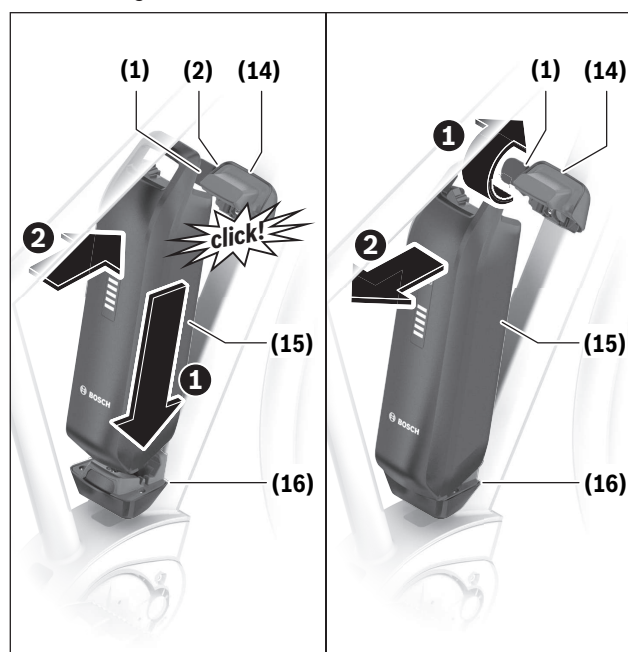
- Para insertar la batería CompactTube (21), introdúzcala en el bastidor con el conector hembra

para el cargador (5) hacia arriba hasta que encaje en el sistema de retención (23) de forma audible. Asegúrese de que la batería quede orientada correctamente.

- Desplace la batería hacia la cerradura de la batería (2) hasta que encaje ahí (2) de forma audible.
- A continuación, retire la llave (1) de la cerradura de la batería (2).

Después de cerrarla, retire siempre la llave (1) de la cerradura de la batería (2). De esta forma se evita que la llave se caiga o que la batería de la eBike la retienen terceros no autorizados cuando la eBike está parada.

Inserción y extracción de la batería PowerPack

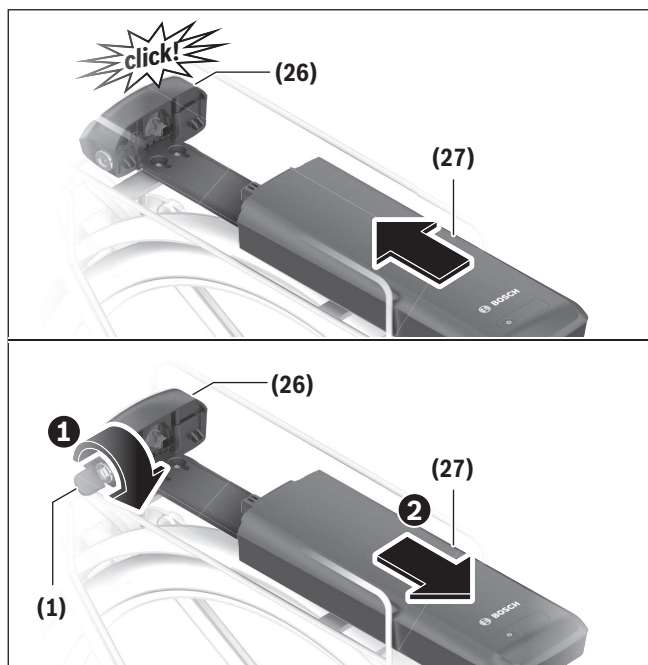


La llave (1) no debe estar en la cerradura de la batería (2) para poder colocar la batería.

- Para **insertar** la batería PowerPack (15), colóquela con los contactos en el soporte inferior (16) de la eBike.
- Gírela hasta el tope en el soporte superior (14) hasta que encaje de forma audible.

- ❶ Para **extraer** la batería PowerPack **(15)**, desconéctela y cierre la cerradura de la batería **(2)** con la llave **(1)**.
- ❷ Gire la batería fuera del soporte superior **(14)** y retírela del soporte inferior **(16)**.

Insertar y extraer una batería de portaequipajes



La cerradura de la batería **(2)** debe estar bloqueada para poder introducir la batería. La llave **(1)** no debe estar insertada en la cerradura de la batería **(2)**.

Para **insertar** la batería **(27)**, deslícela con los contactos por delante en el soporte **(26)** hasta que encaje de forma audible.

Para **extraer** la batería **(27)**, desconéctela y abra la cerradura de la batería con la llave **(1)** ❶.

Retire la batería del soporte **(26)** ❷.

Operación

Puesta en marcha

► **Utilice únicamente baterías de eBikes originales de Bosch de la generación del sistema the smart system (el smart system) autorizadas por el fabricante para su eBike.** El uso de otro tipo de baterías de eBikes puede acarrear lesiones e incluso un incendio. Si se usan baterías de eBikes de otro tipo, Bosch declina cualquier responsabilidad y el derecho a garantía.

Conexión/desconexión

Una de las opciones para conectar el sistema eBike es conectando la batería. Para ello lea y atégase a las instrucciones de uso de la unidad de accionamiento y del ordenador de a bordo.

Antes de encender la batería de la eBike, el sistema eBike o la eBike, compruebe si la cerradura **(2)** está cerrada.

Para **encender** la batería de la eBike, pulse la tecla de conexión/desconexión **(7)**. No utilice ningún objeto afilado o puntiagudo para pulsar la tecla. Los ledes del indicador **(6)** se iluminan y muestran al mismo tiempo el estado de carga.

► **Compruebe siempre que el paquete de baterías esté bloqueado en su lugar.** Para ello, tire de la batería (después de haber retirado la llave).

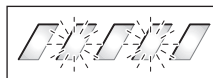
Nota: Si la capacidad de la batería de la eBike es inferior al 5 %, en la batería no se enciende ningún LED del indicador de estado de carga **(6)**. Solamente se puede ver si la eBike está conectada en el ordenador de a bordo/en el cuadro de mandos.

Para **apagar** la batería de la eBike, pulse de nuevo la tecla de conexión/desconexión **(7)**. Los ledes del in-

dicador **(6)** se apagan. La eBike también se desconecta.

Si durante unos **10** minutos no se solicita potencia al accionamiento (p. ej. porque la eBike está parada) y no se pulsa ninguna tecla del ordenador de a bordo o del cuadro de mandos de la eBike, la eBike se desconecta automáticamente.

La batería de la eBike está protegida contra descarga total, sobrecarga, sobrecalentamiento y cortocircuito gracias al sistema «Battery Management System (BMS)». En esos casos, un circuito de protección se encarga de desconectar automáticamente la batería de la eBike.



Si se detecta un defecto de la batería de la eBike, dos LED del indicador de estado de carga **(6)** parpadearán. En este caso, diríjase a un distribuidor de bicicletas autorizado.

Comportamiento en caso de avería

La batería de la eBike de Bosch no se debe abrir, ni siquiera para fines de reparación. Existe el riesgo de que la batería de la eBike se inflame, p. ej., debido a un cortocircuito. Este peligro existe al seguir utilizando una batería de eBikes **una vez** abierto, también en una fecha posterior.

Por esta razón, no repare la batería de la eBike en caso de avería, sino que deje que el distribuidor de bicicletas lo reemplace por una batería original de eBike de Bosch de la generación del sistema **the smart system (el smart system)**.

Transporte

► **Si lleva la eBike en el exterior de su automóvil, por ejemplo en un portaequipajes externo al vehículo, retire el ordenador de a bordo y la batería de la eBike (excepción: batería para eBike**

instalada de forma permanente), para evitar daños.

Las baterías de la eBike están sometidas a los requisitos de la legislación sobre el transporte de mercancías peligrosas.

Para el transporte por parte de usuarios profesionales o a través de terceros (p. ej. transporte aéreo o empresa de transporte), es imprescindible tener en cuenta los requerimientos especiales en cuanto al embalaje y la identificación (p. ej. disposiciones del ADR). En caso necesario puede consultarse a un experto en mercancías peligrosas sobre la preparación del paquete de envío.

Únicamente envíe baterías de eBikes si su carcasa no está dañada y la batería es apta para el funcionamiento. Utilice el embalaje original de Bosch para el transporte de la batería de la eBike correspondiente. Pegue los contactos abiertos y empaquete la batería de la eBike de manera que no se mueva dentro del embalaje. Indique al servicio de paquetería que se trata de mercancía peligrosa. Observe también la normativa nacional aplicable.

- **Utilice en todo caso un portabicicletas homologado y compatible cuando transporte su eBike. El sistema de accionamiento de Bosch incre-**

menta el peso de la bicicleta. Consulte el manual de su portabicicletas para asegurarse de que la eBike es compatible. Sobrecargar un portabicicletas puede causar la muerte o lesiones graves.

- **Utilice técnicas de elevación adecuadas, ya que las bicicletas eléctricas suelen ser más pesadas que las normales.**

Transporte únicamente baterías cuya carcasa esté intacta. Pegue los contactos abiertos y empaquete la batería de manera que no se mueva dentro del embalaje. Indique al servicio de paquetería que se trata de mercancía peligrosa. Observe también la normativa nacional aplicable. Compruebe siempre las normativas estatales y regionales antes de transportar sus baterías.

En todas las consultas referentes al transporte de las baterías de la eBike, diríjase a un distribuidor de bicicletas autorizado. En dichas tiendas puede adquirir también un embalaje de transporte apropiado.

Mantenimiento/Limpieza

- **Desconecte siempre la batería cuando la introduzca o extraiga del soporte.** Nunca intente introducir ni extraer la batería con la bicicleta en marcha.
- **No sumerja los componentes eBike en el agua ni los limpie con una manguera a presión.** El accionamiento de Bosch está diseñado para ser impermeable al agua de lluvia o a una limpieza con manguera sin presión.
- **Apunte el fabricante y el número de la llave.** Si pierde las llaves, diríjase a un distribuidor de eBike de Bosch autorizado. Facilite el nombre del fabricante y el número de la llave.
- **No pinte los componentes del sistema de accionamiento de Bosch, ya que eso podría causar un fallo temprano de los mismos.**

Limpieza

- **No sumerja los componentes eBike en el agua ni los limpie con una manguera a presión.** El accio-

namiento de Bosch está diseñado para ser impermeable al agua de lluvia o a una limpieza con manguera sin presión.

Mantenga limpios los componentes de su eBike, especialmente los contactos del acumulador y del respectivo soporte. Todos los componentes inclusive la unidad motriz no deberán sumergirse en agua ni tratarse con una limpiadora de alta presión. Límpielos con un paño suave y húmedo (utilice únicamente jabón neutro y agua).

Mantenga la batería de la eBike limpia y evite el contacto con productos para el cuidado de la piel, crema solar y repelentes de insectos. Límpielo con cuidado con un trapo húmedo y suave.

Limpie los polos del conector de vez en cuando y engráselos ligeramente. Para ello, utilice vaselina médica o técnica.

Servicio técnico y atención al cliente

En caso de cualquier consulta sobre la eBike y sus componentes, diríjase a un distribuidor de bicicletas autorizado.

Los detalles de contacto de los distribuidores de bicicletas autorizados se pueden encontrar en el sitio web www.bosch-ebike.com.

Si la batería de su eBike ya no funciona, acuda a un distribuidor de bicicletas autorizado.

Almacenamiento

La vida útil del acumulador de la eBike puede prolongarse si éste se trata apropiadamente y ante todo si se almacena respetando el margen de temperatura prescrito.

Aún así, a medida que va envejeciendo el acumulador de la eBike, su capacidad irá mermando.

Un período de funcionamiento significativamente reducido después de la carga indica que el paquete de baterías de la eBike está desgastado y debe ser reemplazado. Puede reemplazarse comprando un Power-Pack de Bosch original en un distribuidor autorizado de eBike de Bosch.

Recarga de la batería de la eBike antes y durante su almacenaje

En el caso de no utilizar la batería de la eBike durante un largo tiempo (> 3 meses), almacénela con un estado de carga de aprox. el 30 % hasta el 60 % (2 a 3 LED del indicador de estado de carga **(6)** iluminados).

Controle el nivel de carga pasados 6 meses. Si solo está encendido aún un LED del indicador de estado de carga **(6)**, entonces recargue la batería de la eBike de nuevo aprox. al 30 % hasta 60 %.

Nota: Si la batería de la eBike se almacena en un estado descargado durante mucho tiempo, puede dañarse a pesar de la baja autodescarga, y la capacidad de almacenamiento puede reducirse considerablemente.

No se recomienda dejar permanentemente conectada la batería de la eBike al cargador.

Condiciones para el almacenaje

Se aconseja guardar la batería de la eBike en un lugar seco y bien ventilado. Protéjalo de la humedad y del agua. En condiciones climáticas adversas, se recomienda p. ej. retirar la batería de la eBike y almacenarla en habitaciones cerradas hasta el siguiente uso.

No guarde la batería de la eBike en los siguientes lugares:




- En habitaciones sin detector de humo
- Cerca de objetos inflamables o fácilmente inflamables
- Cerca de fuentes de calor
- En vehículos cerrados (especialmente en verano)
- Bajo radiación solar directa

Para una vida útil óptima de la batería de la eBike, guarde la batería de la eBike a temperatura ambiente. Las temperaturas inferiores a **14 °F** o superiores a **140 °F** deben evitarse siempre.

Preste atención a no rebasar la temperatura de almacenaje máxima.

Se recomienda no dejar la batería en la eBike al guardarla.

Resolución de problemas

Causa	Remedio
 <p>Batería de la eBike defectuosa</p>	<p>Parpadean dos LED en la batería de la eBike.</p> <p>Contactar con un distribuidor de bicicletas autorizado.</p>
 <p>Batería de la eBike demasiado caliente o fría</p>	<p>Parpadean tres LED en la batería de la eBike.</p> <p>Desconectar la batería de la eBike del cargador hasta que se alcance el rango de temperatura de carga.</p> <p>No conecte de nuevo la batería de la eBike al cargador hasta que haya alcanzado la temperatura de carga correcta.</p>
 <p>El cargador no carga.</p>	<p>No parpadea ningún LED (en función del estado de carga de la batería de la eBike se iluminan permanentemente uno o varios LED).</p> <p>Contactar con un distribuidor de bicicletas autorizado.</p>
No es posible cargar (ninguna indicación en la batería de la eBike)	
Enchufe introducido incorrectamente	Verificar todas las conexiones por enchufe.
Contactos de la batería de la eBike sucios	Limpiar con cuidado los contactos de la batería de la eBike.
Toma de corriente, cable o cargador defectuoso	Comprobar la tensión de la red; dejar revisar el cargador por parte del distribuidor de bicicletas.
Batería de la eBike defectuosa	Contactar con un distribuidor de bicicletas autorizado.

Programa de reciclaje de baterías



La unidad de accionamiento, el ordenador de a bordo incl. la unidad de mando, el acumulador para eBike, el sensor de velocidad, los accesorios y los embalajes deben reciclarse de forma respetuosa con el medio ambiente.

¡No arroje eBikes y sus componentes a la basura!

Antes de eliminar las baterías, proteja los contactos de los polos de las mismas con cinta adhesiva.

No manipule los acumuladores de eBike dañados con manos desprotegidas, ya que puede derramarse electrolito y causar irritaciones cutáneas. Guarde el acumulador defectuoso en un lugar seguro al aire libre. Si es necesario, aisle los polos e informe a su distribuidor. Él le ayudará con la eliminación adecuada.



Puede reciclar su paquete de baterías de Bosch llamando al 1.800.822.8837.

Cette notice contient d'importantes informations sur la sécurité, les performances et l'entretien. Lisez-les et comprenez-les ainsi que les informations fournies par le fabricant de votre vélo avant d'utiliser le produit, et conservez-les pour référence ultérieure.

Owner's Manual Drive Unit

BDU3740 | BDU3741 | BDU3742 | BDU3743 | BDU3760 | BDU3761 | BDU3780 | BDU3781

Robert Bosch GmbH
72757 Reutlingen
Germany

www.bosch-ebike.com

0 275 U07 3D1 (2023.03) T / 32



Este manual contiene información importante de seguridad, rendimiento y mantenimiento. Léalo y asegúrese de entenderlo junto con la información que le ha facilitado el fabricante de su bicicleta antes de usar el producto; guárdelo a modo de referencia.

en Original operating instructions
fr Notice d'utilisation d'origine
es Instrucciones de servicio originales

This manual contains important safety, performance and service information. Read and understand it along with the information provided to you by your bicycle manufacturer before using the product, and keep it for reference.



Table of Contents

Introduction	2
About Warnings	2
General Warnings	2
Using your Manual	3
Operating your Bosch Drive Unit	4
Safety instructions	4
Product description and specifications	6
Assembly	7
Operation	8
Maintenance/Cleaning	9
Cleaning	9
Taking care of your eBike	10
After-sales service and advice on using products	10
Disposal	10

Introduction

About Warnings

This manual contains many **DANGER**, **WARNING**, and **CAUTION** indicators concerning the consequences of failure to use, assemble, maintain, store, inspect and dispose of a Bosch-equipped eBike in a safe manner.

- The combination of the safety alert symbol and the word **DANGER** indicates a hazardous situation that, if not avoided, will result in death or serious injury.
- The combination of the safety alert symbol and the word **WARNING** indicates a hazardous situation that, if not avoided, could result in death or serious injury.
- The combination of the safety alert symbol and the word **CAUTION** indicates a hazardous situation that, if not avoided, could result in minor or moderate injury.

General Warnings



Read all safety warnings and all instructions. Failure to follow the warnings and instructions may result in death or serious injury.

Save all safety warnings and instructions for future reference.

The term **eBike battery** used in these operating instructions refers to all original Bosch eBike batteries from the system generation **the smart system**.

- ▶ **Read ALL accompanying manuals before riding the bike for the first time.** Your Bosch Drive System comes with additional manuals and documents provided by the manufacturer of the bicycle and other components. Failure to read and understand safety information can result in death or serious injury.

⚠ WARNING

- ▶ **This manual contains important safety, performance and service information.** Read it before you take the first ride on your new bicycle, and keep it for reference. The manual can also be found online at www.bosch-ebike.com.
- ▶ **This manual is intended to be read together with the separate user manual provided with your bicycle.** Be sure to read all provided documents including labels on the product before your first ride.

- ▶ **Take responsibility for your own SAFETY.** If you have any questions or do not understand something, consult with your dealer or the bicycle or component manufacturer.
- ▶ **Some eBike accessories may present a choking hazard to small children.** Keep these accessories away from children.

⚠ CAUTION

- ▶ **The Bosch Drive System adds weight to your bicycle which you may not be used to lift.** Avoid injury, use proper lifting techniques.

Using your Manual

In addition to the functions outlined here, changes to software relating to troubleshooting and functional modifications may be introduced at any time.

Graphics

The bicycle shown in this manual may differ slightly from your bicycle, but will be similar enough to help you understand our instructions.

RIGHT-HAND and LEFT-HAND sides are determined by facing in the direction the bicycle will travel when going forward. When you see a broken line (-----), the item referred to is hidden from view.

Operating your Bosch Drive Unit

Safety instructions



Read and understand all safety warnings and instructions. Failure to follow the below warnings could result in death or serious injury.

Save all safety warnings and instructions for future reference.

The term **eBike battery** used in these operating instructions refers to all original Bosch eBike batteries from the system generation **the smart system**.

The terms **drive** and **drive unit** used in these operating instructions refer to all original Bosch drive units from the system generation **the smart system**.

- ▶ **Read and observe the safety warnings and instructions in all operating instructions of the eBike system and your eBike.**
- ▶ **Do not make any kind of modifications to the drive. Do not use any products to increase the performance of the drive.** This will result in you using an illegal mode of transport in public areas. Moreover, in doing so, you may endanger yourself and others; accidents that can be attributed to manipulation run the risk of high personal liability costs and possibly even criminal prosecution. In addition, doing so will generally reduce the service life of the eBike components. The drive unit and eBike may be damaged and guarantee and warranty claims on the eBike you have purchased may consequently be voided.
- ▶ **Do not open the drive unit. The drive unit must be repaired using only original spare parts and only by an authorized bicycle retailer.** This will ensure that the eBike remains safe to use. Unauthorized opening of the drive unit will render warranty claims null and void.
- ▶ **Remove the eBike battery from the eBike before beginning work (e.g. inspection, repair, assembly, maintenance, work on the chain, etc.) on**

the eBike. When working on permanently installed eBike batteries, take particular care to ensure that the eBike cannot be switched on.

Unintentional activation of the eBike poses a risk of injury.

- ▶ **Do not remove permanently installed eBike batteries yourself. Permanently installed eBike batteries must only be installed and removed by authorized bicycle retailers.**



Under extreme conditions, such as continuously high loads at low speed when riding up hills or carrying loads, parts of the drive unit can reach temperatures in excess of 140 °F.

- ▶ **After a ride, do not allow your unprotected hands or legs to come into contact with the housing of the drive unit.** Under extreme conditions, such as continuously high torques at low travel speeds, or when riding up hills or carrying loads, very high temperatures may be reached on the housing.

The temperatures that may be reached on the drive unit housing are influenced by the following factors:

 - Ambient temperature
 - Ride profile (route/gradient)
 - Ride duration
 - Assistance modes
 - User behavior (personal effort)
 - Total weight (rider, eBike, luggage)
 - Motor cover on the drive unit
 - Heat dissipation properties of the bicycle frame
 - Type of drive unit and type of gear-shifting
- ▶ **Use only original Bosch eBike batteries from the system generation the smart system that the manufacturer has approved for your eBike.** Using other eBike batteries can lead to injuries and pose a fire hazard. Bosch accepts no liability or warranty claims if other eBike batteries are used.

Safety instructions for the rim magnet

The following safety instructions must be observed when handling the rim magnet:

- ▶ **Warning of very strong magnetic fields: The rim magnet generates a very strong magnetic field that may influence the magnetic storage media (e.g. credit card) and electronic devices (e.g. clock). There is a risk of data loss and damage to devices.** Do not move any media or devices sensitive to magnetic fields into the immediate vicinity of the rim magnet.
- ▶ **Warning of hand injuries caused by parts attracted to the magnet: There is a risk of injury if your fingers or hands get caught between the magnet and the objects attracted to it. This may cause skin injuries (e.g. if metal chips are attracted), crushing injuries, contusions or fractures.** You can avoid these by being vigilant and wearing suitable protective clothing.
- ▶ **Danger to persons with implants and other medical devices, e.g. pacemakers, defibrillators or insulin pumps: Keep these away from the immediate vicinity of the rim magnet.**
 - The magnet creates a field which can impair the function of implants and medical devices.
 - To avoid impairments, the rim magnet should not be held directly in front of the chest.
 - A minimum distance of 30 cm to the chest should be maintained.
- ▶ **Observe all national regulations which set out the approved use of eBikes.**
- ▶ **Please observe all local, state and federal regulations when registering and using eBikes.**

Privacy notice

When connecting the eBike to the **Bosch Diagnostic Tool 3** or when exchanging eBike components, technical information about your eBike (e.g. manufacturer, model, bike ID, configuration data) as well as regarding the use of the eBike (e.g. total travel time, energy consumption, temperature) is transmitted to Bosch eBike Systems (Robert Bosch GmbH) for processing your request, in service cases and for the purposes of product improvement. More information on data processing can be found at www.bosch-ebike.com/privacy-full.

Product description and specifications

Intended use

The Bosch drive unit from the system generation **the smart system** is intended exclusively for driving your eBike and must not be used for any other purpose. In addition to the functions outlined here, changes to software relating to troubleshooting and functional modifications may be introduced at any time.

Technical data

Drive unit	Drive Unit Performance Line CX/Cargo/ CX Race Edition/Speed	
Product code		BDU3740 BDU3741 BDU3742 ^{A)} BDU3743 ^{A)} BDU3760 BDU3761 BDU3780 BDU3781
Continuous rated power	W	250
Torque at drive, max.	Nm	85
Rated voltage	V=	36
Operating temperature	°F	23 to 104
Storage temperature	°F	50 to 104
Protection rating		IP54
Weight, approx.	lbs	6.6

A) Not compatible with the rim magnet
Bosch eBike Systems uses FreeRTOS (see www.freertos.org).

Bicycle lights^{A)}

Voltage approx.	V=	12
Maximum power		
– Front light	W	17.4
– Rear light	W	0.6

A) Depends on legal regulations, not possible in all country-specific models via the eBike battery

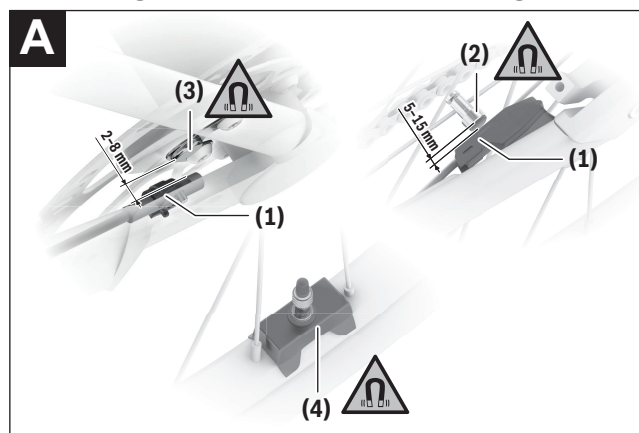
Inserting a bulb incorrectly can cause it to blow.

Details on noise emissions on the drive unit

The A-rated emission sound pressure level for the drive unit is < 70 dB(A) in standard operating mode. If the eBike is moved without authorization, the drive unit generates an alarm tone as a key feature of the **<eBike Alarm>** service. This alarm tone may exceed the emission sound pressure level of 70 dB(A) and is 80 dB(A) two meters away from the drive unit. The alarm tone is only available after activating the **<eBike Alarm>** service and can be deactivated again via the **eBike Flow** app.

Assembly

Checking the speed sensor (see figure A)



- (1) Speed sensor ^{a)}
- (2) Spoke magnet
- (3) CenterLock magnet ^{b)}
- (4) Rim magnet

a) Different sensor shape and installation position possible

b) a different installation position is possible

Speed Sensor (slim)

The speed sensor **(1)** and its CenterLock magnet **(3)** or spoke magnet **(2)** are mounted ex works in such a manner that the magnet, after a turn of the wheel, moves past the speed sensor with a clearance of at least 2 mm, yet no more than 15 mm.

The correct distance between the magnet and sensor must be maintained (see figure **A**) if design changes are made.

Notes: Ensure that you do not damage the sensor or sensor bracket when fitting or removing the rear wheel.

When changing a wheel, make sure that the sensor cable is routed so that it is not under tension and has no kinks.

The CenterLock magnet **(3)** can only be removed and reinserted up to five times.

Rim magnet

When installing a rim magnet, no sensor is required to detect a wheel turn. The drive unit itself detects when the magnet is close to it and calculates the speed and any other data required from the frequency of the emergence of the magnet field.

Since the drive unit is sensitive to magnetic fields, avoid other magnetic fields in the vicinity of the drive unit (e.g. magnetic clipless pedals, magnetic cadence sensors, etc.) in order to prevent disruption to the drive unit.

Operation

An operating unit from the system generation **the smart system** is required for starting operation of the eBike. Observe the operating instructions for the operating unit and additional components from the system generation **the smart system** where necessary.

Notes on cycling with your eBike

Note: The eBike system **always** starts in **OFF** mode for drive units with a maximum speed of more than **20 mph**.

When does the drive take effect?

The drive assists your cycling only when you are pedaling. If you do not pedal, the assistance will not work. The drive power always depends on the pedaling force you apply.

If you apply less force, you will receive less assistance than if you apply a lot of force. This applies irrespective of the assistance level.

The drive automatically switches off at speeds over **20/28 mph**. When the speed falls below **20/28 mph**, the drive automatically becomes available again.

An exception applies to the push assistance function, in which the eBike can be pushed at low speed without pedaling. The pedals may rotate when the push assistance is in use.

You can also use the eBike as a normal bicycle without assistance at any time, either by switching off the eBike or by setting the assistance level to **OFF**. The same applies when the eBike battery is drained.

Interaction of the drive unit with the gear-shifting

You should shift through gears on an eBike in the same manner as when using a normal bicycle (observe the operating instructions of your eBike with regard to this point).

Irrespective of the type of gear shifting, it is advisable that you briefly reduce the pressure on the pedals when changing gear. This will aid gear shifting and reduce wear on the powertrain.

By selecting the correct gear, you can increase your speed and range while applying the same amount of force.

Gaining initial experience

We recommend that you gain initial experience with the eBike away from busy roads.

Test the various assistance levels, beginning with the lowest level. As soon as you feel confident, you can ride your eBike in traffic like any other bicycle.

Test the range of your eBike in different conditions before planning longer and more demanding trips.

Influences on range

The range is affected by a number of factors, such as:

- Assistance level
- Speed
- Gear shifting behavior
- Tire type and tire pressure
- Age and condition of the eBike battery
- Route profile (gradients) and conditions (road surface)
- Headwind and ambient temperature
- Weight of eBike, rider and luggage

For this reason, it is not possible to predict the range accurately before and during a trip. However, as a general rule:

- With the **same** assistance level on the drive: The less energy you need to exert in order to reach a certain speed (e.g. by changing gears optimally), the less energy the drive will consume and the higher the range per battery charge will be.
- The **higher** the selected assistance level under otherwise constant conditions, the smaller the range will be.

Maintenance/Cleaning

⚠ WARNING

- ▶ **Do not open any of the components. Service should only be carried out at an authorized Bosch eBike dealer.** Failure to follow above warning can cause death or serious injury. Refer to your bicycle manual or component manual for all non-Bosch drive system components.
- ▶ **Always remove the battery pack before performing any bicycle inspection, maintenance or repair.** Failure to remove the battery pack before performing bicycle inspection, maintenance or repair can lead to serious injury.
- ▶ **If you suspect that something is loose, do not ride your bike.** See your Bosch eBike dealer, only a qualified service provider should perform work on your Bosch Drive System. All nuts, bolts, screws require the correct tightening force. Too little force and the fastener may not hold securely. Too much force and the fastener can strip threads, stretch, deform or break. Either way, incorrect tightening force can result in component failure, which can cause you to lose control and fall.
- ▶ **If replacing your battery, buy only a genuine Bosch battery pack from an approved source. See your Bosch eBike dealer for original Bosch parts.**
- ▶ **Always switch the battery pack off, when inserting or removing it from the holder.** Never attempt to insert or remove the battery pack while riding the bike.
- ▶ **Do not charge or use your eBike in any area with a potentially explosive atmosphere, such as at a fueling area, or in areas where the air contains chemicals or particles (such as grain, dust, or metal powders).** Obey all signs and instructions.
- ▶ **Do not submerge your eBike components in water, or wash with pressurized hose.** Your Bosch drive unit is designed to be water tight to rain water or non-pressure hose washing.
- ▶ **Note down the manufacturer and the number of the key.** In case of loss of the keys, please refer to an authorised Bosch eBike dealer. Please provide the name of the manufacturer and the number of the key.
- ▶ **Do not paint any components of the Bosch drive system as they may cause premature failure of the component.**

When changing the bulbs, ensure that they are compatible with the Bosch eBike system of the generation **the smart system** (ask your bicycle retailer) and are suitable for the specified voltage. Bulbs must only be replaced with bulbs of the same voltage.

All components fitted to the drive unit and all other components of the drive (e.g. chainring, chainring receptacle, pedals, cranks) must only be replaced with identical components or components that have been specifically approved by the manufacturer for your eBike. This will protect the drive unit from overloading and becoming damaged.

Cleaning

- ▶ **Do not submerge your eBike components in water, or wash with pressurized hose.** Your Bosch drive unit is designed to be water tight to rain water or non-pressure hose washing.

Keep all components of your eBike clean, especially the battery pack contacts and corresponding holder contacts. All components including the drive unit may

not be immersed in water or cleaned with a high-pressure cleaner. Clean them carefully with a soft, damp cloth (using only mild soap and water).

Taking care of your eBike

Please observe the operating and storage temperatures of the eBike components. Protect the drive unit, on-board computer and eBike battery against extreme temperatures (e.g. from intense sunlight without adequate ventilation). Extreme temperatures can cause the components (especially the eBike battery) to become damaged.

Have your eBike checked by an expert at least once a year (including mechanical parts, up-to-dateness of system software).

Please have your eBike serviced and repaired by an authorized bicycle dealer.

After-sales service and advice on using products

If you have any questions about the eBike and its components, contact an authorized bicycle retailer. For contact details of authorized bike dealerships, please visit www.bosch-ebike.com.

Please contact an authorized bicycle dealer if the eBike battery is no longer working.

Disposal



The drive unit, on-board computer incl. operating unit, eBike battery, speed sensor, accessories and packaging should be disposed of in an environmentally correct manner.

Do not dispose of eBikes and their components with household waste.

Please return Bosch eBike components that are no longer usable, free of charge, to an authorized bicycle dealer or a recycling center.

Subject to change without notice.

Table des matières

Introduction	2
À propos des avertissements.....	2
Avertissements généraux.....	2
Utilisez votre notice d'utilisation	3
Utilisation de votre Drive Unit Bosch	4
Consignes de sécurité	4
Description des prestations et du produit.....	6
Montage.....	7
Fonctionnement	7
Entretien/nettoyage	9
Nettoyage.....	10
Entretien du système eBike	10
Service après-vente et conseil utilisateurs	10
Élimination des déchets.....	10

Introduction

À propos des avertissements

Cette notice contient de nombreuses mentions de danger de type **DANGER, AVERTISSEMENT** et **ATTENTION** destinées à attirer l'attention sur les conséquences d'erreurs, dans le but d'utiliser, d'assembler, d'entretenir, de conserver et d'éliminer dans les règles et en toute sécurité les vélos électriques dotés d'un système eBike Bosch.

- Le symbole de sécurité et le mot **DANGER** signalent une situation à risque élevé, qui entraîne inévitablement des blessures graves, voire la mort, si elle n'est pas évitée.

- Le symbole de sécurité et le mot **AVERTISSEMENT** signalent une situation à risque élevé, pouvant entraîner des blessures graves, voire la mort, si elle n'est pas évitée.
- Le symbole de sécurité et le mot **ATTENTION** signalent une situation à risque modéré pouvant entraîner des blessures légères ou modérées si elle n'est pas évitée.

Avertissements généraux



Lisez tous les avertissements de sécurité et toutes les instructions. Le fait de ne pas respecter les avertissements et les instructions peut entraîner des blessures graves ou mortelles.

Conservez tous les avertissements et toutes les instructions pour pouvoir s'y reporter ultérieurement.

Le terme **batterie VAE** utilisé dans cette notice désigne toutes les batteries VAE Bosch d'origine de la génération **the smart system (le système intelligent)**.

- **Lisez TOUS les manuels et TOUTES les notices jointes avant d'utiliser votre vélo pour la première fois.** Votre système d'entraînement Bosch est livré avec d'autres manuels et documents fournis par le fabricant du vélo et des autres éléments. Ne pas lire ou ne pas comprendre les informations de sécurité peut entraîner des blessures graves ou mortelles.

AVERTISSEMENT

- **Cette notice contient d'importantes informations sur la sécurité, les performances et l'entretien.** Veuillez la lire avant d'utiliser votre vélo pour

la première fois, et la conserver pour référence ultérieure. Vous pouvez également retrouver cette notice en ligne à l'adresse www.bosch-ebike.com.

- **Cette notice est destinée à être lue conjointement avec le manuel utilisateur séparé fourni avec votre vélo.** Assurez-vous de lire tous les documents fournis y compris les étiquettes apposées sur le produit avant la première utilisation.
- **Assumez la responsabilité de votre propre SÉCURITÉ.** En cas de question ou d'incompréhension, contactez votre revendeur ou le fabricant du vélo ou de l'élément.
- **Certains accessoires de l'eBike peuvent présenter un risque d'étouffement pour les petits enfants.** Conservez ces accessoires hors de portée des enfants.

ATTENTION

- **Le système d'entraînement Bosch alourdit votre vélo. Vous n'avez peut-être pas l'habitude de le soulever.** Évitez de vous blesser en utilisant des techniques de levage appropriées.

Utilisez votre notice d'utilisation

Nous nous réservons le droit d'apporter à tout moment des modifications au logiciel pour corriger des erreurs ou pour modifier les fonctionnalités décrites dans la présente notice.

Graphiques

Le vélo illustré dans cette notice peut être légèrement différent de votre vélo, mais il est suffisamment similaire pour vous permettre de comprendre nos instructions.

Les côtés DROIT et GAUCHE sont déterminés en se plaçant en situation, dans le sens de la marche du vélo. Lorsqu'une ligne en pointillé (-----) apparaît, l'élément auquel il est fait référence n'est pas visible.

Utilisation de votre Drive Unit Bosch

Consignes de sécurité



Lisez et comprenez tous les avertissements et toutes les instructions. Le fait de ne pas respecter les avertissements ci-dessous peut entraîner des blessures graves ou mortelles.

Conservez tous les avertissements et toutes les instructions pour pouvoir s'y reporter ultérieurement.

Le terme **batterie VAE** utilisé dans cette notice désigne toutes les batteries VAE Bosch d'origine de la génération **the smart system (le système intelligent)**.

Les termes **unité d'entraînement** et **Drive Unit** utilisés dans cette notice désignent toutes les Drive Units Bosch d'origine de la génération **the smart system (le système intelligent)**.

► **Lisez et respectez les consignes de sécurité et les instructions de toutes les notices d'utilisation du système eBike, ainsi que la notice d'utilisation de votre eBike.**

► **N'apportez aucune modification à la Drive Unit. N'utilisez pas de produits augmentant les performances de la Drive Unit.** Vous circuleriez alors illégalement sur la voie publique. Vous risqueriez en plus de vous mettre en danger ou de mettre en danger d'autres personnes. Dans le cas d'un accident imputable à une manipulation, vous risqueriez d'avoir à payer de grosses sommes au titre de la responsabilité civile et même de faire l'objet de poursuites judiciaires. Par ailleurs, toute manipulation réduit de manière générale la durée de vie des composants électriques du VAE. Il peut en résulter un endommagement de la Drive Unit et du vélo ainsi que l'annulation de la garantie fabricant et de la garantie octroyée lors de l'achat du vélo à assistance électrique.

► **N'ouvrez pas la Drive Unit. La réparation de la Drive Unit doit être confiée à un revendeur de**

vélos agréé utilisant uniquement des pièces de rechange d'origine. La sécurité d'utilisation de la Drive Unit sera ainsi préservée. Une ouverture non autorisée de la Drive Unit annule la garantie.

► **Retirez la batterie du vélo électrique avant d'entreprendre des travaux (réparation, montage, entretien, interventions au niveau de la chaîne etc.) sur le vélo. Si le VAE est doté d'une batterie fixe, prenez des précautions qui s'imposent pour exclure toute activation du VAE.** Une activation involontaire du VAE risque de provoquer des blessures.

► **Vous ne devez pas retirer vous-même des batteries de VAE fixes. Confiez la dépose/repose des batteries de VAE fixes à un revendeur agréé.**



Dans certaines circonstances extrêmes, notamment en cas de roulage prolongé à faible vitesse avec charge élevée (dans des côtes en montagne notamment), certaines parties de l'entraînement risquent de s'échauffer jusqu'à des températures > 140 °F.

► **À la fin d'un trajet, ne touchez pas le boîtier de l'unité d'entraînement avec les mains et les jambes nues.** Dans certaines circonstances, notamment en cas de roulage prolongé à faible vitesse avec des couples élevés ou bien dans des côtes ou en montagne, le boîtier risque de s'échauffer fortement.

Facteurs qui influent sur l'échauffement du boîtier de la Drive Unit :

- Température ambiante
- Profil du trajet (dénivelé/côtes)
- Durée de conduite
- Modes d'assistance
- Comportement du conducteur (effort exercé)
- Poids total (conducteur, vélo, bagages)
- Couvre-moteur de l'unité d'entraînement

- Pouvoir de dissipation thermique du cadre du vélo
- Type d'unité d'entraînement et de système de changement de vitesses

► **N'utilisez que des batteries d'origine Bosch de la génération the smart system (le système intelligent) autorisées par le fabricant de votre vélo électrique.** L'utilisation de toute autre batterie de VAE peut entraîner des blessures et des risques d'incendie. Bosch décline toute responsabilité et exclut tout droit à garantie en cas d'utilisation d'autres batteries de VAE.

Consignes de sécurité pour l'aimant de jante

Les consignes de sécurité suivantes doivent être respectées lors de la manipulation de l'aimant de jante :

- **Attention champ électromagnétique très intense : L'aimant de jante génère un champ électromagnétique très intense qui peut altérer le contenu de supports de données magnétiques (p. ex. carte de crédit) et le fonctionnement d'appareils électroniques (p. ex. montre). Il y a risque de perte de données et d'endommagement des appareils.** N'approchez pas l'aimant trop près de supports magnétiques et appareils sensibles aux champs électromagnétiques.
- **Attention risque de blessure aux mains par les objets attirés par l'aimant : il y a risque de blessure quand vos doigts ou votre main se retrouvent coincés entre l'aimant et les objets qu'il a attirés. Il peut en résulter des blessures de la peau (p. ex. par des copeaux métalliques attirés par l'aimant), des pincements, ecchymoses, contusions ou fractures.** Pour écarter ces risques, soyez vigilant et portez des équipements de protection appropriés.
- **Danger pour les personnes porteuses d'implants et d'autres appareils médicaux tels que des stimulateurs cardiaques, défibrillateurs ou pompe à insuline : elles ne doivent pas s'approcher trop près de l'aimant de jante.**

- L'aimant génère un champ magnétique susceptible d'altérer le fonctionnement d'implants et d'appareils médicaux.
- Pour écarter tout risque, n'approchez pas l'aimant de jante de votre poitrine.
- Respectez une distance de 30 cm par rapport à la cage thoracique.
- **Respectez toutes les réglementations nationales relatives à l'homologation et l'utilisation de vélos électriques.**
- **Veillez observer toutes les réglementations locales, nationales et fédérales en vigueur lors de l'enregistrement et de l'utilisation des vélos électriques.**

Remarque relative à la protection des données

Lors du raccordement du VAE au **Bosch Diagnostic-Tool 3** ou du remplacement de composants du système eBike, des informations techniques sur votre VAE (p. ex. fabricant, modèle, ID du vélo, données de configuration) et sur son utilisation (p. ex. durée de roulage totale, consommation d'énergie, température) sont transmises à Bosch eBike Systems (Robert Bosch GmbH) pour pouvoir traiter votre demande (demande de service notamment) et à des fins d'amélioration du produit. Pour en savoir plus sur le traitement des données, rendez-vous sur www.bosch-ebike.com/privacy-full.

Description des prestations et du produit

Utilisation conforme

La Drive Unit de la génération système **the smart system (le système intelligent)** est uniquement destinée à l'entraînement de votre vélo électrique. Toute autre utilisation est interdite.

Nous nous réservons le droit d'apporter à tout moment des modifications au logiciel pour corriger des erreurs ou pour modifier les fonctionnalités décrites dans la présente notice.

Caractéristiques techniques

Drive Unit		Drive Unit Performance Line CX/Cargo/ CX Race Edition/Speed
Code produit		BDU3740 BDU3741 BDU3742 ^{A)} BDU3743 ^{A)} BDU3760 BDU3761 BDU3780 BDU3781
Puissance nominale continue	W	250
Couple maxi de la Drive Unit	Nm	85
Tension nominale	V=	36
Températures de fonctionnement	°F	23 ... 104
Températures de stockage	°F	50 ... 104
Indice de protection		IP55
Poids (approx.)	lbs	6,6

A) pas compatible avec l'aimant de jante
Bosch eBike Systems utilise FreeRTOS (voir www.freertos.org).

Éclairage du vélo^{A)}

Tension approx.	V=	12
Puissance maximale		
– Feu avant	W	17,4
– Feu arrière	W	0,6

A) Pas possible dans tous les pays via la batterie du vélo électrique, selon la législation en vigueur

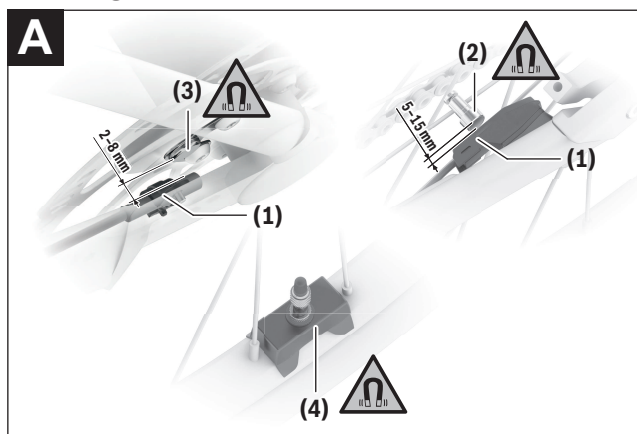
Les ampoules inappropriées risquent d'être détruites !

Indications sur le niveau sonore de la Drive Unit

Le niveau sonore (avec pondération A) de la Drive Unit est < à 70 dB(A) en cas d'utilisation normale. Dans le cadre du service **<eBike Alarm>**, la Drive Unit génère une tonalité d'alarme quand le vélo électrique est bougé sans autorisation. Le niveau sonore de cette alarme peut dépasser le seuil d'émission sonore de 70 dB(A) : il est de 80 dB(A) à 2 m de distance de la Drive Unit. L'alarme sonore n'est disponible qu'après activation du service **<eBike Alarm>**. Elle peut être désactivée dans l'application **eBike Flow**.

Montage

Contrôle du capteur de vitesse (voir figure A)



- (1) Capteur de vitesse^{a)}
- (2) Aimant de rayon
- (3) Aimant CenterLock^{b)}
- (4) Aimant de jante (rim magnet)

- a) forme de capteur différente et position de montage différente possibles
- b) position de montage différente possible

Speedsensor (slim)

Le capteur de vitesse (1) et son aimant CenterLock (3) ou son capteur de rayon (2) sont montés en usine de façon à ce que l'aimant se trouve à une dis-

tance de 2 à 15 mm du capteur de vitesse lorsqu'il passe devant ce dernier quand la roue tourne. Lorsque des modifications sont apportées à la construction, il convient de faire en sorte que la distance correcte entre aimant et capteur de vitesse soit respectée (voir figure A).

Remarque : Veillez lors de la dépose et la repose de la roue arrière à ne pas endommager le capteur ou son support.

Lorsque vous changez de roue, veillez à ce que les câbles des capteurs soient acheminés sans tension ni pliure.

L'aimant CenterLock (3) ne peut être retiré et réinséré que 5 fois au maximum.

Aimant de jante

Lors de l'installation d'un aimant de jante, aucun capteur n'est nécessaire pour détecter une rotation de la roue. L'unité d'entraînement détecte elle-même la présence de l'aimant à proximité et calcule la vitesse ainsi que toutes les autres données nécessaires en fonction de la fréquence d'apparition du champ magnétique.

L'unité d'entraînement étant sensible aux champs magnétiques, veuillez éviter les autres champs magnétiques à proximité de l'unité d'entraînement (par ex. les pédales magnétiques sans étrier, les cadence-mètres magnétiques, etc.).

Fonctionnement

Pour la mise en service du vélo à assistance électrique, une commande déportée de la génération **the smart system (le système intelligent)** est requise. Observez la notice d'utilisation de la commande déportée et des autres composants de la génération **the smart system (le système intelligent)** montés sur le vélo.

Informations sur la conduite avec votre vélo électrique

Remarque : Dans le cas des unités d'entraînement caractérisées par une vitesse maximale supérieure à **20 mph**, le système eBike démarre **toujours** dans le mode **OFF**.

Quand l'assistance électrique fonctionne-t-elle ?

L'assistance électrique vous aide à avancer tant que vous pédalez. Il n'y a pas d'assistance quand vous ne

pédalez pas. La puissance d'entraînement dépend toujours de l'effort exercé sur les pédales.

Plus vous appuyez sur les pédales, plus l'assistance électrique est élevée. Cela vaut quel que soit le niveau d'assistance.

L'assistance électrique s'arrête automatiquement dès que la vitesse de roulage atteint **20/28 mph**. L'assistance électrique se réactive automatiquement dès que la vitesse de roulage redescend en dessous de **20/28 mph**.

La fonction d'assistance à la poussée constitue une exception : Elle permet de pousser le vélo électrique à faible vitesse sans avoir à pédaler. Lors de l'utilisation de l'assistance à la poussée, les pédales peuvent être entraînées et se mettre à tourner.

Vous pouvez à tout moment utiliser le vélo électrique comme un vélo classique sans assistance. Il vous suffit pour cela d'éteindre le VAE ou de sélectionner le niveau d'assistance **OFF**. Il en va de même quand la batterie du VAE est vide.

Interaction entre la Drive Unit et le système de changement de vitesses

Vous devez avec un VAE changer de vitesses de la même façon qu'avec un vélo normal (consultez la notice d'utilisation de votre vélo électrique).

Quel que soit le type de système de changement de vitesses dont dispose le VAE, il est recommandé de réduire brièvement la pression exercée sur les pédales pendant que vous changez de vitesse. Cela facilite le changement de vitesse et réduit l'usure du mécanisme d'entraînement.

En choisissant la vitesse appropriée, vous pouvez, à effort égal, rouler plus vite et bénéficier d'une plus grande autonomie.

Faire les premières expériences

Il est recommandé de faire les premières expériences avec le vélo électrique à l'écart de rues fortement fréquentées.

Essayez des niveaux d'assistance différents. Commencez par le niveau d'assistance le plus faible. Dès que vous vous sentirez sûr de vous, vous pouvez cir-

culer sur les routes avec votre vélo électrique comme avec tout autre vélo.

Testez l'autonomie de votre vélo électrique dans différentes conditions avant de planifier des trajets longs et exigeants.

Facteurs influant sur l'autonomie

L'autonomie dépend de nombreux facteurs, notamment :

- Niveau d'assistance,
- Vitesse de roulage,
- Comportement de changement de vitesses,
- Type de pneus et pression de gonflage,
- Âge et état d'entretien de la batterie du VAE,
- Profil (dénivelé) du parcours et nature du revêtement de la chaussée,
- Sens du vent et température ambiante,
- Poids du vélo électrique, du conducteur et des bagages.

C'est pourquoi il n'est pas possible de prédire avec exactitude l'autonomie avant un trajet et pendant un trajet. Règles générales :

- Pour un **même** niveau d'assistance du système d'entraînement : moins vous aurez à exercer d'effort pour atteindre une certaine vitesse de roulage (grâce notamment à une utilisation optimale des vitesses), moins le système d'entraînement consommera d'énergie et plus l'autonomie par charge de batterie sera grande.
- Plus le niveau d'assistance sélectionné est **élevé**, moins l'autonomie est grande (pour des conditions de conduite données).

Entretien/nettoyage

⚠ AVERTISSEMENT

- ▶ **N'ouvrez aucun élément. L'entretien doit uniquement être effectué par un revendeur eBike Bosch autorisé.** Le fait de ne pas respecter l'avertissement ci-dessus peut entraîner des blessures graves ou mortelles. Reportez-vous au manuel de votre vélo ou au manuel de l'élément pour tous les éléments ne faisant pas partie du système d'entraînement Bosch.
- ▶ **Retirez toujours l'accu avant d'inspecter un vélo, de procéder à son entretien ou à sa réparation.** Le fait de ne pas retirer l'accu avant d'inspecter un vélo, de procéder à son entretien ou à sa réparation peut entraîner des blessures graves.
- ▶ **Si vous suspectez une défaillance, n'utilisez pas votre vélo.** Consultez votre revendeur eBike Bosch, seul un revendeur qualifié doit intervenir sur votre système d'entraînement Bosch. Tous les écrous, les boulons et les vis requièrent une force de serrage correcte. Une force de serrage trop faible ne permet pas la fixation sécurisée des composants. Une force de serrage excessive risque au contraire de briser les filets, et d'étendre, de déformer ou de casser les éléments de fixation. D'une manière ou d'une autre, une force de serrage incorrecte peut entraîner une défaillance de l'élément, ce qui peut vous faire perdre le contrôle de votre vélo et vous faire tomber.
- ▶ **Si vous remplacez votre batterie, achetez uniquement un accu Bosch d'origine auprès d'une source fiable et approuvée. Contactez votre revendeur eBike Bosch pour les pièces Bosch d'origine.**
- ▶ **Arrêtez toujours l'accu lorsque vous le montez ou le retirez de son support.** Ne tentez jamais de monter ni de retirer l'accu lorsque vous roulez à vélo.
- ▶ **Ne rechargez pas et n'utilisez pas votre eBike dans une zone présentant une atmosphère po-**

tentiellement explosive, par exemple dans une station-service ou dans des zones dans lesquelles l'air contient des produits chimiques ou des particules (telles que des grains, de la poussière ou des poudres métalliques). Respectez tous les panneaux et toutes les instructions.

- ▶ **Ne plongez pas vos composants eBike dans l'eau et ne les lavez pas avec un pulvérisateur haute pression.** Votre unité d'entraînement Bosch est conçue pour être étanche à l'eau de pluie ou à un tuyau d'arrosage sans pression.
- ▶ **Notez le nom du fabricant et le numéro de la clé.** Si vous perdez les clés, contactez un revendeur eBike Bosch autorisé. Veuillez fournir le nom du fabricant et le numéro de la clé.
- ▶ **Ne peignez aucun élément du système d'entraînement Bosch car cela peut entraîner une défaillance prématurée de l'élément.**

Lors du changement d'ampoules, veillez à ce que les nouvelles ampoules soient compatibles avec le système eBike Bosch de la génération **the smart system (le système intelligent)** (demandez à votre revendeur) et à ce qu'elles correspondent à la tension indiquée. Ne remplacez des ampoules défectueuses que par des ampoules de même tension.

Tous les composants de la Drive Unit et tous les autres composants du système d'entraînement du vélo électrique (plateau, fixation du plateau, pédalier, etc.) ne doivent être remplacés que par des composants identiques ou autorisés par le fabricant de vélos. Ceci permet de protéger la Drive Unit d'une surcharge et de dommages éventuels.

Nettoyage

► **Ne plongez pas vos composants eBike dans l'eau et ne les lavez pas avec un pulvérisateur haute pression.** Votre unité d'entraînement Bosch est conçue pour être étanche à l'eau de pluie ou à un tuyau d'arrosage sans pression.

Maintenez tous les éléments de votre vélo électrique propres, surtout les contacts de l'accu et les supports

de fixation. Ne plongez pas dans l'eau les éléments, y compris l'unité de l'entraînement et ne les nettoyez pas à l'aide d'un nettoyeur haute pression. Nettoyez-les soigneusement à l'aide d'un chiffon doux et humide (en utilisant uniquement du savon doux et de l'eau).

Entretien du système eBike

Respectez les températures de fonctionnement et de stockage des composants du système d'assistance électrique. Protégez la Drive Unit, l'ordinateur de bord et la batterie du VAE des températures extrêmes (par exemple d'une exposition intense aux rayons du soleil en l'absence d'aération). Les composants (surtout la batterie du VAE) peuvent être endommagés lorsqu'ils sont exposés à des températures extrêmes.

Faites contrôler l'état de votre vélo électrique au moins une fois par an (partie mécanique, version du logiciel système, etc.).

Pour le service après-vente ou les réparations sur votre vélo électrique, adressez-vous à un vélociste agréé.

Service après-vente et conseil utilisateurs

Pour toutes les questions concernant votre vélo électrique et ses éléments, adressez-vous à un vélociste agréé.

Vous trouverez les données de contact de vélocistes agréés sur le site internet www.bosch-ebike.com.

Si la batterie de VAE ne fonctionne plus, adressez-vous à un revendeur de VAE agréé.

Élimination des déchets



La Drive Unit, l'ordinateur de bord, la commande déportée, la batterie VAE, le capteur de vitesse, les accessoires et l'emballage doivent être rapportés à un centre de recyclage respectueux de l'environnement.

Ne jetez pas les systèmes eBike et leurs éléments constitutifs dans les ordures ménagères !

Rapportez les composants hors d'usage des systèmes eBike Bosch chez un vélociste agréé ou dans une déchetterie.

Sous réserve de modifications.

Índice

Introducción	2
Acerca de las advertencias	2
Advertencias generales	2
Utilización de sus Instrucciones de servicio	3
Operación de su unidad de accionamiento (Drive Unit) Bosch	4
Indicaciones de seguridad.....	4
Descripción del producto y servicio	5
Montaje.....	7
Operación	7
Mantenimiento/limpieza.....	9
Limpieza	10
Manejo cuidadoso de la eBike	10
Servicio técnico y atención al cliente	10
Eliminación.....	10

Introducción

Acerca de las advertencias

Este manual contiene muchos **PELIGROS**, **ADVERTENCIAS**, y **PRECAUCIONES** sobre las consecuencias de una falta de uso, montaje, mantenimiento, almacenamiento, inspección y eliminación de una eBike equipada por Bosch de modo seguro.

- La combinación del símbolo de alerta de seguridad y la palabra **PELIGRO** indica una situación peligrosa que, si no se evita, ocasionará la muerte o lesiones graves.
- La combinación del símbolo de alerta de seguridad y la palabra **ADVERTENCIA** indica una situación peligrosa que, si no se evita, podría provocar la muerte o lesiones graves.
- La combinación del símbolo de alerta de seguridad y la palabra **PRECAUCIÓN** indica una situación peligrosa que, si no se evita, podría ocasionar lesiones leves o moderadas.

Advertencias generales



Lea íntegramente todas las indicaciones de seguridad e instrucciones. No seguir las advertencias e instrucciones siguientes puede provocar la muerte o lesiones graves.

Guarde todas las indicaciones de seguridad e instrucciones para posibles consultas futuras.

El término **Acumulador para eBike** utilizado en estas instrucciones de servicio se refiere a todos los acumuladores originales para eBike de Bosch de la generación del sistema **the smart system (el smart system)**.

- ▶ **Lea TODOS los manuales incluidos antes de montar en la bicicleta por primera vez.** Su sistema de accionamiento de Bosch incluye manuales y documentación adicionales proporcionados por el fabricante de la bicicleta y de otros componentes. No leer o desconocer la información de seguridad puede provocar la muerte o lesiones graves.

⚠ ADVERTENCIA

- ▶ **Este manual contiene información importante de seguridad, rendimiento y mantenimiento.** Léalo antes de usar su nueva bicicleta y guárdelo a modo de referencia. Puede encontrar el manual también en línea en www.bosch-ebike.com.

- ▶ **Este manual está previsto para su lectura junto con el manual de usuario aparte que venía con su bicicleta.** Antes de usar la bici por primera vez, asegúrese de leer toda la documentación facilitada, incluidas las etiquetas que lleva el producto.
- ▶ **Por su propia SEGURIDAD, sea responsable.** Si tiene dudas o no entiende algo, consúltelo con su distribuidor o con el fabricante de la bicicleta o del componente.
- ▶ **Algunos accesorios de la eBike pueden suponer un peligro de atragantamiento para los niños pequeños.** Mantenga esos accesorios alejados de los niños.

⚠ PRECAUCIÓN

- ▶ **El sistema de accionamiento de Bosch incrementa el peso de su bicicleta, que puede que no esté acostumbrado a levantar.** Evite las lesiones; utilice técnicas de elevación adecuadas.

Utilización de sus Instrucciones de servicio

Además de las funciones aquí representadas, puede ser que se introduzcan en cualquier momento modificaciones de software para la eliminación de errores y modificaciones de funciones.

Gráficos

La bicicleta que se muestra en este manual puede diferir ligeramente de la suya; no obstante, las similitudes son suficientes para ayudarle a entender nuestras instrucciones.

Los lados DERECHO e IZQUIERDO se indican mirando en el sentido que la bicicleta tendrá al circular hacia delante. Si ve una línea discontinua (-----), el elemento al que se refiere está oculto a la vista.

Operación de su unidad de accionamiento (Drive Unit) Bosch

Indicaciones de seguridad



Lea y conozca todas las indicaciones de seguridad y las instrucciones. No seguir las advertencias siguientes puede provocar la muerte o lesiones graves.

Guarde todas las indicaciones de seguridad e instrucciones para posibles consultas futuras.

El término **Acumulador para eBike** utilizado en estas instrucciones de servicio se refiere a todos los acumuladores originales para eBike de Bosch de la generación del sistema **the smart system (el smart system)**.

Los términos **Accionamiento** y **Unidad de accionamiento** utilizados en estas instrucciones de servicio se refieren a todas las unidades de accionamiento originales Bosch de la generación del sistema **the smart system (el smart system)**.

- ▶ **Lea y siga todas las indicaciones de seguridad e instrucciones de todos los manuales de uso del sistema eBike, así como las instrucciones de uso de su eBike.**
- ▶ **No realice ningún cambio en el accionamiento. No utilice ningún producto para aumentar el rendimiento del accionamiento.** De esta forma, estará circulando de manera ilegal en el dominio público. Además, puede estar poniendo en peligro a sí mismo y a otros, arriesgándose a recibir elevadas multas en caso de accidentes causados por la manipulación e incluso a acciones penales. Por otro lado, suele reducir la durabilidad de los componentes de la eBike. Pueden producirse daños en la unidad de accionamiento y en la eBike, lo que podría anular los derechos de reclamaciones y garantías sobre la eBike adquirida.
- ▶ **No abra la unidad de accionamiento. La unidad de accionamiento solamente debe ser reparada solo con repuestos originales por personal auto-**

rizado. De esta manera, queda garantizada la seguridad de utilización de la eBike. La apertura de la unidad de accionamiento sin autorización supone la anulación del derecho de garantía.

- ▶ **Retire la batería de la eBike antes de iniciar cualquier trabajo (por ejemplo: inspección, reparación, montaje, mantenimiento, trabajos en la cadena, etc.) en la eBike. En el caso de las baterías de la eBike instaladas permanentemente, preste especial atención a que la eBike no pueda encenderse.** Existe peligro de lesiones si se activa involuntariamente la eBike.
- ▶ **Usted mismo no puede extraer las baterías de la eBike instaladas permanentemente. Encargue el montaje y desmontaje de las baterías de la eBike instaladas permanentemente al distribuidor autorizado.**



En condiciones extremas como, por ejemplo, alta carga continuada a baja velocidad en trayectos de montaña o carga, en partes del accionamiento pueden darse temperaturas > 140 °F.

- ▶ **No entre en contacto sin protección con las manos o las piernas con la carcasa de la unidad motriz después de la conducción.** En condiciones extremas, tales como pares de giro altos continuados a bajas velocidades de conducción o durante trayectos de montaña y de carga, se pueden alcanzar temperaturas muy altas en la carcasa. Las temperaturas que pueden generarse en la carcasa de la unidad motriz, están influenciadas por los siguientes factores:
 - Temperatura ambiente
 - Perfil del conducción (recorrido/pendiente de la calzada)
 - Duración del viaje

- Modo de asistencia
 - Comportamiento del usuario (propia contribución)
 - Peso total (conductor, eBike, equipaje)
 - Cubierta del motor de la unidad motriz
 - Propiedades de disipación de calor del cuadro de la bicicleta
 - Tipo de unidad motriz y tipo de cambio de marchas
- **Utilice únicamente baterías de eBikes originales de Bosch de la generación del sistema the smart system (el smart system) autorizadas por el fabricante para su eBike.** El uso de otro tipo de baterías de eBikes puede acarrear lesiones e incluso un incendio. Si se usan baterías de eBikes de otro tipo, Bosch declina cualquier responsabilidad y el derecho a garantía.

Indicaciones de seguridad para el imán de la llanta

Deben respetarse las siguientes indicaciones de seguridad al manejar el imán de la llanta:

- **Advertencia de campos magnéticos muy fuertes: El imán de la llanta genera un campo magnético muy fuerte que puede afectar a los soportes de memoria magnéticos (p. ej. tarjetas de crédito) y a los aparatos electrónicos (p. ej. relojes). Existe un riesgo de pérdidas de datos y de daños en los aparatos.** No lleve medios y aparatos susceptibles a los campos magnéticos en las inmediaciones del imán de la llanta.
- **Advertencia de lesiones en las manos debido a las piezas atraídas por el imán: Existe el riesgo de lesionarse, si sus dedos o su mano quedan atrapados entre el imán y los objetos atraídos**

por él. Pueden producirse lesiones en la piel (p. ej. cuando se atraen virutas de metal), hematomas, contusiones o fracturas. Puede evitarlo prestando atención y utilizando la ropa de protección adecuada.

► **Peligro para personas con implantes y otros aparatos médicos, como marcapasos, desfibriladores o bombas de insulina:**

No deben acercarse al imán de la llanta.

- El imán genera un campo que puede afectar al funcionamiento de los implantes y los aparatos médicos.
- Para evitar efectos adversos, el imán de la llanta no debe sostenerse directamente frente al pecho.
- Se debe mantener una distancia mínima de 30 cm con respecto al pecho.
- **Observe todas las prescripciones nacionales para la matriculación y la utilización de eBikes.**
- **Siga todos los reglamentos locales, estatales y federales cuando registre y use eBikes.**

Indicación de protección de datos

Al conectar la eBike a **Bosch DiagnosticTool 3** o sustituir componentes de la eBike, se transmite a Bosch eBike Systems (Robert Bosch GmbH) información técnica sobre su eBike (p.ej., fabricante, modelo, ID de la bicicleta, datos de configuración), así como sobre el uso de la eBike (p.ej., tiempo total de uso, consumo de energía, temperatura) para tramitar su solicitud, en caso de servicio técnico y con fines de mejora del producto. Más información sobre el procesamiento de datos se encuentran en www.bosch-ebike.com/privacy-full.

Descripción del producto y servicio

Utilización reglamentaria

La unidad de accionamiento de Bosch de la generación del sistema **the smart system (el smart system)** está destinada únicamente al accionamiento de su eBike y no debe utilizarse para otros fines.

Además de las funciones aquí representadas, puede ser que se introduzcan en cualquier momento modificaciones de software para la eliminación de errores y modificaciones de funciones.

Datos técnicos

Unidad de accionamiento	Drive Unit Performance Line CX/Cargo/CX Race Edition/Speed	
Código de producto		BDU3740 BDU3741 BDU3742 ^{A)} BDU3743 ^{A)} BDU3760 BDU3761 BDU3780 BDU3781
Potencia nominal continua	W	250
Par de giro máx. del accionamiento	Nm	85
Tensión nominal	V=	36
Temperatura de servicio	°F	23 ... 104
Temperatura de almacenamiento	°F	50 ... 104
Grado de protección		IP55
Peso, aprox.	lbs	6,6

A) no compatible con el imán de llanta

El sistema eBike de Bosch utiliza FreeRTOS (ver www.freertos.org).

Luces de bicicleta^{A)}

Tensión aprox.	V=	12
Máxima potencia		
– Luz delantera	W	17,4
– Luz trasera	W	0,6

A) dependiente de las regulaciones legales, no es posible en todas las ejecuciones específicas de cada país por el acumulador de la eBike

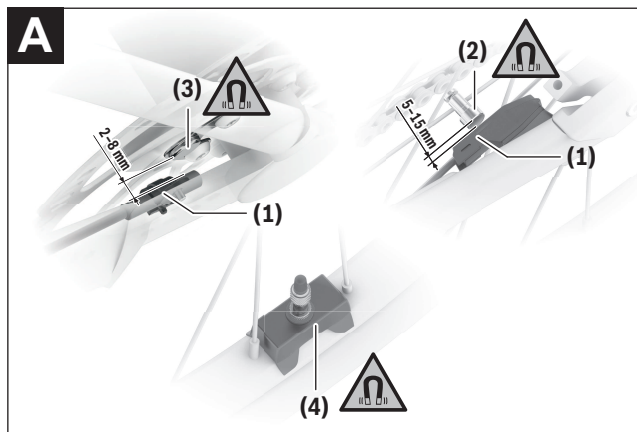
Cualquier otra lámpara podría quedar inutilizada.

Indicaciones sobre la emisión de ruidos de la unidad de accionamiento

El nivel sonoro de emisión ponderado con A de la unidad de accionamiento es de < 70 dB(A) en funcionamiento normal. Si la eBike se mueve sin autorización, la unidad de accionamiento genera un tono de alarma como parte del servicio **<eBike Alarm>**. Este tono de alarma puede superar el nivel sonoro de emisión de 70 dB(A) y es de 80 dB(A) a 2 m de distancia de la unidad de accionamiento. El tono de alarma solo está disponible después de activar el servicio **<eBike Alarm>** y se puede volver a desactivar a través de la aplicación **eBike Flow**.

Montaje

Comprobar el sensor de velocidad (ver figura A)



- (1) Sensor de velocidad^{a)}
- (2) Imán para rayos
- (3) Imán CenterLock^{b)}
- (4) Imán para la llanta (rim magnet)

a) posible diferente forma de sensor y posición de montaje

b) posible diferente posición de montaje

Speedsensor (slim)

El sensor de velocidad (1) y el correspondiente imán CenterLock (3) o imán de radios (2) están montados de fábrica de tal modo, que el imán pasa a una distan-

cia de al menos 2 mm y no más de 15 mm del sensor de velocidad en una rotación de la rueda.

En el caso de modificaciones constructivas, debe mantenerse la distancia correcta entre el imán y el sensor (véase la figura A).

Indicación: Al montar y desmontar la rueda trasera, tenga cuidado de no dañar el sensor o el soporte del sensor.

Al cambiar la rueda, asegúrese de que los cables de los sensores estén colocados sin tensión ni torceduras.

El imán CenterLock (3) solo se puede quitar y volver a poner hasta 5 veces.

Imán de llanta

En caso de la instalación de un imán de llanta, no se requiere ningún sensor para detectar la rotación de la rueda. La propia unidad de accionamiento detecta cuando el imán está en sus proximidades y calcula la velocidad y todos los demás datos necesarios a partir de la frecuencia de aparición del campo magnético.

Dado que la unidad de accionamiento es sensible a los campos magnéticos, evite otros campos magnéticos en las proximidades de la unidad de accionamiento (p. ej. pedales automáticos magnéticos, medidores de frecuencia de pedaleo magnéticos, etc.) para no perturbar la unidad de accionamiento.

Operación

Para poner en marcha la eBike, se necesita una unidad de mando de la generación del sistema **the smart system (el smart system)**. Consulte las instrucciones de servicio de la unidad de mando y, en caso necesario, de otros componentes de la generación del sistema **the smart system (el smart system)**.

Información sobre la conducción de su eBike

Indicación: Para las unidades motrices con una velocidad máxima superior a **20 mph**, el sistema eBike arranca **siempre** en el modo **OFF**.

¿Cuándo funciona el accionamiento?

El accionamiento le asiste siempre que usted vaya pedaleando. La asistencia cesa cuando deja de pedalear. La potencia del accionamiento depende siempre de la fuerza aplicada al pedalear.

Si la fuerza aplicada es baja la asistencia es menor que al aplicar gran fuerza. Ello es independiente del nivel de asistencia seleccionado.

El accionamiento se desconecta automáticamente a velocidades superiores a **20/28 mph**. Si la velocidad cae por debajo de **20/28 mph**, el accionamiento vuelve a estar disponible automáticamente.

Existe una excepción para la función de asistencia de empuje, en la que la eBike puede desplazarse a poca velocidad sin necesidad de pedalear. Los pedales pueden girar cuando se utiliza el pedaleo asistido.

La eBike se puede utilizar también sin asistencia como una bicicleta normal, ya sea desconectando la eBike o posicionando el nivel de asistencia en **OFF**. Lo mismo aplica con una batería de eBike descargada.

Funcionamiento combinado de la unidad de accionamiento con el cambio de marchas

También en una eBike, el cambio deberá utilizarse igual que en una bicicleta convencional (consulte al respecto las instrucciones de servicio de su eBike). Independientemente del tipo de cambio empleado, es recomendable reducir brevemente la presión sobre los pedales durante el proceso de cambio de marcha. Ello no sólo facilita el cambio de marcha, sino que también reduce el desgaste del mecanismo de accionamiento.

Seleccionando la marcha correcta, usted puede aumentar la velocidad y el alcance aplicando la misma fuerza muscular.

Acumulación de experiencia

Se recomienda recolectar las primeras experiencias con la eBike lejos de las carreteras más transitadas. Pruebe diferentes niveles de asistencia. Comience con el nivel de asistencia mínimo. Cuando se sienta seguro, podrá incorporarse al tráfico con la eBike del mismo modo que con cualquier bicicleta convencional.

Pruebe la autonomía de su eBike bajo diferentes condiciones antes de planificar viajes más largos y desafiantes.

Influencias sobre la autonomía

La autonomía depende de muchos factores, como:

- el nivel de asistencia,
- la velocidad,
- los cambios de marcha,
- el tipo de neumáticos y la presión de los mismos,
- la antigüedad y el estado de la batería de la eBike,

- el perfil de la ruta (subidas) y sus características (superficie de la calzada),
- el viento en contra y la temperatura ambiente, y
- el peso de la eBike, del conductor y del equipaje.

Por este motivo no es posible prever con exactitud la autonomía restante antes de emprender un viaje ni durante el mismo. Sin embargo, como regla general se aplica:

- Con el **mismo** nivel de asistencia del motor: cuanto menos fuerza deba aplicar para alcanzar una velocidad determinada (p. ej. mediante el uso óptimo de las marchas), menos energía consumirá el motor y mayor será la autonomía de la carga de la batería.
- Cuanto **mayor** sea el nivel de asistencia, manteniendo iguales las demás condiciones, tanto menor será la autonomía obtenida.

Mantenimiento/limpieza

⚠ ADVERTENCIA

- ▶ **No abra ninguno de los componentes. El mantenimiento debe llevarse a cabo exclusivamente por parte de un distribuidor de eBike de Bosch autorizado.** El incumplimiento de la advertencia anterior puede causar la muerte o lesiones graves. Consulte su manual de la bicicleta o de aquellos componentes del sistema de accionamiento que no sean de Bosch.
- ▶ **Retire siempre la batería antes de realizar cualquier inspección, reparación o trabajo de mantenimiento en la bicicleta.** No retirar la batería antes de realizar cualquier inspección, reparación o trabajo de mantenimiento en la bicicleta puede causar la muerte o lesiones graves.
- ▶ **Si cree que hay algo suelto, no utilice la bicicleta.** Consulte a su distribuidor de eBike de Bosch; solo un proveedor de servicios cualificado puede efectuar trabajos en su sistema de accionamiento de Bosch. Las tuercas, los pernos y los tornillos necesitan la fuerza de apriete correcta. Con una fuerza menor de la necesaria, el cierre podría no estar bien sujeto. Con una fuerza excesiva, el cierre puede estropear las roscas, forzarse, deformarse o romperse. En todo caso, una fuerza de apriete incorrecta puede provocar un fallo en los componentes, lo que le puede hacer perder el control y caer.
- ▶ **Si cambia la batería, adquiera únicamente baterías originales de Bosch en un punto de venta autorizado. Diríjase a su distribuidor de eBike de Bosch para adquirir recambios originales.**
- ▶ **Desconecte siempre la batería cuando la introduzca o extraiga del soporte.** Nunca intente introducir ni extraer la batería con la bicicleta en marcha.
- ▶ **No cargue ni utilice la eBike en lugares con una atmósfera potencialmente explosiva, como gasolineras, ni en zonas en las que el aire contenga productos químicos o partículas (como semillas,**

polvo o polvo de metales). Obedezca todas las señales e instrucciones.

- ▶ **No sumerja los componentes eBike en el agua ni los limpie con una manguera a presión.** El accionamiento de Bosch está diseñado para ser impermeable al agua de lluvia o a una limpieza con manguera sin presión.
- ▶ **Apunte el fabricante y el número de la llave.** Si pierde las llaves, diríjase a un distribuidor de eBike de Bosch autorizado. Facilite el nombre del fabricante y el número de la llave.
- ▶ **No pinte los componentes del sistema de accionamiento de Bosch, ya que eso podría causar un fallo temprano de los mismos.**

Al cambiar las luces, asegúrese de que las lámparas sean compatibles con el sistema eBike de Bosch de la generación **the smart system (el smart system)** (pregunte en su establecimiento especializado) y la tensión especificada coincida. Las lámparas solo pueden cambiarse por otras de la misma tensión.

Todos los componentes montados en la unidad de accionamiento y todos los demás componentes del accionamiento (p. ej. plato, portaplatos, pedales, manivelas) solamente deberán sustituirse por componentes de construcción idéntica o por componentes especialmente homologados por el fabricante de su eBike. Con ello se evita una sobrecarga o deterioro de la unidad de accionamiento.

Limpieza

► **No sumerja los componentes eBike en el agua ni los limpie con una manguera a presión.** El accionamiento de Bosch está diseñado para ser impermeable al agua de lluvia o a una limpieza con manguera sin presión.

Mantenga limpios los componentes de su eBike, especialmente los contactos del acumulador y del respectivo soporte. Todos los componentes inclusive la unidad motriz no deberán sumergirse en agua ni tratarse con una limpiadora de alta presión. Límpielos con un paño suave y húmedo (utilice únicamente jabón neutro y agua).

Manejo cuidadoso de la eBike

Observe la temperatura de funcionamiento y almacenamiento de los componentes de la eBike. Proteja la unidad de accionamiento, el ordenador de a bordo y la batería de la eBike de temperaturas extremas (p. ej. debido a una irradiación solar intensa sin ventilación simultánea). Las temperaturas extremas pueden

dañar los componentes (especialmente las baterías de la eBike).

Deje revisar su eBike al menos una vez al año (el sistema mecánico, la actualidad y el software del sistema, entre otros).

Para el servicio o las reparaciones de la eBike, contáctese con un distribuidor de bicicletas autorizado.

Servicio técnico y atención al cliente

En caso de cualquier consulta sobre la eBike y sus componentes, diríjase a un distribuidor de bicicletas autorizado.

Los detalles de contacto de los distribuidores de bicicletas autorizados se pueden encontrar en el sitio web www.bosch-ebike.com.

Si la batería de su eBike ya no funciona, acuda a un distribuidor de bicicletas autorizado.

Eliminación



La unidad de accionamiento, el ordenador de a bordo incl. la unidad de mando, el acumulador para eBike, el sensor de velocidad, los accesorios y los embalajes deben reciclarse de forma respetuosa con el medio ambiente.

¡No arroje eBikes y sus componentes a la basura!

Le rogamos que entregue gratuitamente los componentes de eBikes de Bosch inservibles a un distribuidor de bicicletas autorizado o a un centro de reciclaje.

Reservado el derecho de modificación.

Cette notice contient d'importantes informations sur la sécurité, les performances et l'entretien. Lisez-les et comprenez-les ainsi que les informations fournies par le fabricant de votre vélo avant d'utiliser le produit, et conservez-les pour référence ultérieure.

Owner's Manual Intuvia 100

BHU3200

Robert Bosch GmbH
72757 Reutlingen
Germany

www.bosch-ebike.com

0 275 U07 3BI (2023.03) T / 46



Este manual contiene información importante de seguridad, rendimiento y mantenimiento. Léalo y asegúrese de entenderlo junto con la información que le ha facilitado el fabricante de su bicicleta antes de usar el producto; guárdelo a modo de referencia.

en Original operating instructions
fr Notice d'utilisation d'origine
es Instrucciones de servicio originales

This manual contains important safety, performance and service information. Read and understand it along with the information provided to you by your bicycle manufacturer before using the product, and keep it for reference.



Table of Contents

Introduction	2
About Warnings	2
General Warnings	2
Using your Manual	3
Operating your Bosch On-board Computer	4
Safety instructions	4
Product Description and Specifications	7
Assembly	9
Operation	10
Displays and settings of the on-board computer	12
Maintenance and Service	14
Maintenance and cleaning	14
After-sales service and advice on using products	14
Transport	14
Battery Recycling Program	14

Introduction

About Warnings

This manual contains many **DANGER**, **WARNING**, and **CAUTION** indicators concerning the consequences of failure to use, assemble, maintain, store, inspect and dispose of a Bosch-equipped eBike in a safe manner.

- The combination of the safety alert symbol and the word **DANGER** indicates a hazardous situation that, if not avoided, will result in death or serious injury.
- The combination of the safety alert symbol and the word **WARNING** indicates a hazardous situation that, if not avoided, could result in death or serious injury.
- The combination of the safety alert symbol and the word **CAUTION** indicates a hazardous situation that, if not avoided, could result in minor or moderate injury.

General Warnings



Read all safety warnings and all instructions. Failure to follow the warnings and instructions may result in death or serious injury.

Save all safety warnings and instructions for future reference.

The term **eBike battery** used in these operating instructions refers to all original Bosch eBike batteries from the system generation **the smart system**.

- ▶ **Read ALL accompanying manuals before riding the bike for the first time.** Your Bosch Drive System comes with additional manuals and documents provided by the manufacturer of the bicycle and other components. Failure to read and understand safety information can result in death or serious injury.

WARNING

- ▶ **This manual contains important safety, performance and service information.** Read it before you take the first ride on your new bicycle, and keep it for reference. The manual can also be found online at www.bosch-ebike.com.
- ▶ **This manual is intended to be read together with the separate user manual provided with your bicycle.** Be sure to read all provided documents including labels on the product before your first ride.

- ▶ **Take responsibility for your own SAFETY.** If you have any questions or do not understand something, consult with your dealer or the bicycle or component manufacturer.
- ▶ **Some eBike accessories may present a choking hazard to small children.** Keep these accessories away from children.

CAUTION

- ▶ **The Bosch Drive System adds weight to your bicycle which you may not be used to lift.** Avoid injury, use proper lifting techniques.

Using your Manual

In addition to the functions outlined here, changes to software relating to troubleshooting and functional modifications may be introduced at any time.

Graphics

The bicycle shown in this manual may differ slightly from your bicycle, but will be similar enough to help you understand our instructions.

RIGHT-HAND and LEFT-HAND sides are determined by facing in the direction the bicycle will travel when going forward. When you see a broken line (-----), the item referred to is hidden from view.

Operating your Bosch On-board Computer

Safety instructions



Read all the safety and general instructions. Failure to follow the warnings and instructions may result in electric shock, fire and/or serious injury.

Save all safety warnings and instructions for future reference.

The term **eBike battery** used in these operating instructions refers to all original Bosch eBike batteries from the system generation **the smart system**.

The term **drive unit** used in these operating instructions refers to all original Bosch drive units from the system generation **the smart system**.

- ▶ **Read and observe the safety warnings and instructions in all operating instructions of the eBike system and your eBike.**
- ▶ **Do not attempt to attach the on-board computer or the operating unit while riding!**
- ▶ **Do not allow yourself to be distracted by the display of the on-board computer.** If you do not concentrate exclusively on the traffic around you, you risk being involved in an accident. If you want to change any settings on the on-board computer other than the assistance level, always stop before entering the relevant data.
- ▶ **Do not operate your smartphone during the journey.** If you do not concentrate exclusively on the traffic around you, you risk being involved in an accident. When using your smartphone, only enter the relevant data once you've stopped.
- ▶ **Set the brightness of the on-board computer such that you can adequately see important information like speed or warning symbols.** An incorrectly set on-board computer brightness can result in dangerous situations.
- ▶ **Do not open the on-board computer.** Opening the on-board computer can result in irreparable damage and void your warranty.
- ▶ **Do not use the on-board computer as a handle.** Lifting the eBike up by the on-board computer can cause irreparable damage to the on-board computer.
- ▶ **Do not stand your eBike upside down on its saddle and handlebars if the on-board computer or its holder protrude from the handlebars.** This may irreparably damage the on-board computer or the holder. Also remove the on-board computer before placing the eBike on a wall mount to ensure that the on-board computer does not fall off or become damaged.
- ▶ **Caution!** Using the on-board computer with *Bluetooth*[®] and/or WiFi can interfere with the operation of other devices and systems, including airplanes and medical devices (e.g. pacemakers, hearing aids). Similarly, the possibility that this may cause damage to humans and animals in the immediate vicinity cannot be completely excluded. Do not use the on-board computer with *Bluetooth*[®] in the vicinity of medical devices, service stations, chemical plants, blasting areas or other areas where there is a risk of explosion. Do not use the on-board computer with *Bluetooth*[®] in airplanes. Avoid using the device in close proximity to your body over an extended period of time.
- ▶ The *Bluetooth*[®] wordmark and its logos are the registered trademarks and property of Bluetooth SIG, Inc. Any use of this wordmark/these logos by Robert Bosch GmbH, Bosch eBike Systems is under license.
- ▶ **The on-board computer is fitted with a radio interface. Local operating restrictions, e.g. in airplanes or hospitals, must be adhered to.**
- ▶ **Do not enter information or make selections while riding.** Interacting with the display unit while riding can lead to accidents causing serious injury

or death. You must observe road and traffic conditions, and comply with traffic laws at all times.

- ▶ **Accessing other apps, reading pop up messages/other content, or otherwise using your mobile device while operating an eBike may be distracting. Distracted driving is a serious safety concern and can lead to accidents causing serious injury or death. In order to prevent distracted driving, most mobile devices come equipped with a “Do Not Disturb” mode. The “Do Not Disturb” mode should be used while operating an eBike.** Please consult your device-specific instructions for more information. You, as the eBike operator, are fully responsible for ensuring that you pay attention to road conditions and comply with traffic laws at all times.
- ▶ **Do not activate push assistance function while riding on the bike.** Only use push assistance function when pushing the eBike.
- ▶ Please note that certain State or local laws may require that class III eBikes must be equipped with a functioning speedometer that displays speed in miles per hour. Riders must be aware of any and all applicable rules and regulations related to the operation or use of class III eBikes in any applicable jurisdictions before operating or otherwise using this product.

Safety instructions for button/coin cells

- ▶ **WARNING! Ensure that the button/coin cell is kept out of the reach of children.** Button/coin cells are dangerous.
- ▶ **Button/coin cells must never be swallowed or inserted into any other part of the body. If you suspect that someone has swallowed a button/coin cell or that a button/coin cell has entered the body in another way, seek medical attention immediately.** Swallowing button/coin cells can result in severe internal burns and death within two hours.
- ▶ **Ensure that button/coin cell replacement is carried out properly.** There is a risk of explosion.

- ▶ **Only use the button/coin cells listed in this operating manual.** Do not use any other button/coin cells or other forms of electrical power supply.
- ▶ **Do not attempt to recharge the button/coin cell and do not short circuit the button/coin cell.** The button/coin cell may leak, explode, catch fire and cause personal injury.
- ▶ **Remove and dispose of drained button/coin cells correctly.** Drained button/coin cells may leak and cause personal injury or damage the product.
- ▶ **Do not overheat the button/coin cell or throw it into fire.** The button/coin cell may leak, explode, catch fire and cause personal injury.
- ▶ **Do not damage the button/coin cell and or take the button/coin cell apart.** The button/coin cell may leak, explode, catch fire and cause personal injury.
- ▶ **Do not allow damaged button/coin cells to come into contact with water.** Leaking lithium may mix with water to create hydrogen, which could cause a fire, an explosion, or personal injury.

NOTICE: This device complies with part 15 of the FCC Rules. Operation is subject to the following two conditions:

1. This device must not cause harmful interference, and
2. this device must accept any interference received, including interference that may cause undesired operation.

NOTICE: Changes or modifications made to this equipment not expressly approved by the Robert Bosch GmbH may void the FCC authorization to operate this equipment.

NOTE: This equipment has been tested and found to comply with the limits for a Class B digital device, pursuant to Part 15 of the FCC Rules. These limits are designed to provide reasonable protection against harmful interference in a residential installation. This equipment generates, uses and can radiate radio frequency energy and, if not installed and used in accordance with the instructions, may cause harmful inter-

ference to radio communications. However, there is no guarantee that interference will not occur in a particular installation. If this equipment does cause harmful interference to radio or television reception, which can be determined by turning the equipment off and on, the user is encouraged to try to correct the interference by one or more of the following measures:

- Reorient or relocate the receiving antenna.
- Increase the separation between the equipment and receiver.
- Connect the equipment into an outlet on a circuit different from that to which the receiver is connected.
- Consult the dealer or an experienced radio/TV technician for help.

Radiofrequency radiation exposure Information:

The radiated output power of the device is far below the FCC radio frequency exposure limits. Nevertheless, the device shall be used in such a manner that the potential for human contact during normal operation is minimized.

This equipment complies with FCC radiation exposure limits set forth for an uncontrolled environment. This equipment should be installed and operated with minimum distance of 20 cm between the radiator and your body. This transmitter must not be co-located or operating in conjunction with any other antenna or transmitter.

ISED Notice (Canada)

This device contains licence-exempt transmitter(s)/ receiver(s) that comply with Innovation, Science and Economic Development Canada's licence-exempt RSS(s). Operation is subject to the following two conditions:

1. this device may not cause interference, and
2. this device must accept any interference, including interference that may cause undesired operation of the device.

This equipment complies with Canada radiation exposure limits set forth for an uncontrolled environment. This equipment should be installed and operated with

minimum distance of 20 cm between the radiator and your body. This transmitter must not be co-located or operating in conjunction with any other antenna or transmitter.

Certification information: For FCC- and IC-ID press and hold *Bluetooth*[®] button until **<Certifications>** appears on the display. Release *Bluetooth*[®] button and FCC-ID appears. Another short press of *Bluetooth*[®] button shows IC-ID.

Privacy notice

When connecting the eBike to the **Bosch Diagnostic-Tool 3** or when exchanging eBike components, technical information about your eBike (e.g. manufacturer, model, bike ID, configuration data) as well as regarding the use of the eBike (e.g. total travel time, energy consumption, temperature) is transmitted to Bosch eBike Systems (Robert Bosch GmbH) for processing your request, in service cases and for the purposes of product improvement. More information on data processing can be found at www.bosch-ebike.com/privacy-full.

Product Description and Specifications

Intuvia 100 Product Features



- | | |
|--|--|
| (1) Bluetooth® button | (9) On-board computer |
| (2) Battery compartment cover | (10) Battery compartment |
| (3) Locking screw support | (11) Holder fastening screw |
| (4) On-board computer contact | (12) Slotted screwdriver ^{a)} |
| (5) Reset button | (13) Non-rechargeable battery (coin cell type CR2450) |
| (6) Locking screw for on-board computer | (14) Rubber seal |
| (7) Holder for on-board computer | a) Not included in the scope of delivery |
| (8) On-board computer cradle | |

Display Elements of On-Board Computer

- (a) Battery charge indicator of eBike battery
- (b) Bicycle lights display
- (c) Assistance level indicator
- (d) Drive unit assistance indicator
- (e) Unit indicator
- (f) Text indicator
- (g) Navigation bar
- (h) Value indicator
- (i) Speedometer

Intended Use

The **Intuvia 100** on-board computer is designed to display cycling data on an eBike from the system generation **the smart system**.

To access the full functionality of the eBike and the **Intuvia 100** on-board computer, you will need a compatible smartphone installed with the **eBike Flow** app (available from the Apple App Store or the Google Play Store), e.g. for **<Reset trip>**.

Technical Data

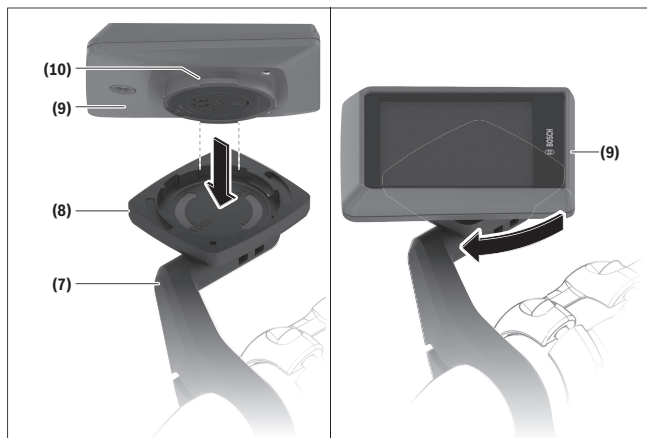
On-board computer	Intuvia 100	
Product code		BHU3200
Operating temperature ^{A)}	°F	23 to 104
Batteries		1 × CR2450
Storage temperature	°F	50 to 104
Protection rating		IP55
Weight, approx.	lb	0.14
<i>Bluetooth®</i> Low Energy 5.0		
– Frequency	MHz	2400–2480
– Transmission power	mW	≤ 1

A) Temperatures outside of this range may cause faults in the display.

The license information for the product is available at the following Internet address: www.bosch-ebike.com/licences

Assembly

Inserting and Removing the On-Board Computer

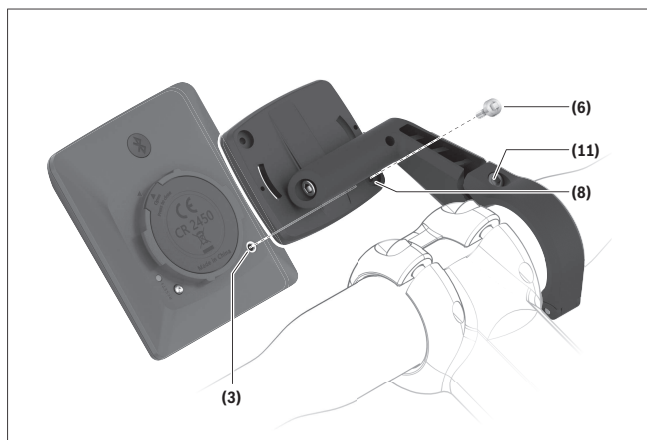


To **insert** the **(9)** on-board computer, insert the lugs of the battery compartment **(10)** into the cradle **(8)** of the holder, and gently press down on the on-board computer. To lock, turn the on-board computer clockwise until it engages.

To **remove** the on-board computer **(9)**, turn it counterclockwise and remove the on-board computer from the cradle **(8)**.

► **When you park up the eBike, remove the on-board computer.**

Inserting the Locking Screw



The on-board computer can be secured in place to prevent it from being removed from the holder. The on-board computer must be in the holder for this.

Undo the fastening screw **(11)** of the clamp with a hex key until the holder **(7)** can be moved. Turn the holder **(7)** until the bottom side of the on-board computer is accessible. Insert the locking screw **(6)** and bolt it with the on-board computer. Align the holder **(7)** correctly with the on-board computer and tighten the fastening screw **(11)** again with a hex key.

Note: The locking screw is not designed to prevent theft.

Operation

Connection of the on-board computer to the eBike (pairing)

Your on-board computer is generally already connected with the eBike. If this is not the case, proceed as follows:

- Install the **eBike Flow** app.
- Activate *Bluetooth*[®] on your smartphone and open the **eBike Flow** app.
- Briefly press the *Bluetooth*[®] button.
- The device identification is shown on the on-board computer.
- Select the required tool with the same identification in the **eBike Flow** app.

You can find further information at the following link: www.bosch-ebike.com/de/help-center/intuvia-100.



Depending on the operating system of the smartphone, the **eBike Flow** app can be downloaded free of charge from the Apple App Store or Google Play Store.

Scan the code with your smartphone to download the **eBike Flow** app.

Switching the On-board computer On/Off

Switch on the eBike.

To **switch on** the on-board computer, it must first be inserted in the holder. The on-board computer contact **(4)** is automatically pressed.

Switch on the operating unit and slowly move the eBike.

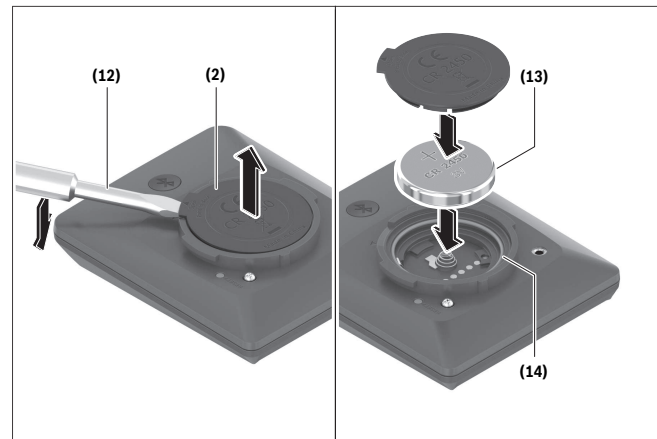
The following options are available for **switching off** the on-board computer:

- Press the on/off button on the operating unit to switch off the eBike.
The on-board computer is also switched off.
- Remove the on-board computer from its holder.
The on-board computer switches off automatically after 60 s.

Power supply of the On-board Computer

The on-board computer is provided with energy by the CR2450 button/coin cell.

Changing the coin cell



If the coin cell of the on-board computer is almost empty, you will be shown a corresponding message on the on-board computer. Open the battery compartment cover **(2)** with a slotted screwdriver **(12)**, remove the used coin cell and insert a new coin cell of type CR2450. You can obtain the coin cells recommended by Bosch from your bicycle retailer.

When inserting the coin cell, ensure that the coin cell is inserted with the label facing upward and that the rubber seal **(14)** is positioned correctly.

Seal the battery compartment and slide the on-board computer onto the holder.

Battery charge indicator of the eBike battery

The on-board computer shows the state of charge of the eBike battery in percent. A notification is displayed once when the state of charge falls below 30 %, and again when it falls below 10 %. The notification can be acknowledged, otherwise it goes away automatically after 5 s.

Operation

The *Bluetooth*[®] button **(1)** has various functions. If the on-board computer was connected with an operating unit and has been removed from the holder, the displays can be switched within 60 s. To do so, briefly

press the *Bluetooth*® button **(1)**. The on-board computer is then placed into stand-by mode.

Note: If you are not going to be using your eBike for several weeks, remove the on-board computer from its holder and set the on-board computer to storage mode. To do so, press the *Bluetooth*® button **(1)** for 8 to 11 s.

Once you reinsert the on-board computer back into the holder and move the eBike, the storage mode will be automatically deactivated.

The reset button **(5)** serves to reset the on-board computer to factory settings and delete all connections.

The on-board computer can be operated via one of the operating units shown. The functions of the buttons on the operating units are explained in the following overview.

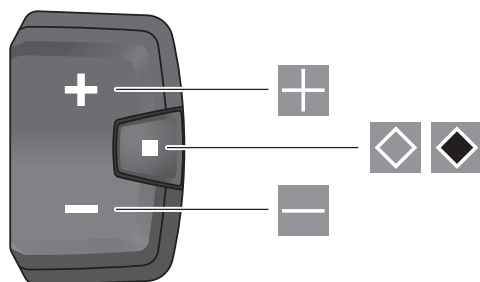
Depending on how long it is pressed for, the select button has 2 functions.

- Navigate right (five-button operating unit)
- ⊞ Increase assistance level
- ⊟ Decrease assistance level
- ◇ Select button (press briefly)
- ◼ Select button (press and hold > 1 s)

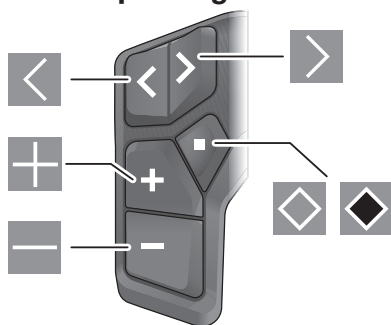
Note: All interface displays and texts on the following pages correspond to the release status of the software. The interface displays and texts may change slightly following a software update.

Note: Depending on the lighting conditions, there is background lighting that is only activated by pressing a button. The lighting duration can be adjusted.

Three-button operating unit



Five-button operating unit



- ◀ Navigate left (five-button operating unit)

Displays and settings of the on-board computer

Speed and distance indicators

The speedometer always displays the current speed.

You can choose from the following functions in the function display (combination of text indicator and value indicator):

- **<Distance>**: Distance traveled since the last reset
- **<Riding time>**: Journey time since the last reset
- **<Time>**: Current time
- **<Range>**: Estimated range of the available eBike battery charge (at constant conditions such as assistance level, route profile, etc.)
- **<Avg. Speed>**: Average speed achieved since the last reset
- **<Max. Speed>**: Maximum speed achieved since the last reset
- **<Total distance>**: Total distance traveled with the eBike (cannot be reset)

Note: The on-board computer automatically displays a gear change recommendation when riding the eBike. The display of the gear change recommendation is superimposed over the text display (**f**) of the on-board computer, and can be deactivated manually via the basic settings.

Switching to the function display



Press the ◀ or ▶ button until the required function is displayed.



Press the ◻ select button until the required function is displayed.

Certain settings cannot be assumed on the on-board computer, but only in the **eBike Flow** app, e.g.:

- **<Wheel circum.>**
- **<Range reset>**
- **<Auto trip reset>**

In addition, you receive an overview of the operating hours and the installed components in the **eBike Flow** app.

Displaying/Adjusting Basic Settings

Note: The settings menu cannot be called up while riding.

To get to the basic settings menu, press the ◻ select button on the operating unit until **<Settings>** appears in the text display.

Switching/Leaving Basic Settings



Press the ◀ or ▶ button until the required basic setting is displayed.



Press the ◻ select button until the required basic setting is displayed.

Note: The changed setting is automatically saved upon leaving the respective basic setting.

Changing Basic Settings



To scroll down, briefly press the ◻ select button until the required value is displayed.



To scroll down, press the ◻ select button > 1 s until the required value is displayed.

Note: Pressing and holding the relevant button switches automatically to the next value in the basic settings.

You can choose between the following basic settings:


- **<Language>**: You can select your preferred system language here.
- **<Units>**: Displaying the speed and distance in either kilometers or miles.
- **<Time>**: You can set the time here.
- **<Time format>**: Displaying the time in 12-hour or 24-hour format.
- **<Shift recom.>**: You can choose whether or not to have a prompt displayed when it is recommended that you change gears.
- **<Backlight>**: You can set the duration of the background lighting here.
- **<Brightness>**: The brightness can be adjusted in steps of 5 % from 5 to 100 %.

- **<Reset settings?>**: You can reset the settings by pressing and holding the select button here.
- **<Certifications>**: FCC-ID: 2AWRC-BHU3200, IC-ID: 26294-BHU3200
- **<Back>**: You can leave the settings menu with this function.


Leaving the Basic Settings Menu

You leave the basic settings menu automatically if you are inactive for 60 s or start riding the eBike, or by using the **<Back>** function.



Briefly press the  select button to leave the basic settings menu using the **<Back>** function.



Press the  select button > 1 s to leave the basic settings menu using the **<Back>** function.

Maintenance and Service

Maintenance and cleaning

Do not clean any of the components with pressurized water.

Keep the display of your on-board computer clean.

Dirt can cause faulty brightness detection.

Clean your on-board computer using a soft cloth dampened only with water. Do not use cleaning products of any kind.

Have your eBike checked by an expert at least once a year (including mechanical parts, up-to-dateness of system software).

The bike retailer can also schedule the service based on a mileage and/or a time period. In this case, the

on-board computer displays a message telling you when the service date is due each time it is switched on.

Please have your eBike serviced and repaired by an authorized bicycle dealer.

► **Only have repairs performed by a certified bicycle dealer.**

Note: If you hand over your eBike to a bicycle dealer for maintenance, it is recommended to temporarily deactivate **<eBike Lock>** and **<eBike Alarm>** to avoid a false alarm.

After-sales service and advice on using products

If you have any questions about the eBike and its components, contact an authorized bicycle retailer.

For contact details of authorized bike dealerships, please visit www.bosch-ebike.com.

Transport

► **If you transport your eBike attached to the outside of your car, e.g. on a bike rack, remove the on-board computer and the eBike battery (ex-**

cept fixed mount battery) to avoid damaging them.

Battery Recycling Program



The drive unit, on-board computer incl. operating unit, eBike battery, speed sensor, accessories and packaging should be disposed of in an environmentally correct manner.

Do not dispose of eBikes and their components with household waste.



You may recycle your Bosch battery pack by calling 1.800.822.8837.

Table des matières

Introduction	2
À propos des avertissements.....	2
Avertissements généraux.....	2
Utilisez votre notice d'utilisation	3
Utilisation de votre ordinateur de bord Bosch	4
Consignes de sécurité	4
Description des prestations et du produit.....	8
Montage	10
Fonctionnement	11
Affichage et configuration de l'ordinateur de bord	13
Entretien et service après-vente	15
Nettoyage et entretien.....	15
Service après-vente et conseil utilisateurs	15
Transport	15
Programme de recyclage des accus	15

Introduction

À propos des avertissements

Cette notice contient de nombreuses mentions de danger de type **DANGER, AVERTISSEMENT** et **ATTENTION** destinées à attirer l'attention sur les conséquences d'erreurs, dans le but d'utiliser, d'assembler, d'entretenir, de conserver et d'éliminer dans les règles et en toute sécurité les vélos électriques dotés d'un système eBike Bosch.

- Le symbole de sécurité et le mot **DANGER** signalent une situation à risque élevé, qui entraîne inévitablement des blessures graves, voire la mort, si elle n'est pas évitée.

- Le symbole de sécurité et le mot **AVERTISSEMENT** signalent une situation à risque élevé, pouvant entraîner des blessures graves, voire la mort, si elle n'est pas évitée.
- Le symbole de sécurité et le mot **ATTENTION** signalent une situation à risque modéré pouvant entraîner des blessures légères ou modérées si elle n'est pas évitée.

Avertissements généraux



Lisez tous les avertissements de sécurité et toutes les instructions. Le fait de ne pas respecter les avertissements et les instructions peut entraîner des blessures graves ou mortelles.

Conservez tous les avertissements et toutes les instructions pour pouvoir s'y reporter ultérieurement.

Le terme **batterie VAE** utilisé dans cette notice désigne toutes les batteries VAE Bosch d'origine de la génération **the smart system (le système intelligent)**.

- **Lisez TOUS les manuels et TOUTES les notices jointes avant d'utiliser votre vélo pour la première fois.** Votre système d'entraînement Bosch est livré avec d'autres manuels et documents fournis par le fabricant du vélo et des autres éléments. Ne pas lire ou ne pas comprendre les informations de sécurité peut entraîner des blessures graves ou mortelles.

AVERTISSEMENT

- **Cette notice contient d'importantes informations sur la sécurité, les performances et l'entretien.** Veuillez la lire avant d'utiliser votre vélo pour

la première fois, et la conserver pour référence ultérieure. Vous pouvez également retrouver cette notice en ligne à l'adresse www.bosch-ebike.com.

- **Cette notice est destinée à être lue conjointement avec le manuel utilisateur séparé fourni avec votre vélo.** Assurez-vous de lire tous les documents fournis y compris les étiquettes apposées sur le produit avant la première utilisation.
- **Assumez la responsabilité de votre propre SÉCURITÉ.** En cas de question ou d'incompréhension, contactez votre revendeur ou le fabricant du vélo ou de l'élément.
- **Certains accessoires de l'eBike peuvent présenter un risque d'étouffement pour les petits enfants.** Conservez ces accessoires hors de portée des enfants.

ATTENTION

- **Le système d'entraînement Bosch alourdit votre vélo. Vous n'avez peut-être pas l'habitude de le soulever.** Évitez de vous blesser en utilisant des techniques de levage appropriées.

Utilisez votre notice d'utilisation

Nous nous réservons le droit d'apporter à tout moment des modifications au logiciel pour corriger des erreurs ou pour modifier les fonctionnalités décrites dans la présente notice.

Graphiques

Le vélo illustré dans cette notice peut être légèrement différent de votre vélo, mais il est suffisamment similaire pour vous permettre de comprendre nos instructions.

Les côtés DROIT et GAUCHE sont déterminés en se plaçant en situation, dans le sens de la marche du vélo. Lorsqu'une ligne en pointillé (-----) apparaît, l'élément auquel il est fait référence n'est pas visible.

Utilisation de votre ordinateur de bord Bosch

Consignes de sécurité



Lisez attentivement toutes les instructions et consignes de sécurité. Le non-respect des instructions et consignes de sécurité peut provoquer un choc électrique, un incendie et/ou entraîner de graves blessures.

Conservez tous les avertissements et toutes les instructions pour pouvoir s'y reporter ultérieurement.

Le terme **batterie VAE** utilisé dans cette notice désigne toutes les batteries VAE Bosch d'origine de la génération **the smart system (le système intelligent)**.

Le terme **Drive Unit** utilisé dans cette notice désigne toutes les Drive Units Bosch d'origine de la génération **the smart system (le système intelligent)**.

- ▶ **Lisez et respectez les consignes de sécurité et les instructions de toutes les notices d'utilisation du système eBike, ainsi que la notice d'utilisation de votre eBike.**
- ▶ **N'essayez pas de fixer l'ordinateur de bord ou la commande déportée tout en roulant !**
- ▶ **Ne vous laissez pas distraire par l'affichage sur l'ordinateur de bord.** Si vous ne vous concentrez pas pleinement sur les conditions de circulation, vous risquez d'être impliqué dans un accident. Pour changer de niveau d'assistance et effectuer des entrées dans votre ordinateur de bord, arrêtez-vous et saisissez les données souhaitées.
- ▶ **N'utilisez pas votre smartphone pendant que vous roulez.** Si vous ne vous concentrez pas pleinement sur la circulation routière, vous risquez d'être impliqué dans un accident. Arrêtez-vous avant de saisir des données.
- ▶ **Réglez la luminosité de l'ordinateur de bord de façon à pouvoir bien voir les informations importantes telles que la vitesse ou les symboles**

d'avertissement. Une luminosité mal réglée peut conduire à des situations dangereuses.

- ▶ **N'ouvrez pas l'ordinateur de bord.** Le fait de l'ouvrir annule la garantie. Il risquerait par ailleurs d'être détérioré.
- ▶ **Ne vous servez pas de l'ordinateur de bord comme d'une poignée.** Si vous soulevez votre vélo en le saisissant par l'ordinateur de bord, ce dernier risque d'être endommagé irrémédiablement.
- ▶ **Ne retournez pas le vélo en prenant appui sur le guidon et la selle quand l'ordinateur de bord ou son support sont montés sur le guidon.** L'ordinateur de bord ou son support de fixation risqueraient de subir des dommages irréparables. Retirez l'ordinateur de bord avant de fixer le vélo dans un support de montage, pour éviter que l'ordinateur de bord tombe ou soit endommagé.
- ▶ **Attention !** En cas d'utilisation de l'ordinateur de bord en mode *Bluetooth*® et/ou WiFi, les ondes émises risquent de perturber le fonctionnement de certains appareils et installations ainsi que le fonctionnement des avions et des appareils médicaux (par ex. stimulateurs cardiaques, prothèses auditives). Les ondes émises peuvent aussi avoir un effet nocif sur les personnes et les animaux qui se trouvent à proximité immédiate de l'appareil. N'utilisez pas l'ordinateur de bord en mode *Bluetooth*® à proximité d'appareils médicaux, de stations-service, d'usines chimiques et lorsque vous vous trouvez dans des zones à risque d'explosion ou dans des zones de dynamitage. N'utilisez pas l'ordinateur de bord en mode *Bluetooth*® dans les avions. Évitez une utilisation prolongée très près du corps.
- ▶ Le nom de marque *Bluetooth*® et le logo associé sont des marques déposées de la Bluetooth SIG, Inc. Toute utilisation de cette marque/de ce logo par la société Robert Bosch GmbH, Bosch eBike Systems s'effectue sous licence.

- ▶ **L'ordinateur de bord est doté d'une interface radio. Observez les restrictions d'utilisation locales en vigueur, par ex. dans les avions ou les hôpitaux.**
- ▶ **N'entrez aucune information et n'effectuez aucune sélection en roulant.** Toute interaction avec l'écran pendant la conduite peut provoquer des accidents graves voire mortels. Vous devez vous concentrer pleinement sur la route et sur la circulation routière et respecter le code de la route à tout instant.
- ▶ **La consultation d'autres applications mobiles, la lecture de messages pop-up/d'autres contenus ou le fait d'utiliser votre téléphone portable pendant que vous roulez risquent de détourner votre attention. Tout détournement de votre attention compromet sérieusement la sécurité et peut provoquer des accidents graves voire mortels. Pour exclure tout détournement d'attention et pouvoir rester pleinement concentré sur la conduite, la plupart des téléphones portables intègrent un mode « Ne pas déranger ». Il est vivement conseillé d'activer le mode « Ne pas déranger » pendant la conduite d'un vélo à assistance électrique.** Pour en savoir plus, consultez la notice d'utilisation de votre appareil. Lors de la conduite de votre vélo électrique, vous êtes tenu de tenir compte des conditions de circulation et de respecter à tout moment le Code de la route et les règles de sécurité routière.
- ▶ **N'activez pas l'assistance à la poussée pendant que vous roulez.** N'utilisez l'assistance à la poussée que pour pousser votre vélo électrique.
- ▶ Veuillez noter que certaines lois nationales ou locales peuvent exiger que les vélos électriques de classe III soient équipés d'un indicateur de vitesse en état de marche qui affiche la vitesse en kilomètres par heure. Avant toute mise en fonctionnement ou utilisation du produit, les cyclistes doivent connaître et observer toutes les règles et réglementations applicables relatives au fonctionnement ou

à l'utilisation des vélos de classe III déterminées par la juridiction concernée.

Consignes de sécurité pour les piles boutons

- ▶ **AVERTISSEMENT! Assurez-vous que la pile bouton est hors de portée des enfants.** Les piles boutons sont dangereuses.
- ▶ **Les piles boutons ne doivent en aucun cas être avalées ou introduites dans d'autres orifices corporels. Si vous suspectez qu'une pile bouton a été avalée ou introduite dans un autre orifice corporel (nez, oreille), consultez immédiatement un médecin.** L'ingestion de la pile bouton peut entraîner de graves brûlures internes et la mort dans les deux heures qui suivent.
- ▶ **Lors du remplacement de la pile bouton, assurez-vous de remplacer la pile bouton de manière appropriée.** Il y a risque d'explosion.
- ▶ **N'utilisez que les piles boutons mentionnées dans ce mode d'emploi.** N'utilisez aucune autre pile bouton ou source d'énergie.
- ▶ **N'essayez pas de recharger la pile bouton ni de court-circuiter la pile bouton.** La pile bouton peut fuir, exploser, prendre feu et blesser l'entourage.
- ▶ **Retirez et éliminez les piles boutons conformément à la réglementation.** Les piles boutons déchargées peuvent fuir et blesser des personnes ou endommager le produit.
- ▶ **Ne surchauffez pas la pile bouton et ne la jetez pas au feu.** La pile bouton peut fuir, exploser, prendre feu et blesser l'entourage.
- ▶ **N'endommagez pas la pile bouton et ne la démontez pas.** La pile bouton peut fuir, exploser, prendre feu et blesser l'entourage.
- ▶ **Ne mettez pas une pile bouton endommagée en contact avec de l'eau.** Une fuite de lithium peut générer une production d'hydrogène avec l'eau et provoquer un incendie, une explosion ou blesser l'entourage.

REMARQUE : Cet appareil est conforme à la partie 15 du règlement de la FCC. L'utilisation est autorisée sous réserve des deux conditions suivantes :

1. L'appareil ne doit pas produire de brouillage, et
2. l'utilisateur de l'appareil doit accepter tout brouillage radioélectrique subi, même si le brouillage est susceptible d'en compromettre le fonctionnement.

REMARQUE : Tous les changements et toutes les modifications apportés à cet équipement qui ne sont pas approuvés de façon explicite par Robert Bosch GmbH risquent d'annuler l'autorisation FCC d'utilisation de cet équipement.

REMARQUE : Cet équipement a été testé et déclaré conforme aux limites applicables aux appareils numériques de classe B, selon la section 15 de la réglementation FCC. Ces limites sont destinées à assurer une protection raisonnable contre les interférences nuisibles dans une installation résidentielle. Cet équipement génère, utilise et peut émettre de l'énergie radiofréquence qui, en cas d'installation et d'utilisation non conforme aux instructions, peut provoquer des interférences susceptibles de perturber les communications radio. Toutefois, rien ne garantit l'absence d'interférences dans une installation particulière. Si cet appareil produit des interférences perturbant la réception des programmes radio ou télévision (peut être mis en évidence en éteignant et rallumant l'appareil), il est conseillé à l'utilisateur d'essayer de réduire ces interférences en prenant l'une ou plusieurs des mesures suivantes :

- Modifier l'orientation ou l'emplacement de l'antenne réceptrice.
- Éloigner l'appareil du récepteur.
- Connecter l'appareil à une prise différente de celle dans laquelle est branché le récepteur.
- Demander conseil au fournisseur ou à un technicien spécialisé en radio/télévision.

Information sur l'exposition aux rayonnements radiofréquence : La puissance rayonnée par cet appareil est très inférieure aux limites d'exposition aux ondes radio définies par la FCC. Néanmoins, l'appa-

reil doit être utilisé de façon à minimiser la possibilité de contact humain avec l'antenne en fonctionnement normal.

Cet équipement respecte les limites d'exposition aux rayonnements définies par FCC pour un environnement non contrôlé. Cet équipement doit être installé et utilisé en maintenant une distance minimale de 20 cm entre la source de rayonnement et votre corps. Cet émetteur ne doit pas être placé à proximité d'une autre antenne ou d'un autre émetteur ou être utilisé en combinaison avec n'importe quelle autre antenne ou émetteur.

Remarques ISDE (Canada)

Cet appareil contient un/des émetteur(s)/récepteur(s) exempt(s) de licence conforme(s) aux CNR d'Innovation, Sciences et Développement économique Canada applicables aux équipements exempts de licence. L'utilisation est autorisée sous réserve des deux conditions suivantes :

1. l'appareil ne doit pas produire de brouillage, et
2. l'appareil doit accepter tout brouillage radioélectrique subi, même si le brouillage est susceptible d'en compromettre le fonctionnement.

Cet équipement respecte les limites d'exposition aux rayonnements définies par le Canada pour un environnement non contrôlé. Cet équipement doit être installé et utilisé en maintenant une distance minimale de 20 cm entre la source de rayonnement et votre corps. Cet émetteur ne doit pas être placé à proximité d'une autre antenne ou d'un autre émetteur ou être utilisé en combinaison avec n'importe quelle autre antenne ou émetteur.

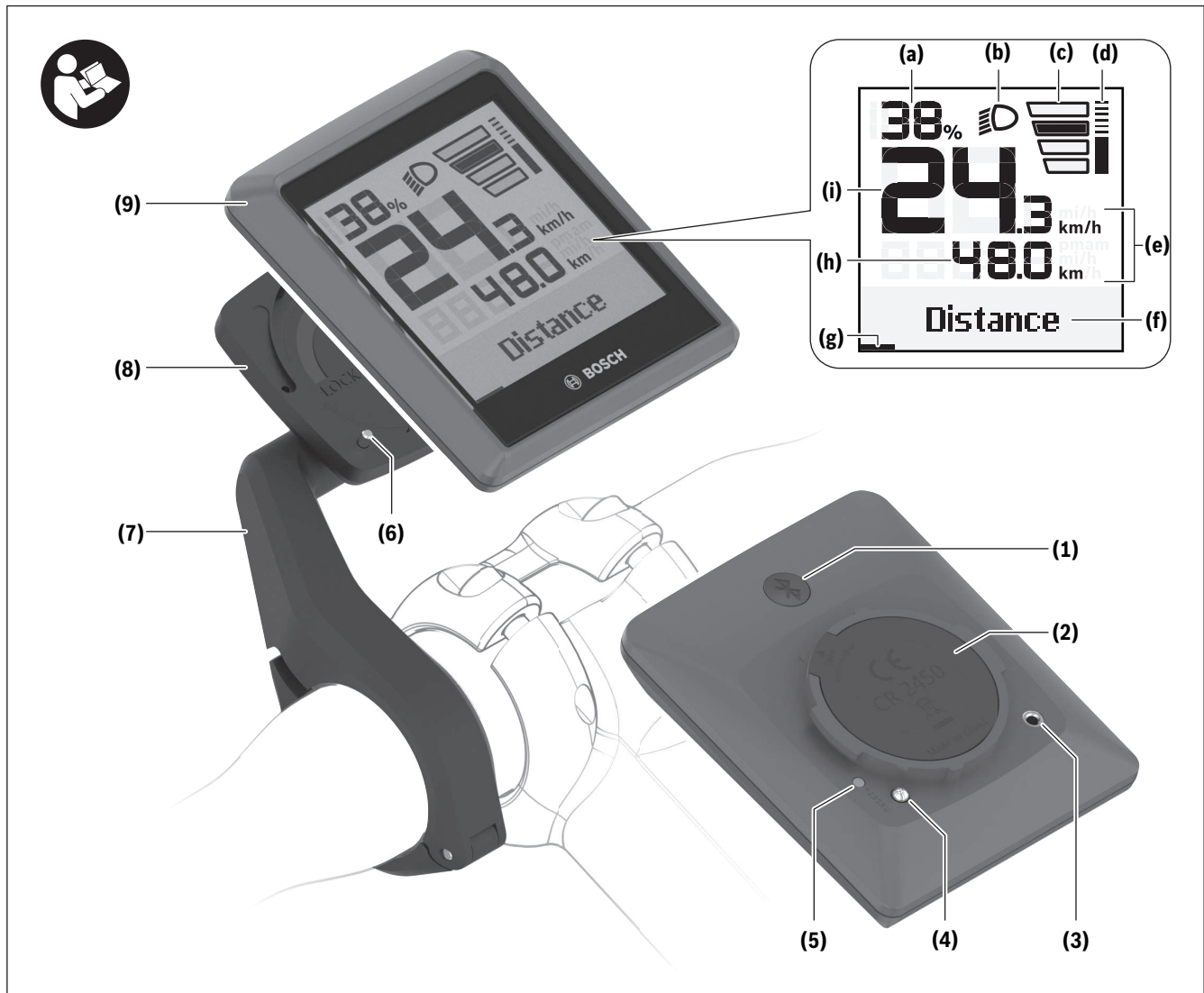
Informations sur les certifications : Pour afficher l'ID FCC et l'ID IC, appuyez sur le bouton *Bluetooth*® jusqu'à ce que **<Certifications>** apparaisse à l'écran. Relâchez alors le bouton *Bluetooth*® : l'ID FCC s'affiche. Un nouvel appui bref du bouton *Bluetooth*® fait apparaître l'ID IC.

Remarque relative à la protection des données

Lors du raccordement du VAE au **Bosch Diagnostic-Tool 3** ou du remplacement de composants du système eBike, des informations techniques sur votre VAE (p. ex. fabricant, modèle, ID du vélo, données de configuration) et sur son utilisation (p. ex. durée de roulage totale, consommation d'énergie, température) sont transmises à Bosch eBike Systems (Robert Bosch GmbH) pour pouvoir traiter votre demande (demande de service notamment) et à des fins d'amélioration du produit. Pour en savoir plus sur le traitement des données, rendez-vous sur www.bosch-ebike.com/privacy-full.

Description des prestations et du produit

Caractéristiques du produit Intuvia 100



- | | |
|--|--|
| (1) Touche <i>Bluetooth</i> [®] | (9) Ordinateur de bord |
| (2) Couvercle du compartiment à pile | (10) Compartiment à pile |
| (3) Emplacement de la vis de blocage | (11) Vis de fixation du support |
| (4) Contact de l'ordinateur de bord | (12) Tournevis plat ^{a)} |
| (5) Bouton de réinitialisation | (13) Pile bouton (type CR2450) |
| (6) Vis de blocage de l'ordinateur de bord | (14) Caoutchouc d'étanchéité |
| (7) Support de fixation de l'ordinateur de bord | a) pas fourni |
| (8) Réceptacle ordinateur de bord | |

Affichages sur l'ordinateur de bord

- (a) Indicateur de niveau de charge de la batterie du VAE
- (b) Affichage éclairage du vélo
- (c) Niveau d'assistance
- (d) Affichage assistance de la Drive Unit
- (e) Affichage unité
- (f) Affichage de texte
- (g) Barre d'orientation
- (h) Affichage de valeurs numériques
- (i) Compteur de vitesse

Utilisation conforme

L'ordinateur de bord **Intuvia 100** est conçu pour l'affichage des données de parcours sur un VAE de la génération **the smart system (le système intelligent)**. Pour pouvoir utiliser toutes les fonctions du VAE et de l'ordinateur de bord **Intuvia 100**, vous avez besoin d'un smartphone compatible équipé de l'application mobile **eBike Flow** (disponible dans l'App Store ou sur Google Play), par exemple pour **<Réinit.trajet>**.

Caractéristiques techniques

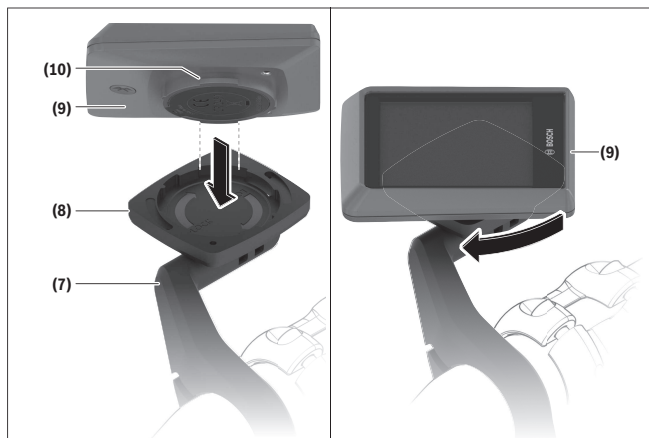
Ordinateur de bord	Intuvia 100	
Code produit		BHU3200
Températures de fonctionnement ^{A)}	°F	23 ... 104
Piles		1 × CR2450
Températures de stockage	°F	50 ... 104
Indice de protection		IP55
Poids (approx.)	lb	0,14
Bluetooth® Low Energy 5.0		
– Fréquence	MHz	2 400–2 480
– Puissance d'émission	mW	≤ 1

A) Hors de cette plage de températures, l'écran est exposé à des dysfonctionnements.

Vous trouverez les informations de licence du produit à l'adresse Internet suivante : www.bosch-ebike.com/licences

Montage

Mise en place et retrait de l'ordinateur de bord

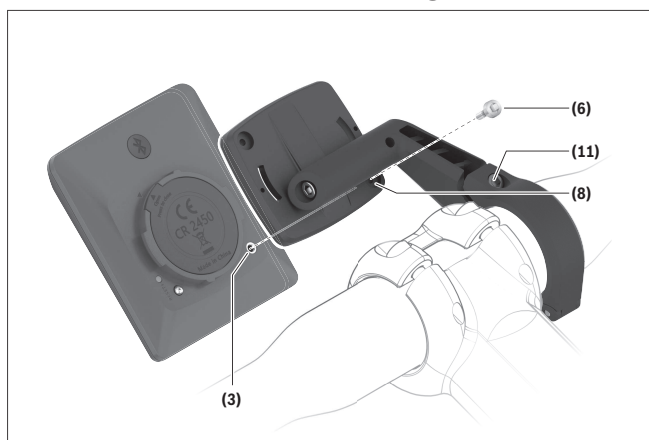


Pour **insérer** l'ordinateur de bord (9), logez les ergots du compartiment de pile (10) dans le réceptacle (8) et exercez une légère pression vers le bas sur l'ordinateur de bord. Pour verrouiller l'ordinateur de bord, tournez-le dans le sens des aiguilles d'une montre jusqu'à ce qu'il s'enclenche.

Pour **retirer** l'ordinateur de bord (9), tournez-le dans le sens inverse des aiguilles d'une montre et retirez-le du réceptacle (8).

► **Retirez l'ordinateur de bord lorsque vous garez votre vélo électrique.**

Mise en place la vis de blocage



Il est également possible de bloquer l'ordinateur de bord dans son support pour qu'il ne puisse pas être

enlevé. Pour cela, l'ordinateur de bord doit se trouver dans le support. À l'aide d'une clé hexagonale, desserrez la vis de montage (11) du dispositif jusqu'à ce que le support (7) puisse être déplacé. Faites pivoter le support (7) jusqu'à ce que le dessous de l'ordinateur de bord soit accessible. Insérez la vis de blocage (6) et vissez-la à l'ordinateur de bord. Alignez correctement le support (7) avec l'ordinateur de bord et resserrez la vis de fixation (11) à l'aide d'une clé hexagonale.

Remarque : La vis de blocage n'est pas une véritable protection antivol.

Fonctionnement

Connexion de l'ordinateur de bord au VAE (appairage)

Généralement votre ordinateur de bord est déjà connecté au VAE. Si ce n'est pas le cas, procédez comme suit :

- Installez l'application mobile **eBike Flow**.
- Activez *Bluetooth*® sur votre smartphone et ouvrez l'application **eBike Flow**.
- Appuyez brièvement sur la touche *Bluetooth*®.
- L'ID de l'appareil s'affiche sur l'ordinateur de bord.
- Dans l'application **eBike Flow**, sélectionnez l'appareil ayant la même ID.

Vous trouverez de plus amples informations sur le lien suivant :

www.bosch-ebike.com/de/help-center/intuvia-100.



L'application **eBike Flow** peut être téléchargée gratuitement dans l'App Store d'Apple ou le Google Play Store.

Pour télécharger l'application **eBike Flow**, scannez le code avec votre smartphone.

Mise en marche/arrêt de l'ordinateur de bord

Allumez le VAE.

Pour **activer** l'ordinateur de bord, il faut que celui-ci se trouve dans son support. Le contact de l'ordinateur de bord **(4)** est alors automatiquement actionné. Allumez la commande déportée et déplacez légèrement le vélo.

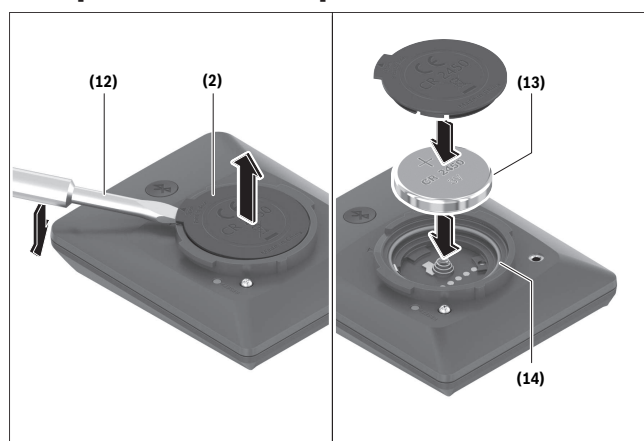
Pour **éteindre** l'ordinateur de bord, vous avez plusieurs possibilités :

- Appuyez sur la touche Marche/Arrêt de la commande déportée pour éteindre le VAE. L'ordinateur de bord est alors aussi désactivé.
- Retirez l'ordinateur de bord de son support. L'ordinateur de bord s'éteint automatiquement au bout de 60 s.

Alimentation en énergie de l'ordinateur de bord

L'ordinateur de bord est alimenté en énergie par la pile bouton CR2450.

Remplacement de la pile bouton



Lorsque la pile bouton de l'ordinateur de bord est presque vide, un message correspondant apparaît sur l'ordinateur de bord. Ouvrez le couvercle du compartiment à pile **(2)** à l'aide d'un tournevis plat **(12)**, retirez la pile bouton usagée et insérez une pile neuve de type CR2450. Vous pouvez vous procurer les piles boutons recommandées par Bosch auprès de votre revendeur de vélos.

Lors de l'insertion de la pile bouton, veillez à ce que le côté gravé (côté +) soit orienté vers le haut et à ce que le caoutchouc d'étanchéité **(14)** soit correctement positionné.

Fermez le compartiment à pile et placez l'ordinateur de bord sur son support.

Indicateur de niveau de charge de la batterie du vélo électrique

L'ordinateur de bord indique le niveau de charge de la batterie du vélo électrique sous forme de pourcentage. Un message s'affiche une fois lorsque le niveau de charge devient inférieur à 30 % puis 10 %. Le message peut être acquitté ou disparaît automatiquement au bout de 5 s.

Fonctionnement

La touche *Bluetooth*® (1) a différentes fonctions : Si l'ordinateur de bord était connecté à une commande déportée et qu'il a été retiré de son support, les affichages peuvent être modifiés dans les 60 s qui suivent. Pour cela, appuyez brièvement sur la touche *Bluetooth*® (1). L'ordinateur de bord passe ensuite en mode veille.

Remarque : Si vous savez que vous n'allez pas utiliser votre vélo électrique pendant plusieurs semaines, retirez l'ordinateur de bord de son support et placez l'ordinateur de bord dans le mode stockage. Appuyez pour cela sur la touche *Bluetooth*® (1) pendant 8 à 11 s.

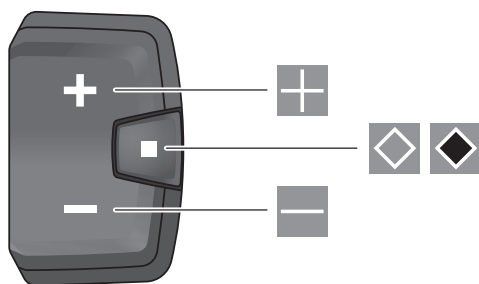
Lorsque vous placez l'ordinateur de bord dans son support et bougez le vélo, le mode stockage est automatiquement désactivé.

Le bouton Reset (5) permet de réinitialiser l'ordinateur de bord aux paramètres d'usine et de supprimer toutes les connexions.

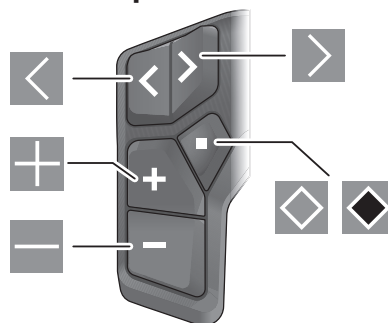
Les deux commandes déportées représentées ci-dessous sont utilisables pour piloter l'ordinateur de bord. La vue d'ensemble qui suit indique la fonction des touches de chacune des commandes déportées.

La touche de sélection remplit 2 fonctions selon la durée d'appui.

Commande déportée à 3 touches



Commande déportée à 5 touches



- ◻ Feuilleter vers la gauche (commande déportée à 5 touches)
- ◻ Feuilleter vers la droite (commande déportée à 5 touches)
- ◻ Augmenter le niveau d'assistance
- ◻ Diminuer le niveau d'assistance
- ◻ Touche de sélection (appui court)
- ◻ Touche de sélection (appui long > 1 s)

Remarque : Toutes les représentations écran et textes d'interface des pages suivantes se rapportent à la version initiale du logiciel au moment de sa mise sur le marché. Il peut arriver après une mise à jour que les représentations écran et/ou texte d'interface diffèrent quelque peu.

Remarque : en fonction des conditions d'éclairage, il existe un rétroéclairage qui ne s'active qu'en appuyant sur un bouton. La durée de l'éclairage peut être modifiée.

Affichage et configuration de l'ordinateur de bord

Affichages de vitesse et de distance

Le compteur de vitesse affiche toujours la vitesse actuelle.



L'affichage de fonctions (combinaison de textes et de valeurs numériques) regroupe les fonctions suivantes :

- **<Distance>** : kilométrage parcouru depuis la dernière réinitialisation
- **<Durée parcours>** : durée de conduite depuis la dernière réinitialisation
- **<Heure>** : heure actuelle
- **<Autonomie>** : autonomie prévisible compte tenu de la charge actuelle de la batterie si les conditions de roulage (niveau d'assistance, profil du parcours etc.) restent inchangés
- **<Moyenne vitesse>** : vitesse moyenne atteinte depuis la dernière réinitialisation
- **<Vitesse max.>** : vitesse maximale atteinte depuis la dernière réinitialisation
- **<Distance totale>** : kilométrage total parcouru avec le vélo électrique (pas réinitialisable)


Remarque : l'ordinateur de bord affiche automatiquement des recommandations de changement de vitesse pendant la conduite. Les recommandations de changement de vitesse se superposent à l'affichage de texte (**f**) de l'ordinateur de bord et peuvent être désactivés manuellement dans les paramètres de base.

Sélection de l'affichage des fonctions



Appuyez sur la touche  ou  jusqu'à ce que la fonction souhaitée s'affiche.



Appuyez plusieurs fois sur la touche de sélection  jusqu'à ce que la fonction souhaitée s'affiche.

Certains réglages ne peuvent pas être effectués sur l'ordinateur de bord, mais uniquement dans l'app **eBike Flow**, comme :


- **<Circ. de la roue>**

- **<Réinitialiser la plage>**
- **<Réinitialiser trajet autom.>**

L'app **eBike Flow** vous donne par ailleurs un aperçu des heures de fonctionnement et des composants installés.



Affichage/personnalisation de la configuration de base

Remarque : Il n'est pas possible d'accéder au menu Paramètres pendant que vous roulez.


Pour accéder au menu des réglages de base, appuyez sur le bouton de sélection  de l'unité déportée jusqu'à ce que l'affichage de texte **<Paramètres>** apparaisse.

Changer/quitter les paramètres de base



Appuyez plusieurs fois sur la touche  ou  jusqu'à ce que le réglage de base souhaité s'affiche.




Appuyez plusieurs fois sur la touche de sélection  jusqu'à ce que le réglage de base souhaité s'affiche.


Remarque : le réglage modifié est automatiquement enregistré lorsque vous quittez le réglage de base concerné.

Modifier les paramètres de base



Pour faire défiler vers le bas, appuyez brièvement sur la touche de sélection  jusqu'à ce que la valeur souhaitée s'affiche.



Pour faire défiler vers le bas, appuyez sur la touche de sélection  > 1 s jusqu'à ce que la valeur souhaitée s'affiche.

Remarque : si vous maintenez la touche correspondante enfoncée, le passage à la valeur suivante dans les réglages de base se fait automatiquement.

Les réglages de base suivants sont disponibles :


- **<Langue>** : permet de choisir la langue d'affichage dans une liste.
- **<Unités>** : permet d'afficher la vitesse et la distance en kilomètres ou en miles.

- **<Heure>** : permet de régler l'heure.
- **<Format>** : permet d'afficher l'heure au format 12 heures ou 24 heures.
- **<Recom. vitesse>** : permet d'activer / désactiver l'affichage « Recommandation de changement de vitesse ».
- **<Éclairage écran>** : permet de régler la durée du rétroéclairage.
- **<Luminosité>** : permet de régler la luminosité par pas de 5, de 5 à 100 %.
- **<Reset réglages?>** : permet de réinitialiser les réglages en appuyant longuement sur la touche de sélection.
- **<Certifications>** : FCC-ID : 2AWRC-BHU3200, IC-ID : 26294-BHU3200
- **<Retour>** : permet de quitter le menu Paramètres.


Quitter le menu Paramètres de base

Vous quittez automatiquement le menu Paramètres de base en cas d'inactivité de 60 s, de conduite du vélo électrique ou à l'aide de la fonction **<Retour>**.



Appuyez brièvement sur la touche de sélection  pour quitter le menu Réglages de base à l'aide de la fonction **<Retour>**.



Appuyez sur la touche de sélection pendant  > 1 s pour quitter le menu Réglages de base à l'aide de la fonction **<Retour>**.

Entretien et service après-vente

Nettoyage et entretien

Ne nettoyez jamais les composants avec de l'eau sous pression.

Veillez à une bonne propreté de l'écran de votre ordinateur de bord. En cas d'encrassement, la détection de la luminosité ambiante risque de ne plus fonctionner.

Pour nettoyer votre ordinateur de bord, utilisez un chiffon doux, légèrement humide. N'utilisez pas de détergent.

Faites contrôler votre VAE au moins une fois par an sur le plan technique (partie mécanique, version du logiciel, etc.).

Le concessionnaire de vélos peut en plus programmer un certain kilométrage et/ou intervalle de temps

comme échéance d'entretien. Quand le prochain entretien est arrivé à échéance, l'ordinateur de bord vous en informe à chaque mise en marche.

Pour le service après-vente ou les réparations sur votre vélo électrique, adressez-vous à un vélociste agréé.

► **Ne confiez les réparations qu'à un revendeur agréé.**

Remarque : Avant de vous rendre chez votre revendeur VAE pour effectuer une révision ou une maintenance, désactivez temporairement la fonction **<eBike Lock>** et l'**<eBike Alarm>** pour éviter toute fausse alerte.

Service après-vente et conseil utilisateurs

Pour toutes les questions concernant votre vélo électrique et ses éléments, adressez-vous à un vélociste agréé.

Vous trouverez les données de contact de vélocistes agréés sur le site internet www.bosch-ebike.com.

Transport

► **Pour transporter votre VAE à l'extérieur de votre voiture, par exemple sur une galerie de toit, retirez préalablement l'ordinateur de bord**

et la batterie (sauf si fixe) afin d'éviter qu'ils soient endommagés.

Programme de recyclage des accus



La Drive Unit, l'ordinateur de bord, la commande déportée, la batterie VAE, le capteur de vitesse, les accessoires et l'emballage doivent être rapportés à un centre de recyclage respectueux de l'environnement.

Ne jetez pas les systèmes eBike et leurs éléments constitutifs dans les ordures ménagères !



Pour recycler votre batterie Bosch, appelez le 1.800.822.8837.

Índice

Introducción	2
Acerca de las advertencias	2
Advertencias generales	2
Utilización de sus Instrucciones de servicio	3
Operación de su ordenador de a bordo Bosch.....	4
Indicaciones de seguridad.....	4
Descripción del producto y servicio	7
Montaje	9
Operación	10
Indicaciones y configuración del ordenador de a bordo	12
Mantenimiento y servicio.....	14
Mantenimiento y limpieza	14
Servicio técnico y atención al cliente	14
Transporte.....	14
Programa de reciclaje de baterías	14

Introducción

Acerca de las advertencias

Este manual contiene muchos **PELIGROS**, **ADVERTENCIAS**, y **PRECAUCIONES** sobre las consecuencias de una falta de uso, montaje, mantenimiento, almacenamiento, inspección y eliminación de una eBike equipada por Bosch de modo seguro.

- La combinación del símbolo de alerta de seguridad y la palabra **PELIGRO** indica una situación peligrosa que, si no se evita, ocasionará la muerte o lesiones graves.

- La combinación del símbolo de alerta de seguridad y la palabra **ADVERTENCIA** indica una situación peligrosa que, si no se evita, podría provocar la muerte o lesiones graves.
- La combinación del símbolo de alerta de seguridad y la palabra **PRECAUCIÓN** indica una situación peligrosa que, si no se evita, podría ocasionar lesiones leves o moderadas.

Advertencias generales



Lea íntegramente todas las indicaciones de seguridad e instrucciones. No seguir las advertencias e instrucciones siguientes puede provocar la muerte o lesiones graves.

Guarde todas las indicaciones de seguridad e instrucciones para posibles consultas futuras.

El término **Acumulador para eBike** utilizado en estas instrucciones de servicio se refiere a todos los acumuladores originales para eBike de Bosch de la generación del sistema **the smart system (el smart system)**.

- ▶ **Lea TODOS los manuales incluidos antes de montar en la bicicleta por primera vez.** Su sistema de accionamiento de Bosch incluye manuales y documentación adicionales proporcionados por el fabricante de la bicicleta y de otros componentes. No leer o desconocer la información de seguridad puede provocar la muerte o lesiones graves.

ADVERTENCIA

- ▶ **Este manual contiene información importante de seguridad, rendimiento y mantenimiento.** Léalo antes de usar su nueva bicicleta y guárdelo a modo de referencia. Puede encontrar el manual también en línea en www.bosch-ebike.com.

- ▶ **Este manual está previsto para su lectura junto con el manual de usuario aparte que venía con su bicicleta.** Antes de usar la bici por primera vez, asegúrese de leer toda la documentación facilitada, incluidas las etiquetas que lleva el producto.
- ▶ **Por su propia SEGURIDAD, sea responsable.** Si tiene dudas o no entiende algo, consúltelo con su distribuidor o con el fabricante de la bicicleta o del componente.
- ▶ **Algunos accesorios de la eBike pueden suponer un peligro de atragantamiento para los niños pequeños.** Mantenga esos accesorios alejados de los niños.

PRECAUCIÓN

- ▶ **El sistema de accionamiento de Bosch incrementa el peso de su bicicleta, que puede que no esté acostumbrado a levantar.** Evite las lesiones; utilice técnicas de elevación adecuadas.

Utilización de sus Instrucciones de servicio

Además de las funciones aquí representadas, puede ser que se introduzcan en cualquier momento modificaciones de software para la eliminación de errores y modificaciones de funciones.

Gráficos

La bicicleta que se muestra en este manual puede diferir ligeramente de la suya; no obstante, las similitudes son suficientes para ayudarle a entender nuestras instrucciones.

Los lados DERECHO e IZQUIERDO se indican mirando en el sentido que la bicicleta tendrá al circular hacia delante. Si ve una línea discontinua (-----), el elemento al que se refiere está oculto a la vista.

Operación de su ordenador de a bordo Bosch

Indicaciones de seguridad



Lea íntegramente estas indicaciones de seguridad e instrucciones. Las faltas de observación de las indicaciones de seguridad y de las instrucciones pueden causar descargas eléctricas, incendios y/o lesiones graves.

Guarde todas las indicaciones de seguridad e instrucciones para posibles consultas futuras.

El término **Acumulador para eBike** utilizado en estas instrucciones de servicio se refiere a todos los acumuladores originales para eBike de Bosch de la generación del sistema **the smart system (el smart system)**.

El término **Unidad de accionamiento** utilizado en estas instrucciones de servicio se refiere a todas las unidades de accionamiento de Bosch de la generación del sistema **the smart system (el smart system)**.

- ▶ **Lea y siga todas las indicaciones de seguridad e instrucciones de todos los manuales de uso del sistema eBike, así como las instrucciones de uso de su eBike.**
- ▶ **¡No intente fijar el ordenador de a bordo o la unidad de mando durante la marcha!**
- ▶ **No permita que las indicaciones del ordenador de a bordo le distraigan.** Si no centra su atención exclusivamente en el tráfico, se arriesga a verse implicado en un accidente. Si desea introducir en el ordenador de a bordo datos que van más allá del cambio de nivel de asistencia, deténgase para efectuar dichas entradas.
- ▶ **No manipule su teléfono inteligente mientras conduce.** Si no centra su atención exclusivamente en el tráfico, se arriesga a verse implicado en un accidente. Deténgase para ello y sólo entonces introduzca los datos correspondientes.
- ▶ **Ajuste la luminosidad del ordenador de a bordo de modo que pueda percibir adecuadamente las informaciones importantes, como la velocidad o los símbolos de advertencia.** Una luminosidad del ordenador de a bordo incorrectamente ajustada puede llevar a situaciones peligrosas.
- ▶ **No intente abrir el ordenador de a bordo.** El ordenador de a bordo se puede destruir al abrirlo y así se pierde el derecho de garantía.
- ▶ **No utilice el ordenador de a bordo como asidero.** Si se levanta la eBike por el ordenador de a bordo, este puede dañarse irreparablemente.
- ▶ **No coloque la eBike boca abajo sobre el manillar y el sillín cuando el ordenador de a bordo o su soporte sobresalga del manillar.** El ordenador de a bordo o el soporte pueden dañarse irreparablemente. También retire el ordenador de a bordo antes de sujetar la eBike en un soporte de montaje para evitar que el ordenador de a bordo se caiga o se dañe.
- ▶ **¡Cuidado!** El uso del ordenador de a bordo con *Bluetooth*[®] y/o WiFi puede provocar anomalías en otros aparatos y equipos, en aviones y en aparatos médicos (p.ej. marcapasos, audífonos, etc.). Tampoco puede descartarse por completo el riesgo de daños en personas y animales que se encuentren en un perímetro cercano. No utilice el ordenador de a bordo con *Bluetooth*[®] cerca de aparatos médicos, gasolineras, instalaciones químicas, zonas con riesgo de explosión ni en zonas con atmósfera potencialmente explosiva. No utilice el ordenador de a bordo con *Bluetooth*[®] en aviones. Evite el uso prolongado de esta herramienta en contacto directo con el cuerpo.
- ▶ La marca denominativa *Bluetooth*[®] como también los logotipos son marcas registradas y propiedad de Bluetooth SIG, Inc. Cualquier uso de esta marca denominativa/figurativa por parte de Robert Bosch GmbH, Bosch eBike Systems se realiza bajo licencia.

- ▶ **El ordenador de a bordo está equipado con una interfaz inalámbrica. Observar las limitaciones locales de servicio, p. ej. en aviones o hospitales.**
- ▶ **No introduzca información o haga selecciones durante la circulación.** La interacción con la pantalla mientras se conduce puede provocar accidentes que causen lesiones graves o la muerte. Debe observar las condiciones de la carretera y el tráfico, y cumplir con las leyes de tráfico en todo momento.
- ▶ **El acceso a otras aplicaciones, la lectura de mensajes emergentes u otros contenidos, o el uso del dispositivo móvil mientras se utiliza una eBike pueden causar distracciones. La conducción distraída es un grave problema de seguridad y puede provocar accidentes que causen lesiones graves o la muerte. Para evitar la distracción al conducir, la mayoría de los dispositivos móviles vienen equipados con un modo "No molestar". El modo "No molestar" debe ser usado mientras se maneja una eBike.** Por favor, consulte las instrucciones específicas de su dispositivo para obtener más información. Usted, como conductor de la eBike, es totalmente responsable de garantizar que en todo momento preste atención a las condiciones de la carretera y cumpla con las leyes de tráfico.
- ▶ **No active la función de asistencia de empuje mientras se conduce la bicicleta.** Sólo use la función de asistencia de empuje al empujar la eBike.
- ▶ Por favor, tenga en cuenta que algunas leyes estatales o locales pueden exigir que las bicicletas eléctricas (eBikes) de clase III estén equipadas con un velocímetro que indique la velocidad en millas por hora. Los ciclistas deben conocer y seguir todas las normas y reglamentos aplicables relacionados con el funcionamiento o el uso de las eBikes de clase III en cualquier jurisdicción antes de operar o utilizar este producto.

Indicaciones de seguridad para pilas de botón

- ▶ **¡ADVERTENCIA! Asegúrese de que la pila de botón no llegue a manos de los niños.** Las pilas de botón son peligrosas.
- ▶ **Las pilas de botón nunca deben tragarse ni introducirse en otros orificios corporales. Si existe la sospecha de que la pila de botón ha sido ingerida o introducida en otro orificio corporal, consulte inmediatamente a un médico.** La ingestión de una pila de botón puede provocar graves quemaduras internas y la muerte en 2 horas.
- ▶ **Cuando cambie la pila de botón, asegúrese de sustituirla correctamente.** Existe riesgo de explosión.
- ▶ **Utilice exclusivamente las pilas de botón especificadas en estas instrucciones de uso.** No utilice otras pilas de botón u otro suministro de energía.
- ▶ **No intente recargar la pila de botón y no la cortocircuite.** La pila de botón puede tener fugas, explotar, quemarse y herir a las personas.
- ▶ **Retire y elimine correctamente las pilas de botón desgastadas.** Las pilas de botón descargadas pueden tener fugas y, por lo tanto, herir a las personas o dañar el producto.
- ▶ **No sobrecaliente la pila de botón ni la arroje al fuego.** La pila de botón puede tener fugas, explotar, quemarse y herir a las personas.
- ▶ **No dañe la pila de botón y no la desmonte.** La pila de botón puede tener fugas, explotar, quemarse y herir a las personas.
- ▶ **No ponga una pila de botón dañada en contacto con el agua.** Las fugas de litio pueden generar hidrógeno con el agua y, por tanto, provocar un incendio, una explosión o lesiones a las personas.

INDICACIÓN: Este dispositivo cumple con la Parte 15 de las Normas de la FCC. La operación está sujeta a las siguientes dos condiciones:

1. Este dispositivo no debe causar interferencias dañinas, y

2. este dispositivo debe aceptar cualquier interferencia que se reciba, incluida la interferencia que pueda causar un funcionamiento no deseado.

INDICACIÓN: Los cambios o modificaciones realizados en este equipo no aprobados expresamente por Robert Bosch GmbH pueden anular la autorización de la FCC para operar este equipo.

NOTA: Este equipo ha sido probado y cumple con los límites para un dispositivo digital de Clase B, de conformidad con la Parte 15 de las Normas de la FCC. Estos límites están diseñados para proporcionar una protección razonable contra interferencias perjudiciales en una instalación residencial. Este equipo genera, utiliza y puede emitir energía de radiofrecuencia y, si no se instala y utiliza de acuerdo con las instrucciones, puede causar interferencias perjudiciales en las comunicaciones de radio. Sin embargo, no existe garantía de que no se produzcan interferencias en una instalación en particular. Si este equipo causa interferencias perjudiciales en la recepción de radio o televisión, lo cual puede determinarse encendiendo y apagando el equipo, se recomienda al usuario que intente corregir la interferencia mediante una o más de una de las siguientes medidas:

- Reorientar o reubicar la antena receptora.
- Aumente la separación entre el equipo y el receptor.
- Conecte el equipo a una toma de corriente en un circuito diferente al que está conectado el receptor.
- Diríjase al distribuidor o a un técnico de radio/TV experimentado para obtener ayuda.

Información de exposición a la radiación de radiofrecuencia: La potencia de salida irradiada del dispositivo está muy por debajo de los límites de exposición de radiofrecuencia de la FCC. Sin embargo, el dispositivo debe utilizarse de tal manera que se minimice la posibilidad de contacto humano durante el funcionamiento normal.

Este equipo cumple con los límites de exposición a la radiación de FCC establecidos para un ambiente no controlado. Este equipo debe ser instalado y operado

con una distancia mínima de 20 cm entre el emisor y su cuerpo. Este transmisor no debe estar ubicado u operando en conjunto con ninguna otra antena o transmisor.

Nota de ISED (Canadá)

Este dispositivo contiene un(varios) transmisor(es)/receptor(es) exento(s) de licencia que cumple(n) con RSS(s) exento(s) de licencia del Ministerio de Innovación, Ciencia y Desarrollo Económico de Canadá. La utilización está sujeta a las dos condiciones siguientes:

1. este dispositivo no debe causar interferencias perjudiciales, y
2. este dispositivo debe admitir cualquier interferencia, incluyendo las interferencias que puedan causar un funcionamiento no deseado del dispositivo.

Este equipo cumple con los límites de exposición a la radiación del Canadá establecidos para un ambiente no controlado. Este equipo debe ser instalado y operado con una distancia mínima de 20 cm entre el emisor y su cuerpo. Este transmisor no debe estar ubicado u operando en conjunto con ninguna otra antena o transmisor.

Información de certificación: para mostrar los códigos FCC ID y IC ID, mantenga pulsado el botón *Bluetooth*® hasta que **<Certificación>** aparezca en la pantalla. Al soltar el botón *Bluetooth*®, aparece el FCC ID. Con otra pulsación breve del botón *Bluetooth*® se muestra el IC ID.

Indicación de protección de datos

Al conectar la eBike a **Bosch DiagnosticTool 3** o sustituir componentes de la eBike, se transmite a Bosch eBike Systems (Robert Bosch GmbH) información técnica sobre su eBike (p.ej., fabricante, modelo, ID de la bicicleta, datos de configuración), así como sobre el uso de la eBike (p.ej., tiempo total de uso, consumo de energía, temperatura) para tramitar su solicitud, en caso de servicio técnico y con fines de mejora del producto. Más información sobre el procesamiento de datos se encuentran en www.bosch-ebike.com/privacy-full.

Descripción del producto y servicio

Características del producto Intuvia 100



- | | |
|---|---|
| (1) Tecla <i>Bluetooth</i> [®] | (9) Ordenador de a bordo |
| (2) Tapa del compartimento de las pilas | (10) Compartimento de las pilas |
| (3) Alojamiento del tornillo de bloqueo | (11) Tornillo de fijación del soporte |
| (4) Contacto del ordenador de a bordo | (12) Destornillador para tornillos ranurados ^{a)} |
| (5) Tecla de reposición | (13) Pila (pila en forma de botón tipo CR2450) |
| (6) Tornillo de bloqueo del ordenador de a bordo | (14) Goma estanqueizante |
| (7) Soporte del ordenador de a bordo | a) No contenido en el volumen de suministro |
| (8) Alojamiento del ordenador de a bordo | |

Elementos de indicación del ordenador de a bordo

- (a)** Indicador del estado de carga de la batería de la eBike
- (b)** Indicador de la iluminación de la bicicleta
- (c)** Indicador de nivel de asistencia
- (d)** Indicador de asistencia de la unidad de accionamiento
- (e)** Indicador de unidad
- (f)** Indicador de textos
- (g)** Barra de orientación
- (h)** Indicador numérico
- (i)** Velocímetro

Utilización reglamentaria

El ordenador de a bordo **Intuvia 100** se ha previsto para la indicación de datos de marcha en una eBike de la generación del sistema **the smart system (el smart system)**.

Para poder utilizar la eBike y el ordenador de a bordo **Intuvia 100** en toda su plenitud, se necesita un smartphone compatible con la aplicación **eBike Flow** (que puede adquirirse en la App Store de Apple o en la Play Store de Google), p.ej. para **<Rstab traycto>**.

Datos técnicos

Ordenador de a bordo	Intuvia 100	
Código de producto		BHU3200
Temperatura de servicio ^{A)}	°F	23 ... 104
Baterías		1 × CR2450
Temperatura de almacenamiento	°F	50 ... 104
Grado de protección		IP55
Peso, aprox.	lb	0,14
<i>Bluetooth®</i> Low Energy 5.0		
– Frecuencia	MHz	2400–2480
– Potencia de emisión	mW	≤ 1

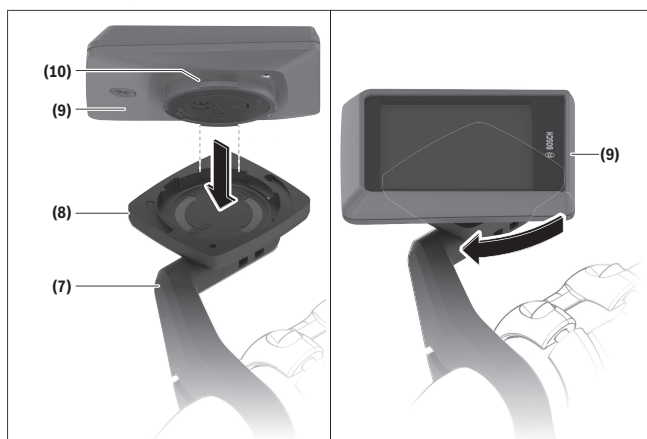
A) Fuera de este margen de temperatura, pueden producirse fallos de funcionamiento en el indicador.

Las informaciones sobre la licencia del producto están disponibles en la siguiente dirección de internet:

www.bosch-ebike.com/licences

Montaje

Colocar y retirar el ordenador de a bordo

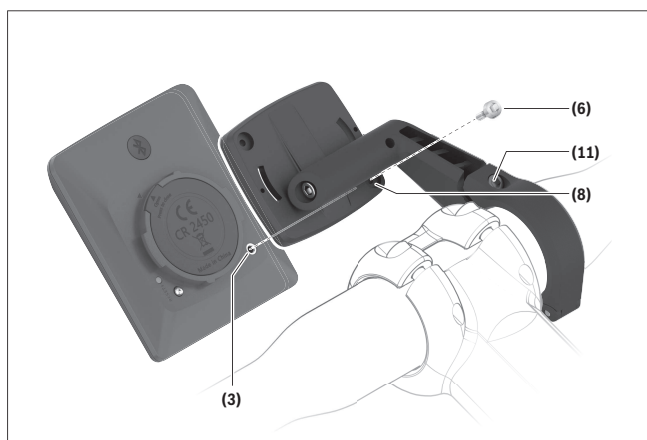


Para **colocar** el ordenador de a bordo **(9)**, introduzca las lengüetas del compartimento de las pilas **(10)** en el alojamiento **(8)** del soporte y presione ligeramente el ordenador de a bordo hacia abajo. Para bloquearlo, gire el ordenador de a bordo en el sentido de las agujas del reloj hasta que quede encastrado.

Para **quitar** el ordenador de a bordo **(9)**, gírelo en sentido contrario a las agujas del reloj y retire el ordenador de a bordo del alojamiento **(8)**.

► **Retire el ordenador de a bordo cuando estacione la eBike.**

Colocar el tornillo de bloqueo



El ordenador de a bordo puede asegurarse en el soporte para impedir que pueda extraerse. Para ello, el ordenador de a bordo debe encontrarse en el sopor-

te. Suelte el tornillo de fijación **(11)** de la abrazadera con una llave macho hexagonal, hasta que se pueda mover el soporte **(7)**. Gire el soporte **(7)**, hasta que quede accesible el lado inferior del ordenador de a bordo. Coloque el tornillo de bloqueo **(6)** y atorníllelo con el ordenador de a bordo. Alinee correctamente el soporte **(7)** con el ordenador de a bordo y vuelva a apretar el tornillo de fijación **(11)** con una llave macho hexagonal.

Indicación: El tornillo de bloqueo no es una protección antirrobo.

Operación

Conexión del ordenador de a bordo con la eBike (emparejamiento)

Por regla general, su ordenador de a bordo ya está conectado con la eBike. Si éste no es el caso, proceda como sigue:

- Instale la aplicación **eBike Flow**.
- Active *Bluetooth*® en su teléfono inteligente y abra la aplicación **eBike Flow**.
- Presione brevemente la tecla *Bluetooth*®.
- En el ordenador de a bordo aparece el identificador del dispositivo.
- En la aplicación **eBike Flow**, seleccione el aparato deseado con el mismo identificador.

Encontrará más información en el siguiente enlace: www.bosch-ebike.com/de/help-center/intuvia-100.



Dependiendo del sistema operativo del teléfono inteligente, la aplicación **eBike Flow** puede descargarse gratuitamente desde Apple App Store o Google Play

Store.

Escanee el código con su smartphone para descargar la aplicación **eBike Flow**.

Conectar/desconectar el ordenador de a bordo

Encienda la eBike.

Para **encender** el ordenador de a bordo, el soporte debe estar insertado. El contacto del ordenador de a bordo **(4)** se pulsa automáticamente.

Conecte el cuadro de mandos y mueva fácilmente la eBike.

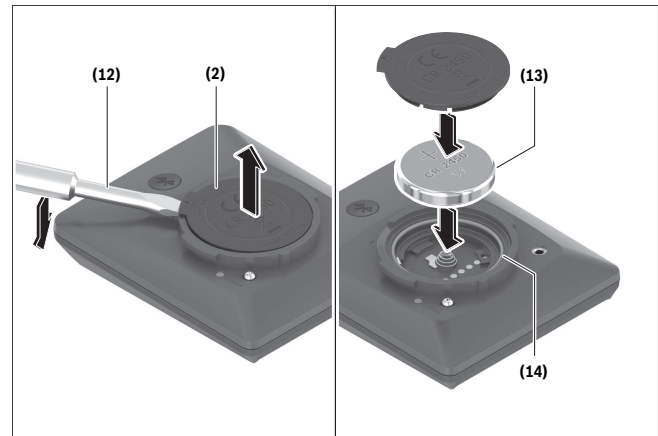
Para **desconectar** el ordenador de a bordo tiene las siguientes posibilidades:

- Presione la tecla de conexión/desconexión del cuadro de mando para desconectar la eBike.
El ordenador de a bordo también se desconecta.
- Retire el ordenador de a bordo del soporte.
El ordenador de a bordo se desconecta automáticamente después de 60 s.

Suministro de corriente del ordenador de a bordo

El ordenador de a bordo se alimenta de la pila en forma de botón CR2450.

Cambiar la pila de botón



Si la pila de botón del ordenador de a bordo está casi agotada, se le indicará un mensaje correspondiente en el ordenador de a bordo. Abra la tapa del compartimento de las pilas **(2)** con un destornillador plano **(12)**, retire la pila de botón usada e introduzca una nueva pila de botón CR2450. Puede adquirir las pilas de botón recomendadas por Bosch en su establecimiento especializado.

Asegúrese al insertar la pila de botón de que esté insertada con la inscripción hacia arriba y de que la goma de junta **(14)** está correctamente colocada.

Cierre el compartimento de las pilas y coloque el ordenador de a bordo en el soporte .

Indicador del estado de carga de la batería de la eBike

El ordenador de a bordo muestra el estado de carga de la batería de la eBike en tanto por ciento. Si el estado de carga desciende por debajo del 30 % o del 10 %, se visualiza una vez una indicación. La indicación puede confirmarse o la visualización se apaga automáticamente después de 5 s.

Manejo

La tecla *Bluetooth*® (1) dispone de varias funciones: si el ordenador de a bordo estaba conectado a un cuadro de mando y se ha retirado del soporte, las indicaciones pueden cambiarse durante los 60 s siguientes. Para ello, presione brevemente la tecla *Bluetooth*® (1). A continuación, el ordenador de a bordo entra en modo de reposo.

Indicación: Si no va a utilizar la eBike durante varias semanas, retire el ordenador de a bordo del soporte y déjelo en modo de almacenamiento. Para ello, presione la tecla *Bluetooth*® (1) 8–11 s.

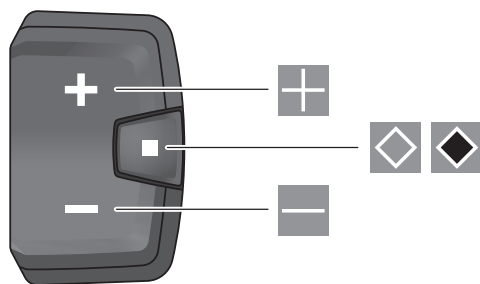
Cuando vuelva a insertar el ordenador de a bordo en el soporte y mueva la eBike, el modo de almacenamiento se desactivará automáticamente.

La tecla de reposición (5) sirve para reponer la configuración de fábrica del ordenador de a bordo y borrar todas las conexiones.

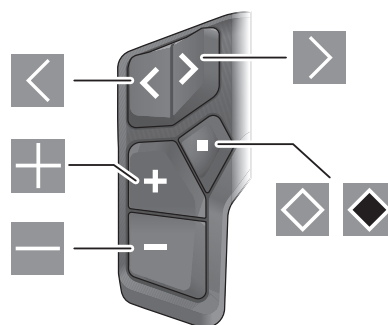
Es posible manejar el ordenador de a bordo a través de uno de los cuadros de mandos mostrados. Es posible consultar las funciones de las teclas de los cuadros de mandos en la siguiente vista general.

La tecla de selección tiene 2 funciones según la duración de la pulsación de la tecla.

Cuadro de mandos de 3 teclas



Cuadro de mandos de 5 teclas



- ❑ desplazamiento hacia la izquierda (cuadro de mandos de 5 teclas)
- ❑ desplazamiento hacia la derecha (cuadro de mandos de 5 teclas)
- ⊞ Aumentar el nivel de asistencia
- ⊞ Reducir el nivel de asistencia
- ⊞ Tecla de selección (pulsación corta)
- ⊞ Tecla de selección (pulsación larga > 1 s)

Indicación: Todas las representaciones y los textos de las páginas siguientes corresponden al estado de lanzamiento del software. Tras una actualización de software puede ser, que se modifiquen ligeramente las representaciones de la superficie y/o los textos de la superficie.

Indicación: Dependiendo de las condiciones de iluminación, existe una luz de fondo que sólo se activa por la pulsación de una tecla. La duración de la iluminación se puede ajustar.

Indicaciones y configuración del ordenador de a bordo

Indicadores de velocidad y distancia

En el indicador del tacómetro se indica siempre la velocidad actual.

En el indicador de funcionamiento – combinación de indicación de textos e indicación de valores – puede seleccionar las siguientes funciones:

- **<Recorrido>**: distancia recorrida desde la última reposición
- **<Tiempo de marcha>**: tiempo de marcha desde la última reposición
- **<Hora>**: hora actual
- **<Autonomía>**: autonomía esperada de la carga disponible de la batería de la eBike (en condiciones constantes, como nivel de asistencia, perfil de ruta, etc.)
- **<Velocidad Ø>**: velocidad media alcanzada desde la última reposición
- **<Velocidad máx.>**: velocidad máxima alcanzada desde la última reposición
- **<Distancia total>**: Indicación de la distancia total recorrida con la eBike (no puede restablecerse)

Indicación: El ordenador de a bordo indica automáticamente una recomendación de cambio de marcha cuando se conduce la eBike. La indicación de la recomendación de cambio se superpone al indicador de textos **(f)** del ordenador de a bordo y puede desactivarse manualmente a través de los ajustes básicos.

Cambio del indicador de funcionamiento



Presione repetidamente la tecla ◀ o ▶, hasta que aparezca la función deseada.



Presione repetidamente la tecla de selección ◻, hasta que aparezca la función deseada.

Algunos ajustes no pueden realizarse en el ordenador de a bordo, sino sólo en la aplicación **eBike Flow**, p.ej.:

- **<Circunf. de rueda>**
- **<Restablecer rango>**

– <Restablecer trayecto automático>

La aplicación **eBike Flow** le ofrece un resumen de las horas de servicio y los componentes instalados.

Visualización/adaptación de los ajustes básicos

Indicación: No se puede acceder al menú de configuración mientras se conduce.

Para entrar en el menú de ajustes básicos, presione la tecla de selección ◻ en la unidad de mando, hasta que aparezca en el indicador de textos **<Ajustes>**.

Cambiar/abandonar los ajustes básicos



Presione repetidamente la tecla ◀ o ▶, hasta que aparezca el ajuste básico deseado.



Presione repetidamente la tecla de selección ◻ o ◻, hasta que aparezca el ajuste básico deseado.

Indicación: La configuración modificada se guarda automáticamente al abandonar el ajuste básico correspondiente.

Modificar los ajustes básicos



Para hojear hacia abajo, presione brevemente la tecla de selección ◻, hasta que aparezca el valor deseado.



Para hojear hacia abajo, presione la tecla de selección ◻ > 1 s, hasta que aparezca el valor deseado.

Indicación: Si mantiene presionada la tecla correspondiente, el cambio al siguiente valor de los ajustes básicos es automático.

Puede elegir entre los siguientes ajustes básicos:


- **<Idioma>**: Aquí puede elegir el idioma de visualización preferido de una selección.
- **<Unidades>**: Puede dejar mostrar la velocidad y la distancia en kilómetros o millas.
- **<Hora>**: Aquí puede ajustar la hora.
- **<Formato>**: Puede visualizar la hora en formato de 12 o 24 horas.

- **<Recomend. cambio>**: Puede conectar o desconectar el indicador de una recomendación de cambio de marcha.
- **<Iluminac.display>**: Aquí puede ajustar la duración de la iluminación de fondo.
- **<Brillo>**: La luminosidad se puede ajustar en pasos de 5 desde 5–100 %.
- **<Reponer ajuste?>**: Aquí puede reponer los ajustes manteniendo presionada la tecla de selección.
- **<Certificación>**: FCC-ID: 2AWRC-BHU3200, IC-ID: 26294-BHU3200
- **<Volver>**: Con esta función puede salir del menú de configuración.


Abandonar el menú de ajustes básicos

Se abandona el menú de ajustes básicos automáticamente cuando la eBike está inactiva durante 60 s, cuando se monta o se utiliza la función **<Volver>**.



Presione brevemente la tecla de selección , para abandonar el menú de ajustes básicos mediante la función **<Volver>**.



Presione la tecla de selección  > 1 s, para abandonar el menú de ajustes básicos mediante la función **<Volver>**.

Mantenimiento y servicio

Mantenimiento y limpieza

Todos los componentes no deben limpiarse con agua a presión.

Mantenga limpia la pantalla de su ordenador de a bordo. La suciedad puede afectar a la luminosidad de la pantalla.

Para limpiar el ordenador de a bordo, utilice un paño suave, humedecido únicamente con agua. No utilice productos de limpieza.

Deje revisar su eBike al menos una vez al año (entre otros el sistema mecánico, la actualización del software del sistema).

Adicionalmente, el distribuidor de bicicletas puede tomar como base un kilometraje y/o un intervalo de

tiempo para fijar la fecha del servicio. En ese caso, el ordenador de a bordo le mostrará el vencimiento de la fecha de mantenimiento al encender el ordenador. Para el servicio o las reparaciones de la eBike, contáctese con un distribuidor de bicicletas autorizado.

► **Encargue todas las reparaciones únicamente a un distribuidor de bicicletas autorizado.**

Indicación: En caso de llevar la eBike a un distribuidor de bicicletas para su mantenimiento, se recomienda desactivar temporalmente **<eBike Lock>** y **<eBike Alarm>**, para evitar falsas alarmas.

Servicio técnico y atención al cliente

En caso de cualquier consulta sobre la eBike y sus componentes, diríjase a un distribuidor de bicicletas autorizado.

Los detalles de contacto de los distribuidores de bicicletas autorizados se pueden encontrar en el sitio web www.bosch-ebike.com.

Transporte

► **Si lleva la eBike en el exterior de su automóvil, por ejemplo en un portaequipajes externo al vehículo, retire el ordenador de a bordo y la ba-**

tería de la eBike (excepción: batería para eBike instalada de forma permanente), para evitar daños.

Programa de reciclaje de baterías



La unidad de accionamiento, el ordenador de a bordo incl. la unidad de mando, el acumulador para eBike, el sensor de velocidad, los accesorios y los embalajes deben reciclarse de forma respetuosa con el medio ambiente.

¡No arroje eBikes y sus componentes a la basura!



Puede reciclar su paquete de baterías de Bosch llamando al 1.800.822.8837.

Cette notice contient d'importantes informations sur la sécurité, les performances et l'entretien. Lisez-les et comprenez-les ainsi que les informations fournies par le fabricant de votre vélo avant d'utiliser le produit, et conservez-les pour référence ultérieure.

Owner's Manual Charger

BPC3210 | BPC3410

Robert Bosch GmbH
72757 Reutlingen
Germany

www.bosch-ebike.com

0 275 U07 3CX (2023.03) T / 44



Este manual contiene información importante de seguridad, rendimiento y mantenimiento. Léalo y asegúrese de entenderlo junto con la información que le ha facilitado el fabricante de su bicicleta antes de usar el producto; guárdelo a modo de referencia.

en Original operating instructions
fr Notice d'utilisation d'origine
es Instrucciones de servicio originales

This manual contains important safety, performance and service information. Read and understand it along with the information provided to you by your bicycle manufacturer before using the product, and keep it for reference.



Table of Contents

Introduction	2
About Warnings	2
General Warnings	2
Using your Manual	3
On-Product Warning Labels Charger	4
Operating the Charger	5
Safety Instructions	5
Product Description and Specifications	7
Operation	9
Maintenance/cleaning	12
Troubleshooting	13
Battery Recycling Program	14

Introduction

About Warnings

This manual contains many **DANGER**, **WARNING**, and **CAUTION** indicators concerning the consequences of failure to use, assemble, maintain, store, inspect and dispose of a Bosch-equipped eBike in a safe manner.

- The combination of the safety alert symbol and the word **DANGER** indicates a hazardous situation that, if not avoided, will result in death or serious injury.
- The combination of the safety alert symbol and the word **WARNING** indicates a hazardous situation that, if not avoided, could result in death or serious injury.
- The combination of the safety alert symbol and the word **CAUTION** indicates a hazardous situation that, if not avoided, could result in minor or moderate injury.

General Warnings



Read all safety warnings and all instructions. Failure to follow the warnings and instructions may result in death or serious injury.

Save all safety warnings and instructions for future reference.

The term **eBike battery** used in these operating instructions refers to all original Bosch eBike batteries from the system generation **the smart system**.

- ▶ **Read ALL accompanying manuals before riding the bike for the first time.** Your Bosch Drive System comes with additional manuals and documents provided by the manufacturer of the bicycle and other components. Failure to read and understand safety information can result in death or serious injury.

⚠ WARNING

- ▶ **This manual contains important safety, performance and service information.** Read it before you take the first ride on your new bicycle, and keep it for reference. The manual can also be found online at www.bosch-ebike.com.
- ▶ **This manual is intended to be read together with the separate user manual provided with your bicycle.** Be sure to read all provided documents including labels on the product before your first ride.

- ▶ **Take responsibility for your own SAFETY.** If you have any questions or do not understand something, consult with your dealer or the bicycle or component manufacturer.
- ▶ **Some eBike accessories may present a choking hazard to small children.** Keep these accessories away from children.

⚠ CAUTION

- ▶ **The Bosch Drive System adds weight to your bicycle which you may not be used to lift.** Avoid injury, use proper lifting techniques.

Using your Manual

In addition to the functions outlined here, changes to software relating to troubleshooting and functional modifications may be introduced at any time.

Graphics

The bicycle shown in this manual may differ slightly from your bicycle, but will be similar enough to help you understand our instructions.

RIGHT-HAND and LEFT-HAND sides are determined by facing in the direction the bicycle will travel when going forward. When you see a broken line (-----), the item referred to is hidden from view.

On-Product Warning Labels Charger

A

eBike Battery Charger BPC3210
2A Charger
EB12.110.018
 Input: 100-120V~ 50-60 Hz 1.7A
 Output: 36V== 2A
 Made in China
 Robert Bosch GmbH
 72757 Reutlingen, Germany




This device complies with part 15 of the FCC Rules. Operation is subject to the following two conditions: (1) This device may not cause harmful interference, and (2) this device must accept any interference received, including interference that may cause undesired operation.

⚠ WARNING For safe operation see manual. Risk of electric shock. Indoor use only. Charge only batteries of the Bosch eBike Systems. Other batteries may burst causing personal damage. Do not replace the plug assembly as risk of fire or electric shock may result.

⚠ ADVERTENCIA Para un funcionamiento con seguridad, ver el manual Peligro de sacudida eléctrica. Utilice solamente en lugares secos. Cargar únicamente baterías de sistemas eBike de Bosch. Otras baterías podrían reventar, causando lesiones personales y daños. No reemplace el ensamblaje del enchufe, ya que el resultado puede ser riesgo de incendio o sacudidas eléctricas.

⚠ AVERTISSEMENT Pour un fonctionnement sûr, reportez-vous au manuel. Risque de choc électrique. Utiliser en lieu sec uniquement. A utiliser uniquement avec les batteries des systèmes d'assistance électrique eBike de Bosch. D'autres batteries risqueraient d'éclater et de causer des blessures corporelles et des dommages. Ne pas remplacer la connectique car un risque d'incendie ou de choc électrique pourrait en résulter.

USE ONLY with BOSCH Li-Ion batteries

CAN ICES-002(B) / NMB-002(B)

B



eBike Battery Charger BPC3410
4A Charger
EB12.110.000
 Input: 100-120 V~ 50-60 Hz 3.2 A
 Output: 36 V== 4 A BFP
 CAN ICES-002(B) / NMB-002(B)
 Made in Vietnam
 Robert Bosch GmbH
 72757 Reutlingen, Germany

This device complies with part 15 of the FCC Rules. Operation is subject to the following two conditions:
 (1) This device may not cause harmful interference, and
 (2) this device must accept any interference received, including interference that may cause undesired operation.

⚠ WARNING For safe operation see manual. Risk of electric shock. Indoor use only. Charge only Li-Ion batteries of the Bosch eBike Systems. Other batteries may burst causing personal damage. Do not replace the plug assembly as risk of fire or electric shock may result.

⚠ ADVERTENCIA Para un funcionamiento con seguridad, ver el manual Peligro de sacudida eléctrica. Utilice solamente en lugares secos. Cargar únicamente Li-ion baterías de sistemas eBike de Bosch. Otras baterías podrían reventar, causando lesiones personales y daños. No reemplace el ensamblaje del enchufe, ya que el resultado puede ser riesgo de incendio o sacudidas eléctricas.

⚠ AVERTISSEMENT Pour un fonctionnement sûr, reportez-vous au manuel. Risque de choc électrique. Utiliser en lieu sec uniquement. A utiliser uniquement avec les batteries Li-Ion des systèmes d'assistance électrique eBike de Bosch. D'autres batteries risqueraient d'éclater et de causer des blessures corporelles et des dommages. Ne pas remplacer la connectique car un risque d'incendie ou de choc électrique pourrait en résulter.

E498234

- A** 2A charger
- B** 4A charger

A short version of important safety warnings in English, French and Spanish with the following content can be found on the bottom side of the charger (marked with number **(4)** in the representation on the graphics page):

- For safe operation, see manual.
- Risk of electric shock
- Indoor use only
- Charge only batteries for the Bosch eBike Systems. Other batteries may burst causing personal damage.
- Do not replace the plug assembly as risk of fire or electric shock may result.

Operating the Charger

Safety Instructions

IMPORTANT SAFETY INSTRUCTIONS SAVE THESE INSTRUCTIONS –

This manual contains important safety and operating instructions for this battery charger.

- ▶ Before using battery charger, read all instructions and cautionary markings on battery charger, battery, and product using battery.

⚠ CAUTION

- ▶ **To reduce risk of injury, charge only batteries of the Bosch eBike Systems.** Other types of batteries may burst causing personal injury and damage.



- ▶ **Read and understand all safety warnings and instructions.** Failure to follow the below warnings could result in death or serious injury.

Save all safety warnings and instructions for future reference.

The term **charger** is used in these instructions to mean all original Bosch chargers from the system generation **the smart system**.

The term **eBike battery** used in these operating instructions refers to all original Bosch eBike batteries from the system generation **the smart system**.

- ▶ **Read and observe the safety warnings and instructions in all operating instructions of the eBike system and your eBike.**

⚠ DANGER

- ▶ **Only charge Bosch eBike lithium-ion battery packs with approved Bosch eBike chargers. The battery pack voltage must match the battery pack charging voltage of the charger.** Otherwise, there is risk of fire and explosion.
- ▶ **Carefully cover the charging socket with the flap after charging the eBike.** This ensures that no dirt or water gets in.



Do not expose the charger to rain or wet conditions. If water enters a charger, there is a risk of electric shock.

⚠ WARNING

- ▶ **Use only the original Bosch battery charger supplied with your eBike or one approved for your eBike by the manufacturer and purchased from a trusted source.** Bypassing the battery charger or the use of a non-approved or counterfeit battery charger can lead to death or serious injury.
- ▶ **Do not charge or use your eBike in any area with a potentially explosive atmosphere, such as at a fueling area, or in areas where the air contains chemicals or particles (such as grain, dust, or metal powders).** Obey all signs and instructions.
- ▶ **Keep the battery charger clean.** Contamination can lead to the risk of an electric shock. Clean only with the use of a damp cloth (mild soap/water).
- ▶ **Always check the charger, cable and plug before use. Stop using the charger if you discover any damage. Do not open the charger.** Damaged chargers, cables and plugs increase the risk of electric shock.
- ▶ **Do not operate the charger on an easily ignited surface (e.g. paper, textiles, etc.) or in a flammable environment.** There is a risk of fire due to the charger heating up during operation.
- ▶ **Take care if you touch the charger while it is charging. Wear protective gloves.** The charger can get very hot, especially when the ambient temperature is high.
- ▶ **The eBike battery may give off fumes if it becomes damaged or is used incorrectly. Ensure the area is well ventilated and seek medical attention should you experience any adverse effects.** The fumes may irritate the respiratory system.

- ▶ **The eBike battery must not be left unattended while charging.**
- ▶ **eBike batteries must not be subjected to mechanical shock.** There is a risk of the eBike battery being damaged.
- ▶ **Keep the battery charger away from children.** This will ensure that children do not play with the charger.
- ▶ **Persons who are not capable of safely operating the charger because of their physical, sensory or mental limitations, or because of their lack of experience or knowledge, may only use this charger under supervision or after having been instructed by a responsible person.** Otherwise, there is a risk of operating errors and injuries.

NOTICE: This device complies with part 15 of the FCC Rules. Operation is subject to the following two conditions:

1. This device must not cause harmful interference, and
2. this device must accept any interference received, including interference that may cause undesired operation.

NOTICE: Changes or modifications made to this equipment not expressly approved by the Robert Bosch GmbH may void the FCC authorization to operate this equipment.

NOTE: This equipment has been tested and found to comply with the limits for a Class B digital device, pursuant to Part 15 of the FCC Rules. These limits are designed to provide reasonable protection against harmful interference in a residential installation. This equipment generates, uses and can radiate radio frequency energy and, if not installed and used in accordance with the instructions, may cause harmful interference to radio communications. However, there is no guarantee that interference will not occur in a particular installation. If this equipment does cause harmful interference to radio or television reception, which can be determined by turning the equipment off and on, the user is encouraged to try to correct the interference by one or more of the following measures:

- Reorient or relocate the receiving antenna.
- Increase the separation between the equipment and receiver.
- Connect the equipment into an outlet on a circuit different from that to which the receiver is connected.
- Consult the dealer or an experienced radio/TV technician for help.

Responsible party:

Bosch eBike Systems Americas

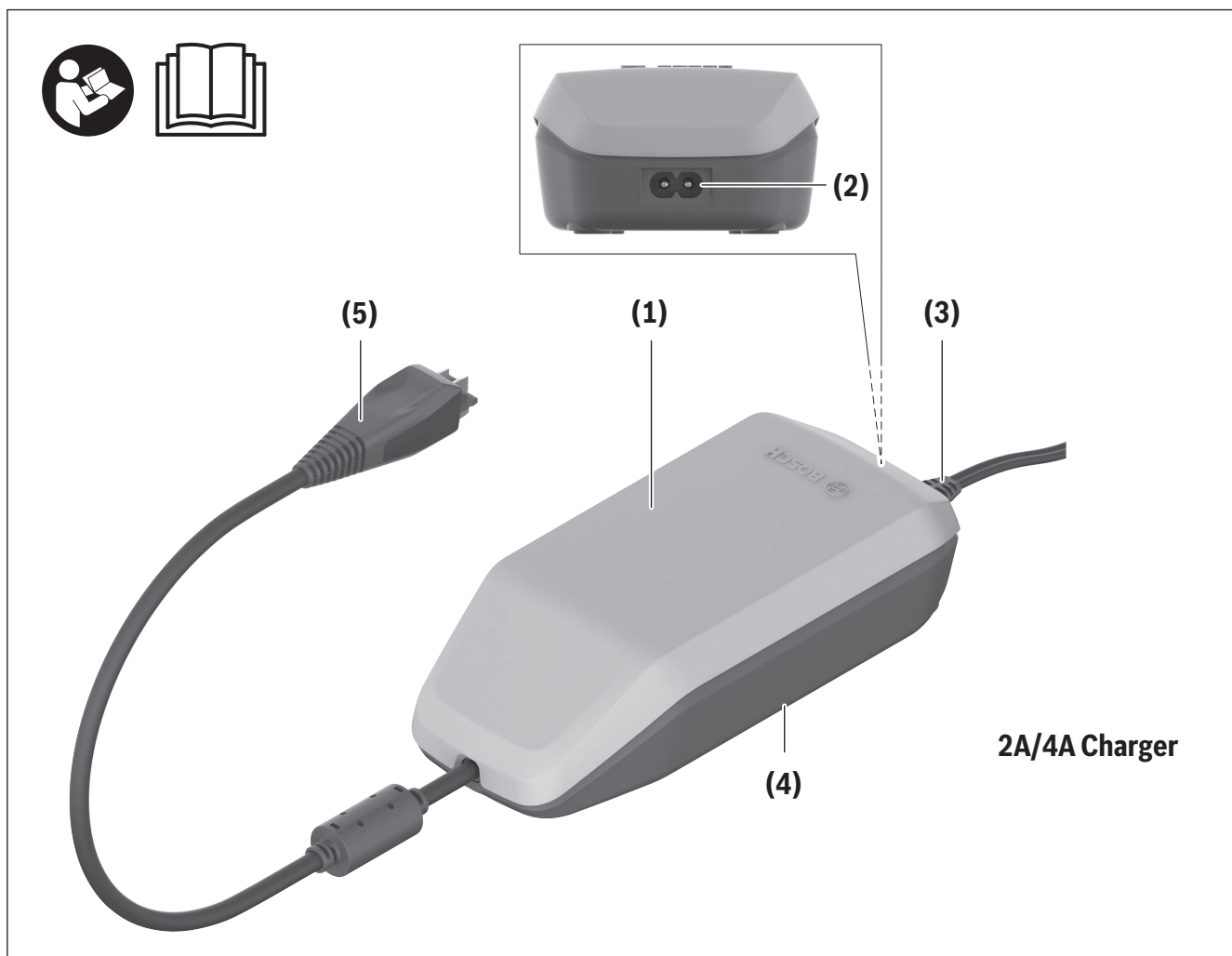
Robert Bosch LLC

27211 Burbank, Foothill Ranch, CA 92610, USA,

www.bosch-ebike.com/us/

Product Description and Specifications

Product Features



All representations of bike components are schematic and can deviate from your eBike.

- (1)** Charger
- (2)** Device socket
- (3)** Device connector
- (4)** Charger safety instructions
- (5)** Charging connector

Intended Use

In addition to the functions outlined here, changes to software relating to troubleshooting and functional modifications may be introduced at any time.

The Bosch eBike chargers are intended exclusively to charge eBike batteries and must not be used for any other purpose.

The Bosch eBike chargers depicted here are compatible with Bosch eBike batteries from the new system generation **the smart system**.

Technical data

Charger		2A Charger	4A Charger
Product code		BPC3210	BPC3410
Input voltage	V~	100–120	100–120
Frequency	Hz	50–60	50–60
Rated voltage of the rechargeable battery	V=	36	36
Charging current (max.)	A	2	4
Charging time for PowerTube 750 approx. ^{A)}	h	11	6
Charging time for PowerPack 400 approx. ^{A)}	h	6	3.5
Operating temperature	°F	32 to 104	32 to 104
Storage temperature	°F	50 to 104	50 to 104
Weight, approx.	lb	1.2	1.5
Protection rating		IP40	IP40

A) You can find the charging times for additional eBike batteries at: www.bosch-ebike.com.

Power cable

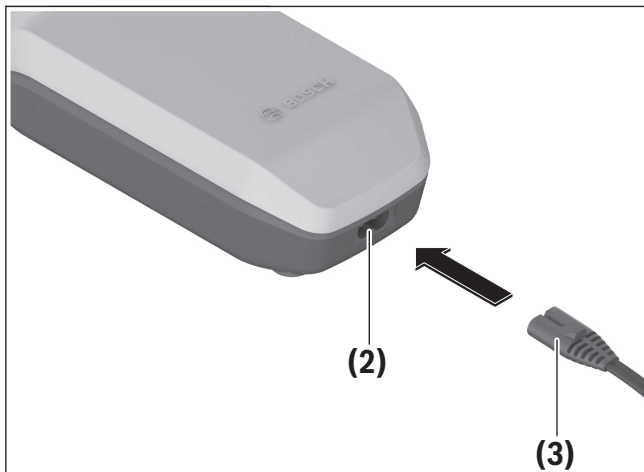
Article number		1 270 020 343
Rated voltage – cables	V~	300
Rated voltage – connectors/plug-in connectors	V~	125
Rated current – connectors/plug-in connectors	A	10
Material – cables		PVC
Safety standard – cables		UL 62
Safety standard – connectors/plug-in connectors		UL 817
Length, approx.	ft	6

With regard to electromagnetic compatibility (EMC), the charger is classified as a table-top device.

Operation

Start-up

Connecting the charger to the mains

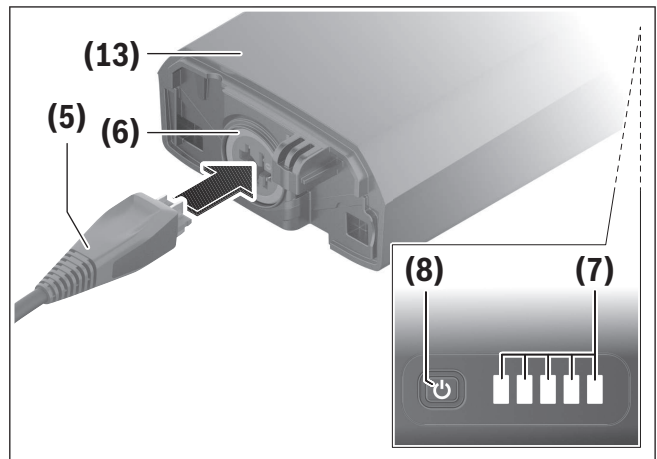
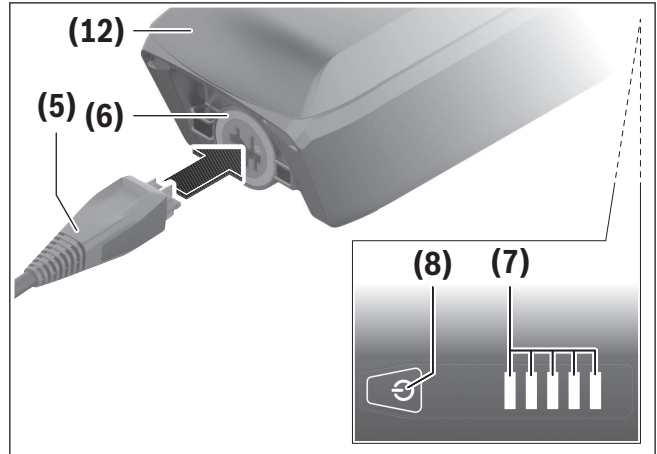
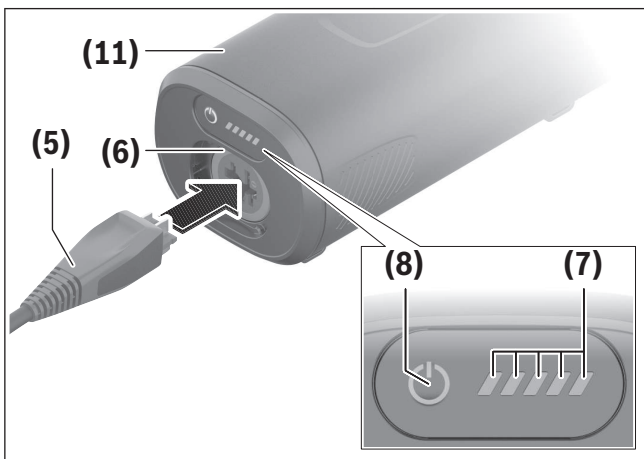
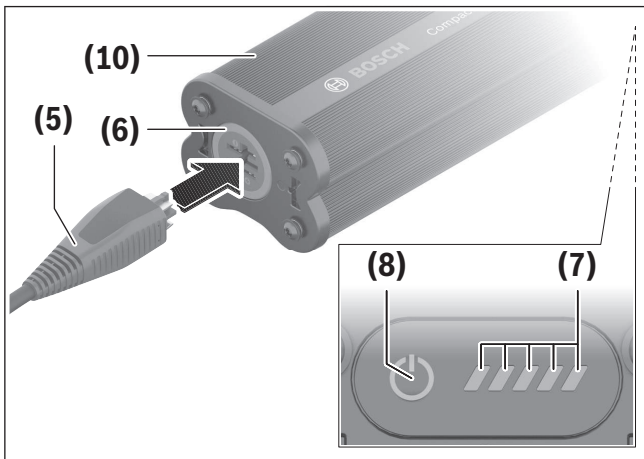
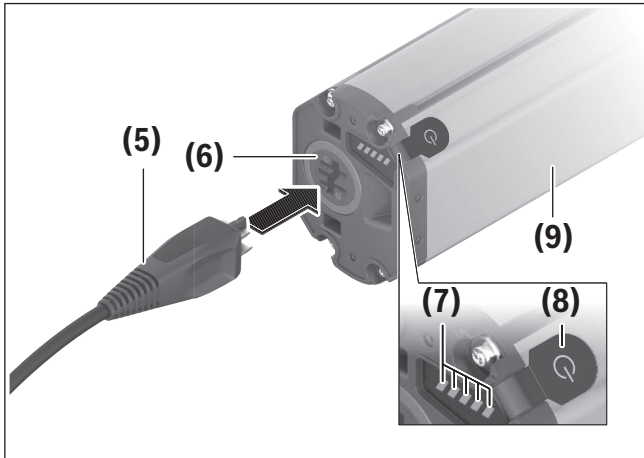


(2) Device socket

(3) Device connector

- **Note the household voltage!** The voltage of the power supply must correspond to the specifications given on the battery charger nameplate. Plug the device connector **(3)** of the power cable into the device socket **(2)** on the charger. Connect the power cable (country-specific) to the mains. Use only the supplied input connection: standard AC power cord **((3)** in the diagram) when connecting to the household electrical supply.

Charging the eBike Battery when Removed



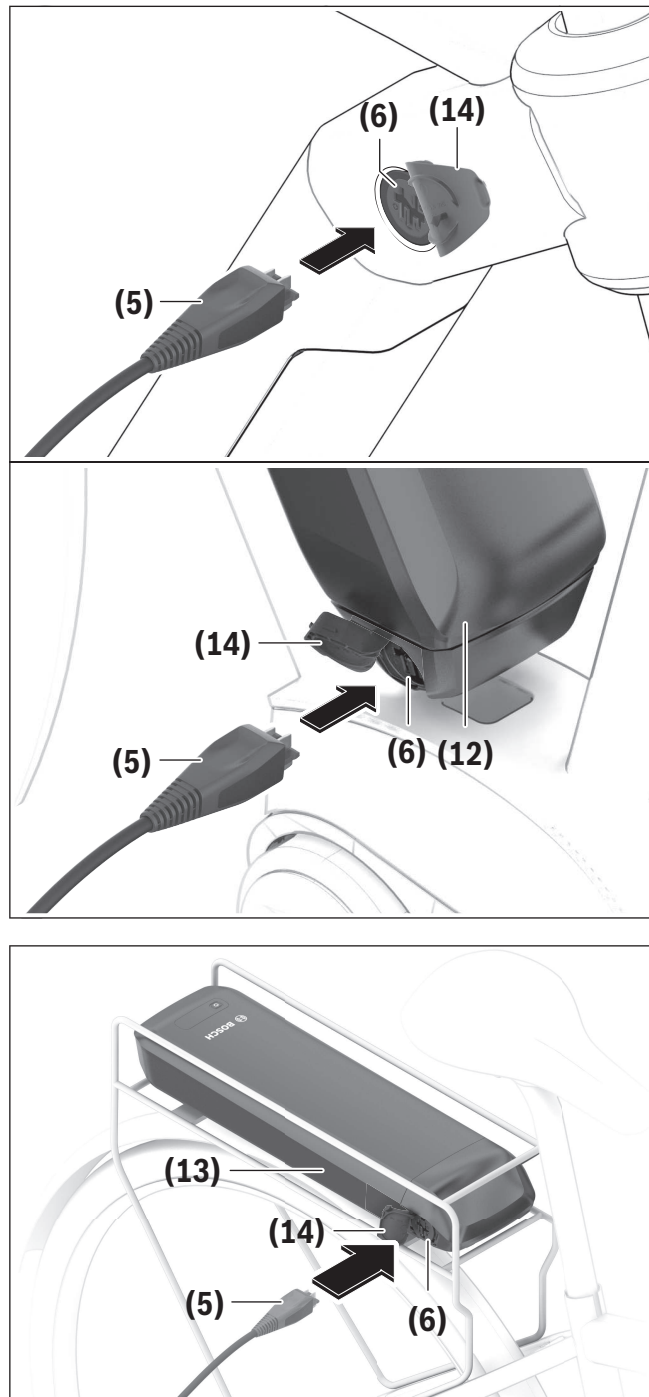
- (5) Charging connector
- (6) Socket for charging connector
- (7) Operation/battery charge indicator
- (8) On/off button for eBike battery
- (9) PowerTube
- (10) CompactTube
- (11) PowerMore
- (12) PowerPack
- (13) Rack-mounted battery

Switch the eBike battery off and remove it from its holder on the eBike. When doing so, read and observe the operating instructions of the eBike battery.

► **Ensure the eBike battery is placed on clean surfaces only.** Avoid getting dirt, e.g. sand or soil, in the charging socket and contacts in particular.

Plug the charging connector **(5)** of the charger into the charging socket **(6)** on the eBike battery.

Charging the eBike Battery when Inserted in the eBike



(5) Charging connector

(6) Socket for charging connector

(14) Charging socket cover

(12) PowerPack

(13) Rack-mounted battery

Switch the eBike battery off. Clean the cover of the charging socket **(14)**. Avoid getting dirt, e.g. sand or soil, in the charging socket and contacts in particular. Lift the cover of the charging socket **(14)** and plug the charging connector **(5)** into the charging socket **(6)**.

► **There is a risk of fire due to the charger heating up during charging. Ensure the eBike battery on the eBike is completely dry and placed on a fire-proof surface before charging.** If this is not possible, remove the eBike battery from the holder and charge it in a more suitable location. When doing so, read and observe the operating instructions of the eBike battery.

Charging process

The charging process begins as soon as the charger is connected to the eBike battery or charging socket on the eBike and to the mains.

Note: The charging process is only possible when the temperature of the eBike battery is within the permitted charging temperature range.

Note: The drive unit is deactivated during the charging process.

The eBike battery can be charged with and without the on-board computer. When charging without the on-board computer, the charging procedure can be observed on the battery charge indicator **(7)** and, where applicable, on the operating unit.

When the on-board computer is connected, a charging notification appears on the display.

The state of charge is displayed by the battery charge indicator **(7)** on the eBike battery, the operating unit and, where applicable, the on-board computer.

The LEDs on the eBike battery charge indicator **(7)** flash during the charging process. Each solid illuminated LED represents approximately 20 % of the

charging capacity. The flashing LED indicates the next 20 % currently charging.

Once the eBike battery is fully charged, the LEDs extinguish immediately and the on-board computer is switched off. The charging process is terminated. The state of charge can be displayed for **5** seconds by pressing the on/off button **(8)** on the eBike battery. Disconnect the charger from the mains and the eBike battery from the charger.

When the battery is disconnected from the charger, the eBike battery is automatically switched off.

Note: If you have charged the battery on the eBike, carefully close the charging socket **(6)** with the cover **(14)** after charging, so that no dirt or water can get in.

If the charger is not disconnected from the eBike battery after charging, after a few hours the charger will switch itself back on, check the state of charge of the eBike battery and begin the charging procedure again if necessary.

Maintenance/cleaning




WARNING

- ▶ **Do not open any of the components. Service should only be carried out at an authorized Bosch eBike dealer.** Failure to follow above warning can cause death or serious injury. Refer to your bicycle manual or component manual for all non-Bosch drive system components.
- ▶ **Do not submerge your eBike components in water, or wash with pressurized hose.** Your Bosch drive unit is designed to be water tight to rain water or non-pressure hose washing.
- ▶ **Do not paint any components of the Bosch drive system as they may cause premature failure of the component.**

After-sales service and advice on using products

If you have any questions about the eBike and its components, contact an authorized bicycle retailer. For contact details of authorized bike dealerships, please visit www.bosch-ebike.com. Please contact an authorized bicycle dealer if the eBike battery is no longer working.

Troubleshooting

Cause	Corrective measures
 <p>eBike battery defective</p>	<p>Two LEDs flash on the eBike battery. Contact an authorized bike dealership.</p>
 <p>eBike battery too warm or too cold</p>	<p>Three LEDs flash on the eBike battery. Disconnect the eBike battery from the charger until the charging temperature range has been reached. Do not reconnect the eBike battery to the charger until it has reached the correct charging temperature.</p>
 <p>The charger is not charging.</p>	<p>No LEDs flashing (one or more LEDs will remain permanently lit depending on the state of charge of the eBike battery). Contact an authorized bike dealership.</p>
<p>Charging not possible (no indicator on eBike battery)</p>	
<p>Connector not attached properly</p>	<p>Check all connections.</p>
<p>eBike battery contacts dirty</p>	<p>Carefully clean the eBike battery contacts.</p>
<p>Socket outlet, cable or charger defective</p>	<p>Check the mains voltage, have the charger checked over by a bike dealership.</p>
<p>eBike battery defective</p>	<p>Contact an authorized bike dealership.</p>

Battery Recycling Program



The drive unit, on-board computer incl. operating unit, eBike battery, speed sensor, accessories and packaging should be disposed of in an environmentally correct manner.

Do not dispose of eBikes and their components with household waste.



You may recycle your Bosch battery pack by calling 1.800.822.8837.

Table des matières

Introduction	2
À propos des avertissements.....	2
Avertissements généraux.....	2
Utilisez votre notice d'utilisation	3
Étiquettes d'avertissement sur le chargeur	4
Utilisation du chargeur	5
Consignes de sécurité	5
Description et caractéristiques techniques du produit.....	7
Fonctionnement	9
Maintenance/nettoyage	12
Résolution des problèmes	13
Programme de recyclage des accus.....	14

Introduction

À propos des avertissements

Cette notice contient de nombreuses mentions de danger de type **DANGER, AVERTISSEMENT** et **ATTENTION** destinées à attirer l'attention sur les conséquences d'erreurs, dans le but d'utiliser, d'assembler, d'entretenir, de conserver et d'éliminer dans les règles et en toute sécurité les vélos électriques dotés d'un système eBike Bosch.

- Le symbole de sécurité et le mot **DANGER** signalent une situation à risque élevé, qui entraîne inévitablement des blessures graves, voire la mort, si elle n'est pas évitée.

- Le symbole de sécurité et le mot **AVERTISSEMENT** signalent une situation à risque élevé, pouvant entraîner des blessures graves, voire la mort, si elle n'est pas évitée.
- Le symbole de sécurité et le mot **ATTENTION** signalent une situation à risque modéré pouvant entraîner des blessures légères ou modérées si elle n'est pas évitée.

Avertissements généraux



Lisez tous les avertissements de sécurité et toutes les instructions. Le fait de ne pas respecter les avertissements et les instructions peut entraîner des blessures graves ou mortelles.

Conservez tous les avertissements et toutes les instructions pour pouvoir s'y reporter ultérieurement.

Le terme **batterie VAE** utilisé dans cette notice désigne toutes les batteries VAE Bosch d'origine de la génération **the smart system (le système intelligent)**.

- **Lisez TOUS les manuels et TOUTES les notices jointes avant d'utiliser votre vélo pour la première fois.** Votre système d'entraînement Bosch est livré avec d'autres manuels et documents fournis par le fabricant du vélo et des autres éléments. Ne pas lire ou ne pas comprendre les informations de sécurité peut entraîner des blessures graves ou mortelles.

AVERTISSEMENT

- **Cette notice contient d'importantes informations sur la sécurité, les performances et l'entretien.** Veuillez la lire avant d'utiliser votre vélo pour

la première fois, et la conserver pour référence ultérieure. Vous pouvez également retrouver cette notice en ligne à l'adresse www.bosch-ebike.com.

- **Cette notice est destinée à être lue conjointement avec le manuel utilisateur séparé fourni avec votre vélo.** Assurez-vous de lire tous les documents fournis y compris les étiquettes apposées sur le produit avant la première utilisation.
- **Assumez la responsabilité de votre propre SÉCURITÉ.** En cas de question ou d'incompréhension, contactez votre revendeur ou le fabricant du vélo ou de l'élément.
- **Certains accessoires de l'eBike peuvent présenter un risque d'étouffement pour les petits enfants.** Conservez ces accessoires hors de portée des enfants.

ATTENTION

- **Le système d'entraînement Bosch alourdit votre vélo. Vous n'avez peut-être pas l'habitude de le soulever.** Évitez de vous blesser en utilisant des techniques de levage appropriées.

Utilisez votre notice d'utilisation

Nous nous réservons le droit d'apporter à tout moment des modifications au logiciel pour corriger des erreurs ou pour modifier les fonctionnalités décrites dans la présente notice.

Graphiques

Le vélo illustré dans cette notice peut être légèrement différent de votre vélo, mais il est suffisamment similaire pour vous permettre de comprendre nos instructions.

Les côtés DROIT et GAUCHE sont déterminés en se plaçant en situation, dans le sens de la marche du vélo. Lorsqu'une ligne en pointillé (-----) apparaît, l'élément auquel il est fait référence n'est pas visible.

Étiquettes d'avertissement sur le chargeur

A

eBike Battery Charger BPC3210
2A Charger
EB12.110.018
 Input: 100-120V~ 50-60 Hz 1.7A
 Output: 36V== 2A
 Made in China
 Robert Bosch GmbH
 72757 Reutlingen, Germany




This device complies with part 15 of the FCC Rules. Operation is subject to the following two conditions: (1) This device may not cause harmful interference, and (2) this device must accept any interference received, including interference that may cause undesired operation.

⚠ WARNING For safe operation see manual. Risk of electric shock. Indoor use only. Charge only batteries of the Bosch eBike Systems. Other batteries may burst causing personal damage. Do not replace the plug assembly as risk of fire or electric shock may result.

⚠ ADVERTENCIA Para un funcionamiento con seguridad, ver el manual Peligro de sacudida eléctrica. Utilice solamente en lugares secos. Cargar únicamente baterías de sistemas eBike de Bosch. Otras baterías podrían reventar, causando lesiones personales y daños. No reemplace el ensamblaje del enchufe, ya que el resultado puede ser riesgo de incendio o sacudidas eléctricas.

⚠ AVERTISSEMENT Pour un fonctionnement sûr, reportez-vous au manuel. Risque de choc électrique. Utiliser en lieu sec uniquement. A utiliser uniquement avec les batteries des systèmes d'assistance électrique eBike de Bosch. D'autres batteries risqueraient d'éclater et de causer des blessures corporelles et des dommages. Ne pas remplacer la connectique car un risque d'incendie ou de choc électrique pourrait en résulter.

USE ONLY with BOSCH Li-Ion batteries

CAN ICES-002(B) / NMB-002(B)

B



eBike Battery Charger BPC3410
4A Charger
EB12.110.000
 Input: 100-120 V~ 50-60 Hz 3.2 A
 Output: 36 V== 4 A BFP
 CAN ICES-002(B) / NMB-002(B)
 Made in Vietnam
 Robert Bosch GmbH
 72757 Reutlingen, Germany

This device complies with part 15 of the FCC Rules. Operation is subject to the following two conditions:
 (1) This device may not cause harmful interference, and
 (2) this device must accept any interference received, including interference that may cause undesired operation.

⚠ WARNING For safe operation see manual. Risk of electric shock. Indoor use only. Charge only Li-ion batteries of the Bosch eBike Systems. Other batteries may burst causing personal damage. Do not replace the plug assembly as risk of fire or electric shock may result.

⚠ ADVERTENCIA Para un funcionamiento con seguridad, ver el manual Peligro de sacudida eléctrica. Utilice solamente en lugares secos. Cargar únicamente Li-ion baterías de sistemas eBike de Bosch. Otras baterías podrían reventar, causando lesiones personales y daños. No reemplace el ensamblaje del enchufe, ya que el resultado puede ser riesgo de incendio o sacudidas eléctricas.

⚠ AVERTISSEMENT Pour un fonctionnement sûr, reportez-vous au manuel. Risque de choc électrique. Utiliser en lieu sec uniquement. A utiliser uniquement avec les batteries Li-Ion des systèmes d'assistance électrique eBike de Bosch. D'autres batteries risqueraient d'éclater et de causer des blessures corporelles et des dommages. Ne pas remplacer la connectique car un risque d'incendie ou de choc électrique pourrait en résulter.

CAN ICES-002(B) / NMB-002(B)

A Chargeur 2 A

B Chargeur 4 A

Vous trouverez sous le chargeur un résumé des consignes de sécurité importantes en anglais, français et espagnol avec le texte suivant (voir la position **(4)** sur la page avec les graphiques) :

- Pour un fonctionnement sûr, reportez-vous au manuel.
- Risque de choc électrique
- Utiliser en lieu sec uniquement
- À utiliser uniquement avec les batteries des systèmes d'assistance électrique eBike de Bosch. D'autres batteries risqueraient d'éclater et de causer des blessures corporelles et des dommages.
- Ne pas remplacer la connectique car un risque d'incendie ou de choc électrique pourrait en résulter.

Utilisation du chargeur

Consignes de sécurité

CONSIGNES DE SÉCURITÉ IMPORTANTES

CONSERVEZ CES INSTRUCTIONS –

Ce manuel contient des consignes de sécurité et d'utilisation importantes pour ce chargeur de batterie.

- ▶ Avant d'utiliser le chargeur, lisez attentivement toutes les instructions et tous les avertissements relatifs au chargeur, à la batterie et au produit utilisant la batterie.

⚠ ATTENTION

- ▶ **Pour réduire les risques d'accident, ne chargez que les batteries du système eBike Bosch.** Les autres types de batteries risquent de provoquer des blessures et des dommages matériels.



- ▶ **Lisez et comprenez tous les avertissements et toutes les instructions.** Le fait de ne pas respecter les avertissements ci-dessous peut entraîner des blessures graves ou mortelles.

Conservez tous les avertissements et toutes les instructions pour pouvoir s'y reporter ultérieurement.

Le terme **chargeur** utilisé dans cette notice désigne tous les chargeurs Bosch d'origine de la génération **the smart system (le système intelligent)**.

Le terme **batterie VAE** utilisé dans cette notice désigne toutes les batteries VAE Bosch d'origine de la génération **the smart system (le système intelligent)**.

- ▶ **Lisez et respectez les consignes de sécurité et les instructions de toutes les notices d'utilisation du système eBike, ainsi que la notice d'utilisation de votre eBike.**

⚠ DANGER

- ▶ **Ne rechargez les batteries de VAE Lithium-Ion Bosch qu'avec des chargeurs Bosch homologués.**

La tension de la batterie doit correspondre à la tension de charge du chargeur. Il y a sinon un risque d'incendie et d'explosion.

- ▶ **Obtenez soigneusement la prise de charge avec le cache après avoir rechargé le vélo électrique.** Cela empêche toute pénétration de saletés ou d'eau.



N'exposez pas le chargeur à la pluie ou à de l'humidité. En cas de pénétration d'eau dans un chargeur il y a risque de choc électrique.

⚠ AVERTISSEMENT

- ▶ **Utilisez uniquement le chargeur de batterie Bosch d'origine fourni avec votre vélo électrique ou un chargeur homologué par le fabricant et acheté auprès d'une source fiable.** Tout court-circuitage ou toute utilisation d'un chargeur de contre-façon ou non homologué peut entraîner des blessures graves ou mortelles.

- ▶ **Ne rechargez pas et n'utilisez pas votre eBike dans une zone présentant une atmosphère potentiellement explosive, par exemple dans une station-service ou dans des zones dans lesquelles l'air contient des produits chimiques ou des particules (telles que des grains, de la poussière ou des poudres métalliques).** Respectez tous les panneaux et toutes les instructions.

- ▶ **Veillez à ce que le chargeur de batterie reste propre.** Tout encrassement augmente le risque de choc électrique. Effectuez le nettoyage uniquement à l'aide d'un chiffon humide (savon doux/eau).

- ▶ **Vérifiez l'état du chargeur, du câble et du connecteur avant chaque utilisation. N'utilisez plus le chargeur si vous constatez des dommages. N'ouvrez pas le chargeur.** Le risque de choc électrique augmente quand le chargeur, le câble ou le connecteur présente un dommage.

- ▶ **N'utilisez pas le chargeur sur un support facilement inflammable (par ex. papier, textile etc.) ou dans un environnement inflammable.** En s'échauffant, le chargeur peut provoquer un incendie.
- ▶ **Soyez prudent lorsque vous touchez le chargeur pendant le processus de charge. Portez des gants de protection.** Le chargeur peut s'échauffer fortement surtout en cas de température ambiante élevée.
- ▶ **En cas d'endommagement ou d'utilisation non conforme d'une batterie de VAE, des vapeurs peuvent être émises. Ventilez le local et consultez un médecin en cas de malaise.** Les vapeurs peuvent irriter les voies respiratoires.
- ▶ **Ne laissez pas la batterie de VAE sans surveillance pendant sa charge.**
- ▶ **Les batteries de VAE ne doivent subir aucun choc mécanique.** Elles risquent sinon d'être endommagées.
- ▶ **Conservez le chargeur de batterie hors de portée des enfants.** Cela évitera que des enfants jouent avec le chargeur.
- ▶ **Les personnes incapables d'utiliser seules ce chargeur en raison d'un handicap physique, sensoriel ou mental ou d'un manque d'expérience et/ou de connaissances ne sont autorisées à utiliser ce chargeur que sous la surveillance d'une personne responsable de leur sécurité ou après avoir reçu des instructions concernant son utilisation.** Il y a sinon risque de blessures et d'utilisation inappropriée.

REMARQUE : Cet appareil est conforme à la partie 15 du règlement de la FCC. L'utilisation est autorisée sous réserve des deux conditions suivantes :

1. L'appareil ne doit pas produire de brouillage, et

2. l'utilisateur de l'appareil doit accepter tout brouillage radioélectrique subi, même si le brouillage est susceptible d'en compromettre le fonctionnement.

REMARQUE : Tous les changements et toutes les modifications apportés à cet équipement qui ne sont pas approuvés de façon explicite par Robert Bosch GmbH risquent d'annuler l'autorisation FCC d'utilisation de cet équipement.

REMARQUE : Cet équipement a été testé et déclaré conforme aux limites applicables aux appareils numériques de classe B, selon la section 15 de la réglementation FCC. Ces limites sont destinées à assurer une protection raisonnable contre les interférences nuisibles dans une installation résidentielle. Cet équipement génère, utilise et peut émettre de l'énergie radiofréquence qui, en cas d'installation et d'utilisation non conforme aux instructions, peut provoquer des interférences susceptibles de perturber les communications radio. Toutefois, rien ne garantit l'absence d'interférences dans une installation particulière. Si cet appareil produit des interférences perturbant la réception des programmes radio ou télévision (peut être mis en évidence en éteignant et rallumant l'appareil), il est conseillé à l'utilisateur d'essayer de réduire ces interférences en prenant l'une ou plusieurs des mesures suivantes :

- Modifier l'orientation ou l'emplacement de l'antenne réceptrice.
- Éloigner l'appareil du récepteur.
- Connecter l'appareil à une prise différente de celle dans laquelle est branché le récepteur.
- Demander conseil au fournisseur ou à un technicien spécialisé en radio/télévision.

Organ responsable:

Bosch eBike Systems Americas

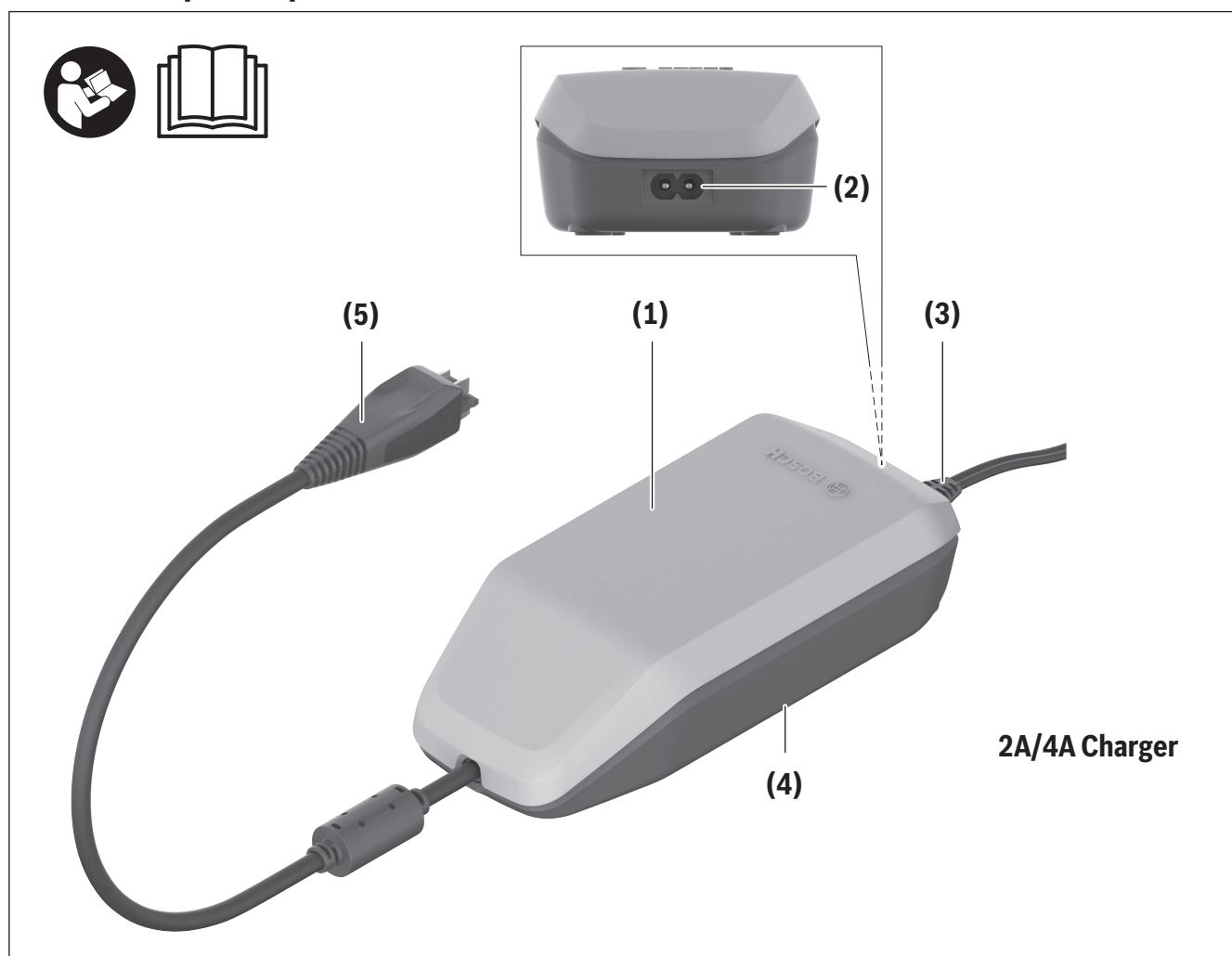
Robert Bosch LLC

27211 Burbank, Foothill Ranch, CA 92610, USA,

www.bosch-ebike.com/us/

Description et caractéristiques techniques du produit

Caractéristiques du produit



Toutes les représentations des éléments du vélo, à l'exception des éléments de l'eBike, sont schématiques et peuvent être différentes de votre eBike.

- (1)** Chargeur
- (2)** Prise du chargeur
- (3)** Connecteur du chargeur
- (4)** Consignes de sécurité du chargeur
- (5)** Connecteur de charge

Utilisation conforme

Nous nous réservons le droit d'apporter à tout moment des modifications au logiciel pour corriger des erreurs ou pour modifier les fonctionnalités décrites dans la présente notice.

Les chargeurs VAE Bosch sont uniquement conçus pour charger des batteries de VAE Bosch ; toute autre utilisation est interdite.

Les chargeurs Bosch pour VAE représentés sont compatibles avec les batteries de VAE Bosch de la nouvelle génération **the smart system (le système intelligent)**.

Caractéristiques techniques

Chargeur		2A Charger	4A Charger
Code produit		BPC3210	BPC3410
Tension d'entrée	V~	100–120	100–120
Fréquence	Hz	50–60	50–60
Tension nominale d'accu	V=	36	36
Courant de charge (maxi)	A	2	4
Durée de charge approx. PowerTube 750 ^{A)}	h	11	6
Durée de charge approx. PowerPack 400 ^{A)}	h	6	3,5
Températures de fonctionnement	°F	32 ... 104	32 ... 104
Températures de stockage	°F	50 ... 104	50 ... 104
Poids (approx.)	lb	1,2	1,5
Indice de protection		IP40	IP40

A) Vous trouverez les durées de charge avec d'autres batteries de VAE sur le site : www.bosch-ebike.com.

Câble de secteur

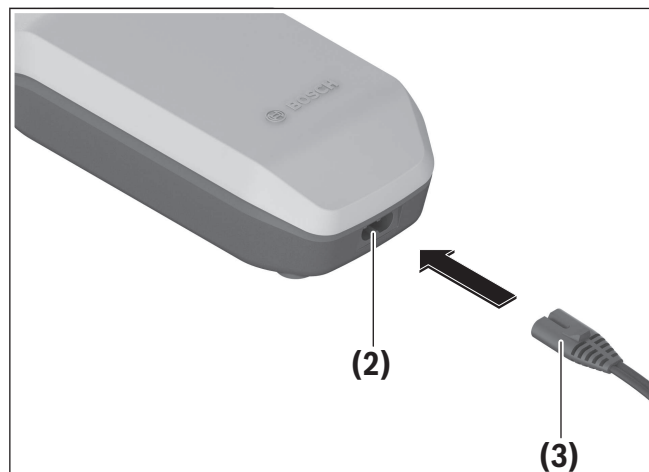
Référence		1 270 020 343
Tension nominale – Câble	V~	300
Tension nominale – Connecteur	V~	125
Courant nominal – Connecteur	A	10
Matériau – Câble		PVC
Norme de sécurité – Câble		UL 62
Norme de sécurité – Connecteur		UL 817
Longueur approx.	ft	6

En matière de compatibilité électromagnétique (CEM), le chargeur est considéré comme un appareil de table.

Fonctionnement

Mise en marche

Raccordement du chargeur au réseau électrique



(2) Prise du chargeur

(3) Connecteur du chargeur

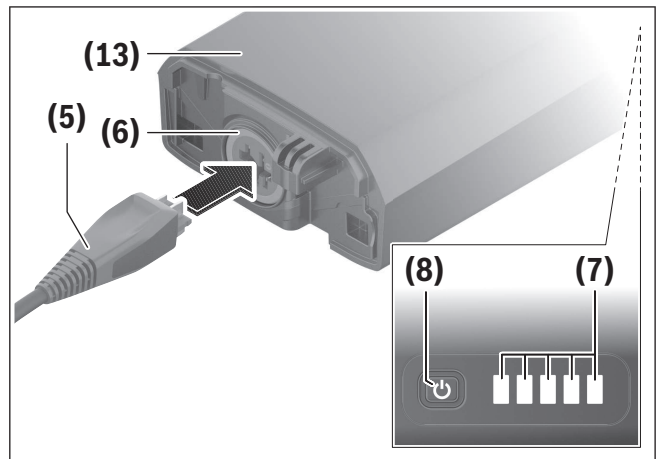
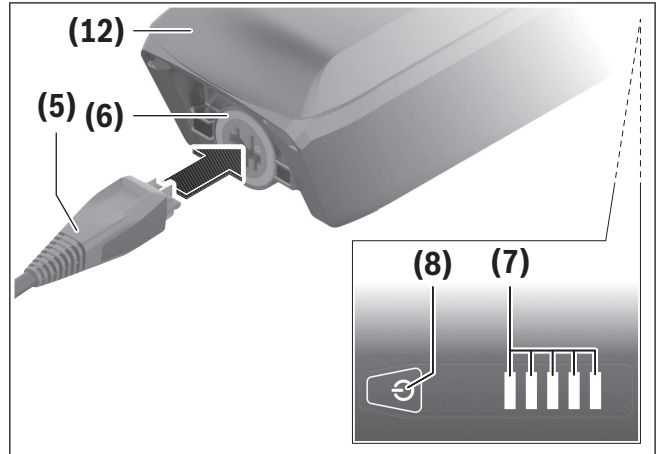
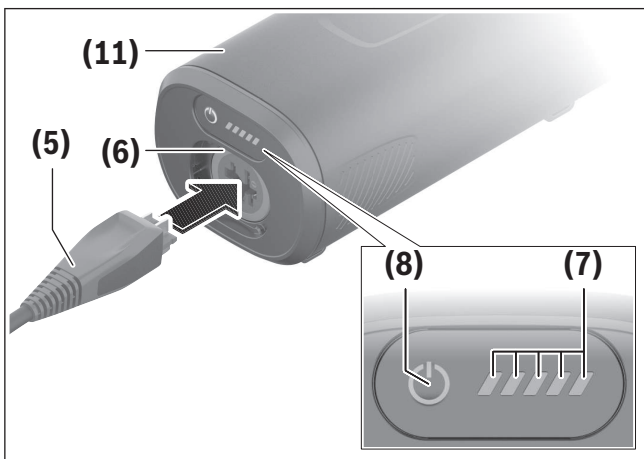
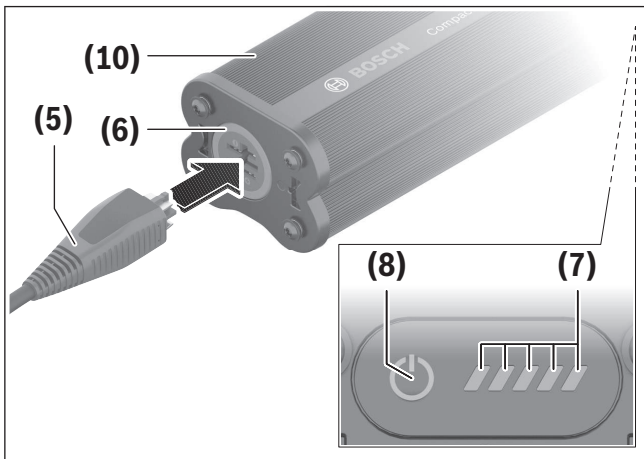
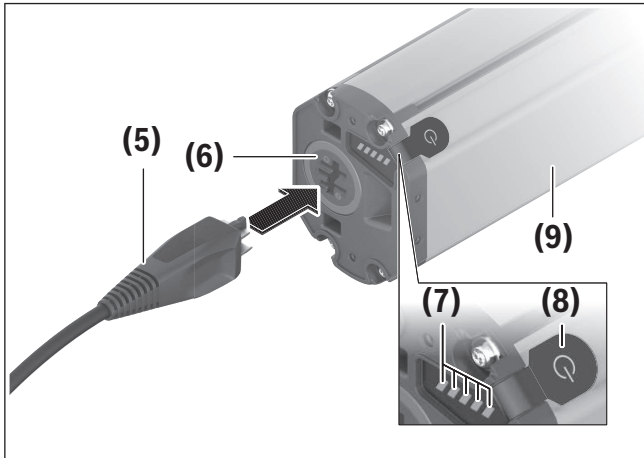
- **Respectez la tension du secteur !** La tension du réseau d'alimentation doit correspondre aux données indiquées sur la plaque signalétique du chargeur de batterie.

Reliez le connecteur (3) du câble secteur à la prise (2) du chargeur.

Raccordez le câble secteur (peut différer selon les pays) à une prise secteur.

Utilisez uniquement le câble d'alimentation secteur standard fourni ((3) sur le diagramme) pour le branchement à une prise électrique domestique.

Recharge de la batterie de VAE en dehors du vélo



- (5) Câble de charge
- (6) Prise de charge
- (7) Indicateur de fonctionnement et d'état de charge
- (8) Touche Marche/Arrêt de la batterie de VAE
- (9) PowerTube
- (10) CompactTube
- (11) PowerMore
- (12) PowerPack
- (13) Batterie de porte-bagages

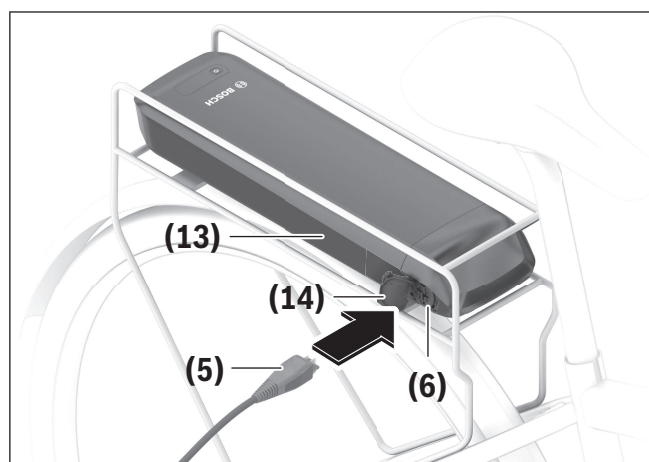
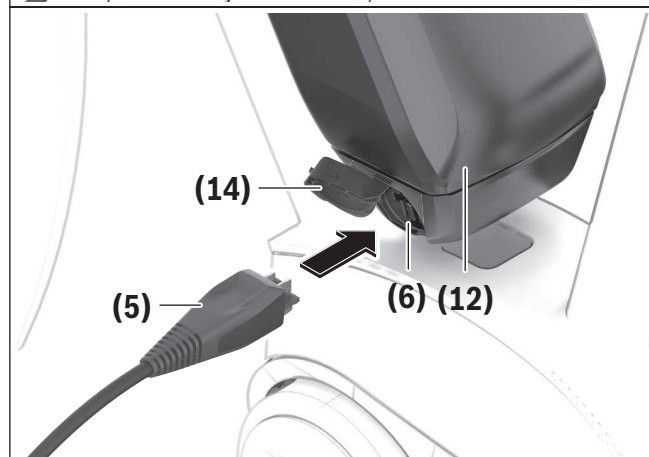
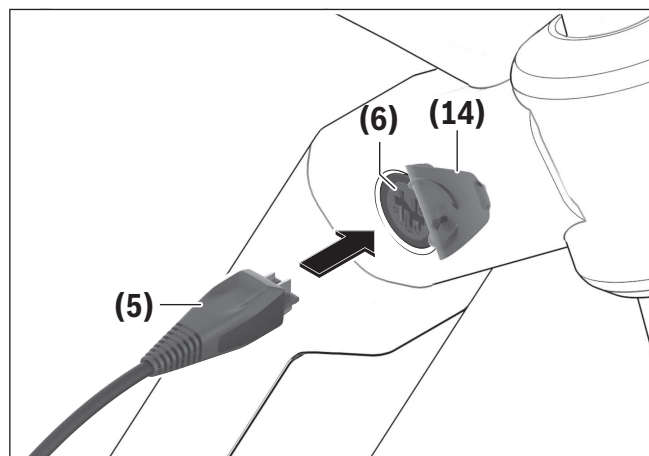
Éteignez la batterie de VAE et retirez-la de sa fixation sur le vélo électrique. Lisez et observez la notice d'utilisation de la batterie de VAE.

► **Ne posez la batterie de VAE que sur des surfaces propres.** Évitez tout encrassement de la prise de

charge et des contacts électriques, par ex. par du sable ou de la terre.

Insérez le câble de charge (5) du chargeur dans la prise de charge (6) de la batterie de VAE.

Recharge de la batterie de VAE sur le vélo



(5) Câble de charge

(6) Prise de charge

(14) Cache de la prise de charge

(12) PowerPack

(13) Batterie de porte-bagages

Éteignez la batterie de VAE. Nettoyez le cache de la prise de charge (14). Évitez tout encrassement de la prise de charge et des contacts électriques, par ex. par du sable ou de la terre. Ouvrez le cache de la prise de charge (14) et raccordez le câble de charge (5) à la prise de charge (6).

► **L'échauffement du chargeur pendant la charge crée un risque d'incendie. Ne chargez les batteries de VAE que sur un vélo sec et dans un endroit où tout risque d'incendie est exclu.** En cas de doute, retirez la batterie de VAE de son support sur le vélo et chargez-la à un endroit approprié. Lisez et observez la notice d'utilisation de la batterie de VAE.

Charge normale

La charge débute dès que le chargeur est connecté à la batterie de VAE ou à la prise de charge du vélo électrique et au réseau d'alimentation électrique.

Remarque : Pour qu'une charge soit possible, il faut que la température de la batterie du VAE se trouve dans la plage de températures de charge admissible.

Remarque : Pendant la durée de la charge, l'unité d'entraînement est désactivée.

La recharge de la batterie de VAE peut s'effectuer avec ou sans ordinateur de bord. Quand l'ordinateur de bord est déconnecté, la progression de la charge peut être observée sur l'indicateur d'état de charge de la batterie (7) et, si existante, sur la commande déportée.

Quand un ordinateur de bord est connecté, un message s'affiche sur l'écran.

Le niveau de charge est indiqué par l'indicateur d'état de charge (7) de la batterie de VAE, sur la commande déportée et sur l'ordinateur de bord (si connecté).

Pendant la charge, les LED de l'indicateur d'état de charge **(7)** de la batterie de VAE s'allument. Chaque LED allumée correspond à environ 20 % de la charge totale. La LED qui clignote indique la charge des 20 % suivants.

Une fois que la batterie du VAE est complètement chargée, les LED ainsi que l'ordinateur de bord s'éteignent. La charge est terminée. En cas d'actionnement de la touche Marche/Arrêt **(8)** de la batterie de VAE, le niveau de charge s'affiche pendant **5** secondes.

Déconnectez le chargeur de la prise secteur et la batterie de VAE du chargeur.

La batterie de VAE s'éteint automatiquement au moment où elle est déconnectée du chargeur.

Remarque : Si la recharge a été effectuée sur le vélo électrique, refermez ensuite avec précaution le cache **(14)** de la prise de charge **(6)** afin d'éviter toute pénétration de saletés ou d'eau.

Si vous ne déconnectez pas la batterie de VAE du chargeur au terme de la charge, le chargeur se rallume automatiquement au bout de quelques heures afin de vérifier le niveau de charge de la batterie de VAE. Il se remet si nécessaire à charger.

Maintenance/nettoyage

AVERTISSEMENT

- ▶ **N'ouvrez aucun élément. L'entretien doit uniquement être effectué par un revendeur eBike Bosch autorisé.** Le fait de ne pas respecter l'avertissement ci-dessus peut entraîner des blessures graves ou mortelles. Reportez-vous au manuel de votre vélo ou au manuel de l'élément pour tous les éléments ne faisant pas partie du système d'entraînement Bosch.
- ▶ **Ne plongez pas vos composants eBike dans l'eau et ne les lavez pas avec un pulvérisateur haute pression.** Votre unité d'entraînement Bosch est conçue pour être étanche à l'eau de pluie ou à un tuyau d'arrosage sans pression.
- ▶ **Ne peignez aucun élément du système d'entraînement Bosch car cela peut entraîner une défaillance prématurée de l'élément.**




Service après-vente et conseil utilisateurs

Pour toutes les questions concernant votre vélo électrique et ses éléments, adressez-vous à un vélociste agréé.

Vous trouverez les données de contact de vélocistes agréés sur le site internet www.bosch-ebike.com.

Si la batterie de VAE ne fonctionne plus, adressez-vous à un revendeur de VAE agréé.

Résolution des problèmes

Cause	Remède
 <p>Batterie défectueuse</p>	<p>Deux LED de la batterie de VAE clignotent. Adressez-vous à un revendeur de VAE agréé.</p>
 <p>La batterie est trop chaude ou trop froide</p>	<p>Trois LED de la batterie de VAE clignotent. Déconnectez la batterie de VAE du chargeur jusqu'à ce qu'elle revienne dans la plage de températures de charge admissible. Ne rebranchez la batterie de VAE au chargeur qu'une fois qu'elle se trouve à nouveau dans la plage de températures admissible.</p>
 <p>Le chargeur ne charge pas.</p>	<p>Aucune LED ne clignote (selon le niveau de charge de la batterie, une ou plusieurs LED sont allumées en permanence). Adressez-vous à un revendeur de VAE agréé.</p>
<p>Recharge impossible (pas d'affichage sur la batterie de VAE)</p>	
<p>Le câble n'est pas correctement branché</p>	<p>Contrôlez tous les connecteurs.</p>
<p>Contacts de la batterie de VAE encrassés</p>	<p>Nettoyez avec précaution les contacts électriques de la batterie de VAE.</p>
<p>Prise de courant, câble ou chargeur défectueux</p>	<p>Vérifiez la tension du secteur, faites contrôler le chargeur par un revendeur de VAE.</p>
<p>Batterie de VAE défectueuse</p>	<p>Adressez-vous à un revendeur de VAE agréé.</p>

Programme de recyclage des accus



La Drive Unit, l'ordinateur de bord, la commande déportée, la batterie VAE, le capteur de vitesse, les accessoires et l'emballage doivent être rapportés à un centre de recyclage respectueux de l'environnement.

Ne jetez pas les systèmes eBike et leurs éléments constitutifs dans les ordures ménagères !



Pour recycler votre batterie Bosch, appelez le 1.800.822.8837.

Índice

Introducción	2
Acerca de las advertencias	2
Advertencias generales	2
Utilización de sus Instrucciones de servicio	3
Etiquetas de advertencia en el producto cargador	4
Funcionamiento del cargador	5
Instrucciones de seguridad	5
Descripción del producto y especificaciones	7
Operación	9
Mantenimiento/Limpieza	12
Resolución de problemas	13
Programa de reciclaje de baterías	14

Introducción

Acerca de las advertencias

Este manual contiene muchos **PELIGROS**, **ADVERTENCIAS**, y **PRECAUCIONES** sobre las consecuencias de una falta de uso, montaje, mantenimiento, almacenamiento, inspección y eliminación de una eBike equipada por Bosch de modo seguro.

- La combinación del símbolo de alerta de seguridad y la palabra **PELIGRO** indica una situación peligrosa que, si no se evita, ocasionará la muerte o lesiones graves.

- La combinación del símbolo de alerta de seguridad y la palabra **ADVERTENCIA** indica una situación peligrosa que, si no se evita, podría provocar la muerte o lesiones graves.
- La combinación del símbolo de alerta de seguridad y la palabra **PRECAUCIÓN** indica una situación peligrosa que, si no se evita, podría ocasionar lesiones leves o moderadas.

Advertencias generales



Lea íntegramente todas las indicaciones de seguridad e instrucciones. No seguir las advertencias e instrucciones siguientes puede provocar la muerte o lesiones graves.

Guarde todas las indicaciones de seguridad e instrucciones para posibles consultas futuras.

El término **Acumulador para eBike** utilizado en estas instrucciones de servicio se refiere a todos los acumuladores originales para eBike de Bosch de la generación del sistema **the smart system (el smart system)**.

- ▶ **Lea TODOS los manuales incluidos antes de montar en la bicicleta por primera vez.** Su sistema de accionamiento de Bosch incluye manuales y documentación adicionales proporcionados por el fabricante de la bicicleta y de otros componentes. No leer o desconocer la información de seguridad puede provocar la muerte o lesiones graves.

ADVERTENCIA

- ▶ **Este manual contiene información importante de seguridad, rendimiento y mantenimiento.** Léalo antes de usar su nueva bicicleta y guárdelo a modo de referencia. Puede encontrar el manual también en línea en www.bosch-ebike.com.

- ▶ **Este manual está previsto para su lectura junto con el manual de usuario aparte que venía con su bicicleta.** Antes de usar la bici por primera vez, asegúrese de leer toda la documentación facilitada, incluidas las etiquetas que lleva el producto.
- ▶ **Por su propia SEGURIDAD, sea responsable.** Si tiene dudas o no entiende algo, consúltelo con su distribuidor o con el fabricante de la bicicleta o del componente.
- ▶ **Algunos accesorios de la eBike pueden suponer un peligro de atragantamiento para los niños pequeños.** Mantenga esos accesorios alejados de los niños.

PRECAUCIÓN

- ▶ **El sistema de accionamiento de Bosch incrementa el peso de su bicicleta, que puede que no esté acostumbrado a levantar.** Evite las lesiones; utilice técnicas de elevación adecuadas.

Utilización de sus Instrucciones de servicio

Además de las funciones aquí representadas, puede ser que se introduzcan en cualquier momento modificaciones de software para la eliminación de errores y modificaciones de funciones.

Gráficos

La bicicleta que se muestra en este manual puede diferir ligeramente de la suya; no obstante, las similitudes son suficientes para ayudarle a entender nuestras instrucciones.

Los lados DERECHO e IZQUIERDO se indican mirando en el sentido que la bicicleta tendrá al circular hacia delante. Si ve una línea discontinua (-----), el elemento al que se refiere está oculto a la vista.

Etiquetas de advertencia en el producto cargador

A

eBike Battery Charger BPC3210
2A Charger
EB12.110.018




Input: 100-120V~ 50-60 Hz 1.7A
Output: 36V== 2A
Made in China
Robert Bosch GmbH
72757 Reutlingen, Germany

This device complies with part 15 of the FCC Rules. Operation is subject to the following two conditions: (1) This device may not cause harmful interference, and (2) this device must accept any interference received, including interference that may cause undesired operation.

⚠ WARNING For safe operation see manual. Risk of electric shock. Indoor use only. Charge only batteries of the Bosch eBike Systems. Other batteries may burst causing personal damage. Do not replace the plug assembly as risk of fire or electric shock may result.

⚠ ADVERTENCIA Para un funcionamiento con seguridad, ver el manual Peligro de sacudida eléctrica. Utilice solamente en lugares secos. Cargar únicamente baterías de sistemas eBike de Bosch. Otras baterías podrían reventar, causando lesiones personales y daños. No reemplace el ensamblaje del enchufe, ya que el resultado puede ser riesgo de incendio o sacudidas eléctricas.

⚠ AVERTISSEMENT Pour un fonctionnement sûr, reportez-vous au manuel. Risque de choc électrique. Utiliser en lieu sec uniquement. A utiliser uniquement avec les batteries des systèmes d'assistance électrique eBike de Bosch. D'autres batteries risqueraient d'éclater et de causer des blessures corporelles et des dommages. Ne pas remplacer la connectique car un risque d'incendie ou de choc électrique pourrait en résulter.

CAN ICES-002(B) / NMB-002(B)

USE ONLY with BOSCH Li-Ion batteries

B

eBike Battery Charger BPC3410
4A Charger
EB12.110.000




Input: 100-120 V~ 50-60 Hz 3.2 A
Output: 36 V== 4 A BFP
CAN ICES-002(B) / NMB-002(B)
Made in Vietnam
Robert Bosch GmbH
72757 Reutlingen, Germany

This device complies with part 15 of the FCC Rules. Operation is subject to the following two conditions:
(1) This device may not cause harmful interference, and
(2) this device must accept any interference received, including interference that may cause undesired operation.

⚠ WARNING For safe operation see manual. Risk of electric shock. Indoor use only. Charge only Li-ion batteries of the Bosch eBike Systems. Other batteries may burst causing personal damage. Do not replace the plug assembly as risk of fire or electric shock may result.

⚠ ADVERTENCIA Para un funcionamiento con seguridad, ver el manual Peligro de sacudida eléctrica. Utilice solamente en lugares secos. Cargar únicamente Li-ion baterías de sistemas eBike de Bosch. Otras baterías podrían reventar, causando lesiones personales y daños. No reemplace el ensamblaje del enchufe, ya que el resultado puede ser riesgo de incendio o sacudidas eléctricas.

⚠ AVERTISSEMENT Pour un fonctionnement sûr, reportez-vous au manuel. Risque de choc électrique. Utiliser en lieu sec uniquement. A utiliser uniquement avec les batteries Li-ion des systèmes d'assistance électrique eBike de Bosch. D'autres batteries risqueraient d'éclater et de causer des blessures corporelles et des dommages. Ne pas remplacer la connectique car un risque d'incendie ou de choc électrique pourrait en résulter.

A 2A Charger

B 4A Charger

En la parte inferior del cargador (marcada con el número **(4)** en la figura de la página de gráficos) hay una versión abreviada de las advertencias de seguridad en inglés, francés y español con el contenido siguiente:

- Consulte el manual para garantizar funcionamiento seguro.
- Riesgo de descarga eléctrica
- Solo para uso en interiores
- Cargue únicamente baterías del sistema eBike de Bosch. Otras baterías podrían explotar y provocar daños personales.
- No reemplace el conjunto de conexión ya que podría producirse un incendio o descarga eléctrica.

0 275 U07 3CX | (21.03.2023)

Bosch eBike Systems

Funcionamiento del cargador

Instrucciones de seguridad

INSTRUCCIONES DE SEGURIDAD IMPORTANTES.

CONSERVE ESTAS INSTRUCCIONES –

Este manual contiene instrucciones de seguridad y de funcionamiento importantes para este cargador de batería.

- ▶ Antes de utilizar el cargador de batería, lea todas las instrucciones y medidas de protección incluidas en el cargador de batería, en la batería y el producto que utiliza la batería.

PRECAUCIÓN

- ▶ **Para evitar el riesgo de daños, cargue únicamente baterías del sistema eBike de Bosch.** Otras baterías podrían explotar y provocar lesiones y daños personales.



- ▶ **Lea y conozca todas las indicaciones de seguridad y las instrucciones.** No seguir las advertencias siguientes puede provocar la muerte o lesiones graves.

Guarde todas las indicaciones de seguridad e instrucciones para posibles consultas futuras.

El término **Cargador** utilizado en estas instrucciones de servicio se refiere a todos los cargadores de Bosch de la generación del sistema **the smart system (el smart system)**.

El término **Acumulador para eBike** utilizado en estas instrucciones de servicio se refiere a todos los acumuladores originales para eBike de Bosch de la generación del sistema **the smart system (el smart system)**.

- ▶ **Lea y siga todas las indicaciones de seguridad e instrucciones de todos los manuales de uso del sistema eBike, así como las instrucciones de uso de su eBike.**

PELIGRO

- ▶ **Cargue las baterías de iones de litio para eBikes de Bosch solo con cargadores aprobados para eBikes de Bosch. La tensión de la batería debe coincidir con la tensión de carga del cargador.** De lo contrario, existe riesgo de incendio y explosión.
- ▶ **Tras la carga en la eBike, cierre con cuidado la toma de carga con la cubierta.** Así se garantiza que no penetre ninguna suciedad ni agua.



Mantenga el cargador alejado de la lluvia o la humedad. La penetración de agua en el cargador comporta un mayor riesgo de electrocución.

ADVERTENCIA

- ▶ **Utilice únicamente el cargador de batería de Bosch suministrado con su eBike u otro autorizado para su eBike por el fabricante y comprado de una fuente de confianza.** Prescindir del cargador de la batería o utilizar un cargador no aprobado o falso, puede provocar la muerte o lesiones graves.
- ▶ **No cargue ni utilice la eBike en lugares con una atmósfera potencialmente explosiva, como gasolineras, ni en zonas en las que el aire contenga productos químicos o partículas (como semillas, polvo o polvo de metales).** Obedezca todas las señales e instrucciones.
- ▶ **Mantenga limpio el cargador de la batería.** La contaminación puede provocar el riesgo de descarga eléctrica. Límpielo únicamente con un paño húmedo (jabón suave/agua).
- ▶ **Antes de cualquier uso, compruebe el cargador, el cable y el enchufe. No utilice el cargador, si detecta daños. No abra el cargador.** Cargadores, cables y enchufes dañados comportan un mayor riesgo de electrocución.

- ▶ **No opere el cargador sobre superficies fácilmente inflamables (por ejemplo, papel, tejidos, etc.) o en un entorno inflamable.** Debido al calentamiento del cargador durante la carga, existe peligro de incendio.
- ▶ **Proceda con cuidado cuando toque el cargador durante el proceso de carga. Utilice guantes de protección.** El cargador puede llegar a calentarse fuertemente, especialmente si la temperatura ambiente es alta.
- ▶ **Si se daña la batería de la eBike o se utiliza de forma indebida, pueden salir vapores. En tal caso, busque un entorno con aire fresco y acuda a un médico si nota molestias.** Los vapores pueden irritar las vías respiratorias.
- ▶ **No debe dejarse cargando la batería de la eBike sin la debida vigilancia.**
- ▶ **Las baterías de eBikes no deben estar expuestas a golpes mecánicos.** Existe el riesgo de que la batería de la eBike se dañe.
- ▶ **Mantenga alejado el cargador de la batería de los niños.** De esta manera, los niños no podrán jugar con el cargador.
- ▶ **Las personas que no sean capaces de manejar el cargador de forma segura debido a sus limitaciones físicas, sensoriales o mentales, o por su falta de experiencia o conocimientos, solo podrán utilizarlo bajo supervisión o después de haber sido instruidas por una persona responsable.** De lo contrario, existe el riesgo de que se produzcan errores de manejo y lesiones.

INDICACIÓN: Este dispositivo cumple con la Parte 15 de las Normas de la FCC. La operación está sujeta a las siguientes dos condiciones:

1. Este dispositivo no debe causar interferencias dañinas, y

2. este dispositivo debe aceptar cualquier interferencia que se reciba, incluida la interferencia que pueda causar un funcionamiento no deseado.

INDICACIÓN: Los cambios o modificaciones realizados en este equipo no aprobados expresamente por Robert Bosch GmbH pueden anular la autorización de la FCC para operar este equipo.

NOTA: Este equipo ha sido probado y cumple con los límites para un dispositivo digital de Clase B, de conformidad con la Parte 15 de las Normas de la FCC. Estos límites están diseñados para proporcionar una protección razonable contra interferencias perjudiciales en una instalación residencial. Este equipo genera, utiliza y puede emitir energía de radiofrecuencia y, si no se instala y utiliza de acuerdo con las instrucciones, puede causar interferencias perjudiciales en las comunicaciones de radio. Sin embargo, no existe garantía de que no se produzcan interferencias en una instalación en particular. Si este equipo causa interferencias perjudiciales en la recepción de radio o televisión, lo cual puede determinarse encendiendo y apagando el equipo, se recomienda al usuario que intente corregir la interferencia mediante una o más de una de las siguientes medidas:

- Reorientar o reubicar la antena receptora.
- Aumente la separación entre el equipo y el receptor.
- Conecte el equipo a una toma de corriente en un circuito diferente al que está conectado el receptor.
- Diríjase al distribuidor o a un técnico de radio/TV experimentado para obtener ayuda.

Organismo responsable:

Bosch eBike Systems Americas

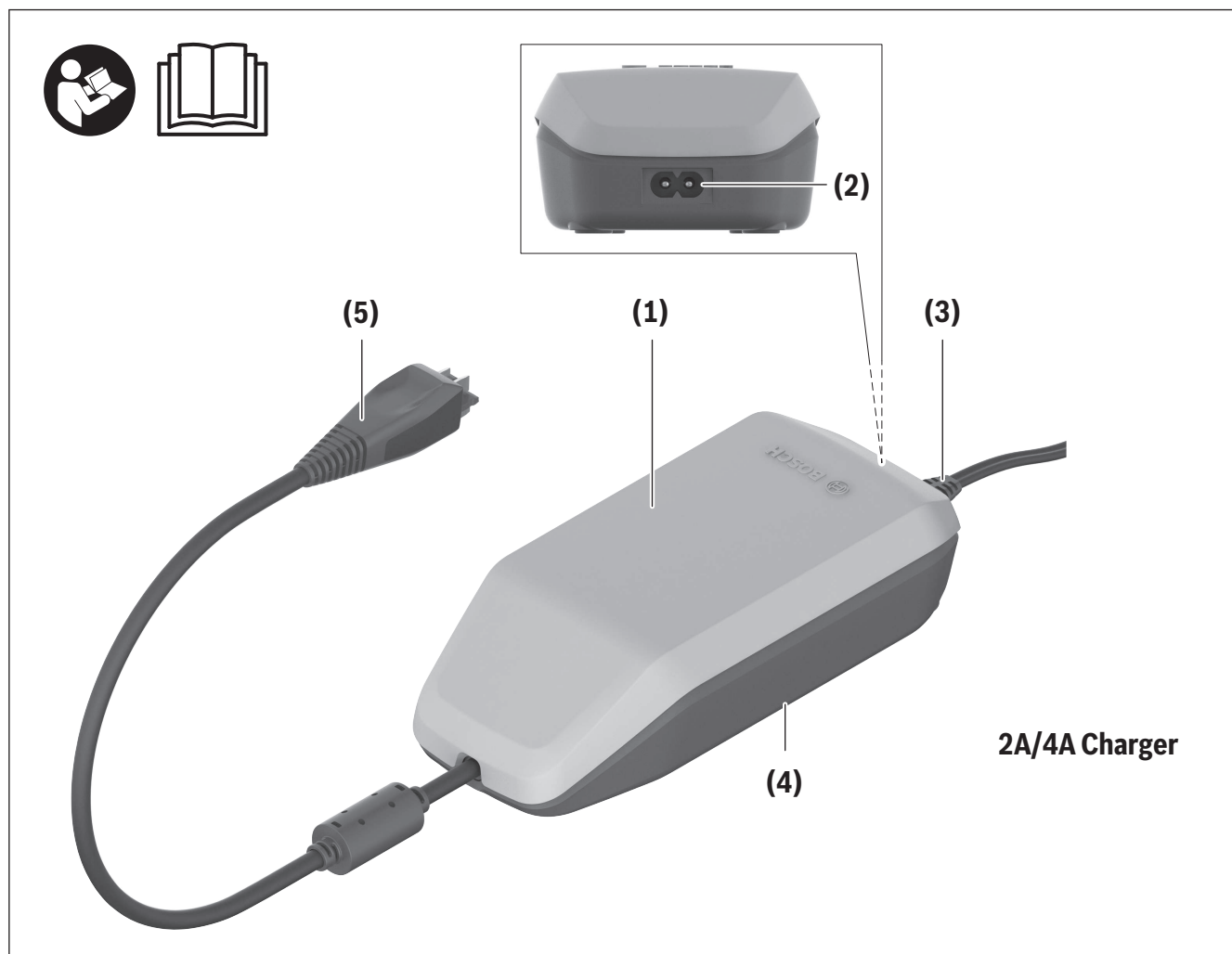
Robert Bosch LLC

27211 Burbank, Foothill Ranch, CA 92610, USA,

www.bosch-ebike.com/us/

Descripción del producto y especificaciones

Características del producto



Todas las representaciones de los componentes de la bicicleta, a excepción de las baterías y sus soportes, se muestran de manera esquemática y pueden diferir de su eBike.

- (1)** Cargador
- (2)** Conector hembra del aparato
- (3)** Enchufe del aparato
- (4)** Instrucciones de seguridad del cargador
- (5)** Conector del cargador

Utilización reglamentaria

Además de las funciones aquí representadas, puede ser que se introduzcan en cualquier momento modificaciones de software para la eliminación de errores y modificaciones de funciones.

Los cargadores para eBikes de Bosch están diseñados exclusivamente para cargar los acumuladores de

eBikes de Bosch y no deben utilizarse para ningún otro objetivo.

Los cargadores de eBike de Bosch aquí representados son compatibles con las baterías de eBike de Bosch de la nueva generación de sistema **the smart system (el smart system)**.

Datos técnicos

Cargador		2A Charger	4A Charger
Código de producto		BPC3210	BPC3410
Tensión de entrada	V~	100–120	100–120
Frecuencia	Hz	50–60	50–60
Tensión nominal de la batería	V=	36	36
Corriente de carga (máx.)	A	2	4
Tiempo de carga del PowerTube 750 aprox. ^{A)}	h	11	6
Tiempo de carga del PowerPack 400 aprox. ^{A)}	h	6	3,5
Temperatura de funcionamiento	°F	32 ... 104	32 ... 104
Temperatura de almacenamiento	°F	50 ... 104	50 ... 104
Peso, aprox.	lb	1,2	1,5
Grado de protección		IP40	IP40

A) Los tiempos de carga de otras baterías de eBike se pueden consultar en la página web: www.bosch-ebike.com.

Cable de red

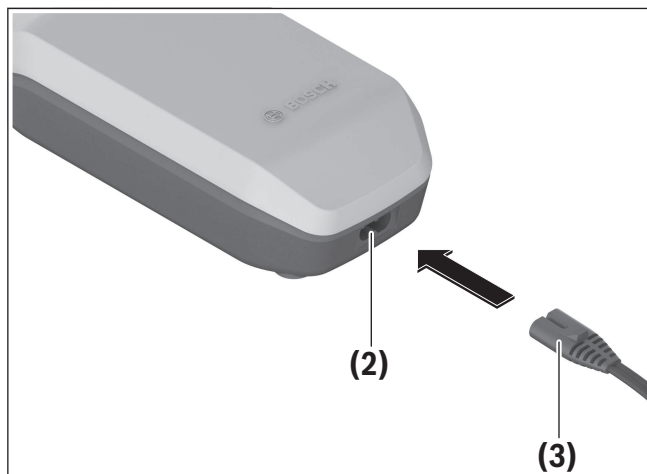
Número de artículo		1 270 020 343
Tensión nominal – Cable	V~	300
Tensión nominal – Conector/conectador enchufable	V~	125
Corriente nominal – Conector/conectador enchufable	A	10
Material – Cable		PVC
Estándar de seguridad – Cable		UL 62
Estándar de seguridad – Conector/conectador enchufable		UL 817
Longitud aprox.	ft	6

Desde el punto de vista de la compatibilidad electromagnética (EMV), el cargador está clasificado como un dispositivo de sobremesa.

Operación

Puesta en marcha

Conexión del cargador a la red eléctrica



(2) Conector hembra del aparato

(3) Enchufe del aparato

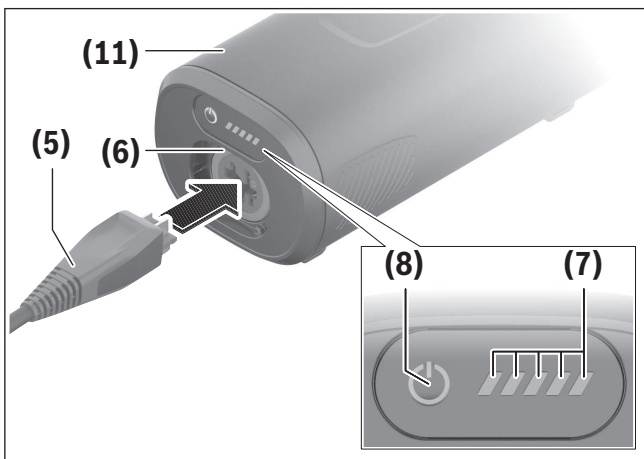
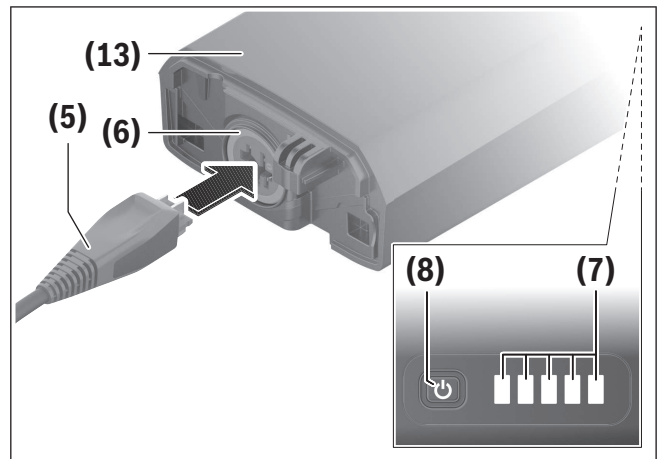
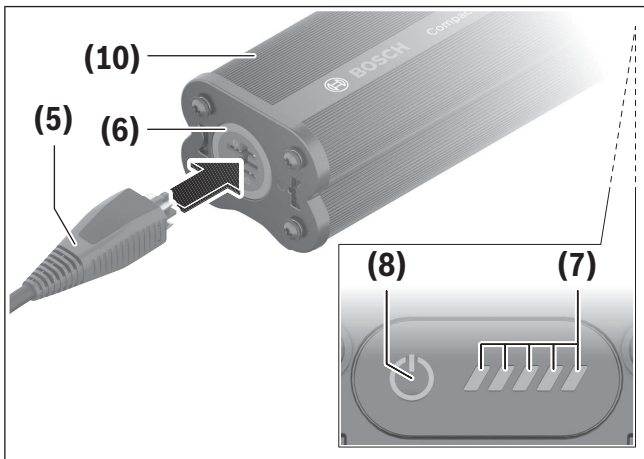
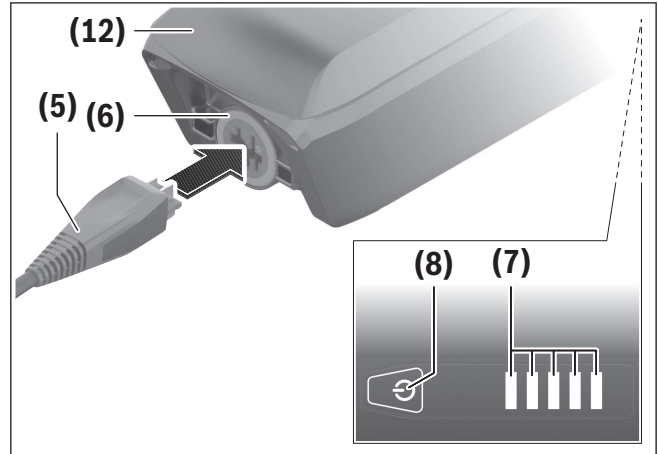
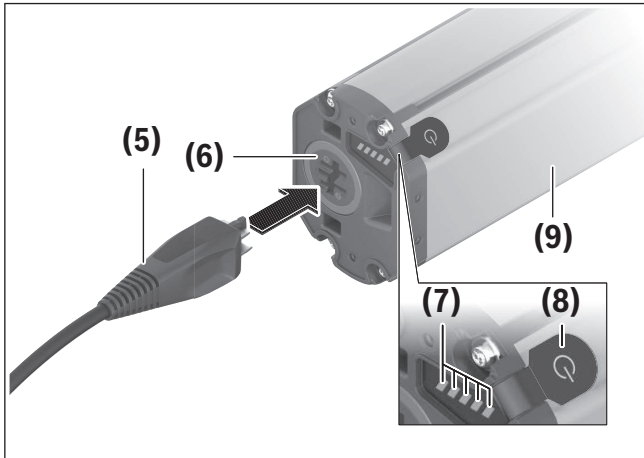
- **¡Tenga en cuenta el voltaje de la casa!** El voltaje del suministro debe corresponderse con las especificaciones que figuran en la placa de características del cargador de la batería.

Inserte el conector macho **(3)** del cable de red en el conector hembra **(2)** del cargador.

Conecte el enchufe (específico de cada país) a la red.

Utilice únicamente la conexión de entrada suministrada: cable de alimentación estándar CA (**(3)** en el diagrama) al conectarlo al suministro eléctrico de la casa.

Carga de la batería de la eBike extraída



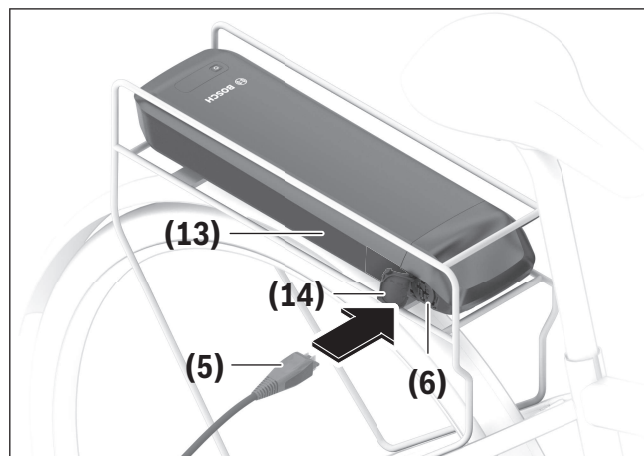
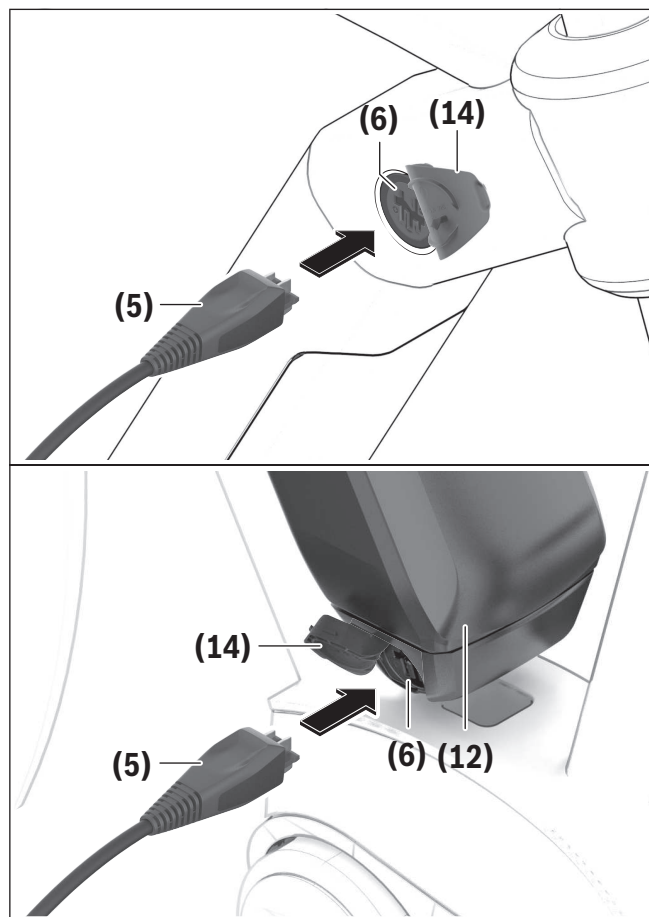
- (5) Conector del cargador
- (6) Toma para el cargador
- (7) Indicador del estado de funcionamiento y de carga
- (8) Tecla de conexión/desconexión de la batería de la eBike
- (9) PowerTube
- (10) CompactTube
- (11) PowerMore
- (12) PowerPack
- (13) Batería para portaequipajes

Desconecte la batería de la eBike y retírela del soporte de la eBike. Para ello, lea y atégase a las instrucciones de uso de la batería de la eBike.

- **Coloque la batería de la eBike solo sobre superficies limpias.** Ponga especial cuidado de no ensuciar el conector hembra para carga ni los contactos, p. ej. con arena o tierra.

Inserte el conector macho **(5)** del cargador en la toma de carga **(6)** de la batería de la eBike.

Carga de la batería de la eBike en la eBike



- (5)** Conector del cargador
- (6)** Toma para el cargador
- (14)** Tapa de la toma de carga
- (12)** PowerPack
- (13)** Batería para portaequipajes

Desconecte la batería de la eBike. Limpie la cubierta del conector hembra para carga **(14)**. Ponga especial cuidado de no ensuciar el conector hembra para carga ni los contactos, p. ej. con arena o tierra. Levante la cubierta del conector hembra para carga **(14)** y conecte el conector macho para carga **(5)** al conector hembra para carga **(6)**.

- **Por causa del calentamiento del cargador durante la carga existe peligro de incendio. Cargue siempre las baterías de la eBike en lugares secos y protegidos contra incendios.** Si esto no fuese posible, extraiga la batería de la eBike del soporte y cárguela en un lugar más apropiado. Para ello, lea y atégase a las instrucciones de uso de la batería de la eBike.

Proceso de carga

El proceso de carga comienza en cuanto el cargador está conectado con la batería de la eBike o con el conector hembra para carga en la eBike y con la red eléctrica.

Indicación: El proceso de carga solamente puede realizarse, si la temperatura del acumulador de la eBike se encuentra en el rango de temperatura de carga permitido.

Indicación: Durante el proceso de carga se desactiva la unidad de accionamiento.

Es posible cargar la batería de la eBike con y sin ordenador de a bordo. Sin ordenador de a bordo, el proceso de carga puede observarse mediante el indicador del estado de carga de la batería **(7)** y, en caso necesario, mediante el cuadro de mandos.

Con un ordenador de a bordo conectado, aparecerá un mensaje correspondiente en la pantalla.

El estado de carga se indica mediante el indicador del estado de carga **(7)** de la batería de la eBike en el cuadro de mandos y, en caso necesario, mediante barras en el ordenador de a bordo.

Durante el proceso de carga están encendidos los LED del indicador del estado de carga **(7)** en la batería de la eBike. Cada LED permanentemente encendido equivale a un 20 % de la capacidad de carga. El LED parpadeante indica la carga del siguiente 20 %.

Cuando la batería de la eBike esté cargada por completo, los LED se apagan de inmediato y el ordenador de a bordo se desconecta. El proceso de carga finaliza. Pulsando la tecla de conexión/desconexión **(8)** en el acumulador de la eBike se puede visualizar el estado de carga durante **5** segundos.

Desconecte el cargador de la red y la batería de la eBike del cargador.

Al desconectarla del cargador, la batería de la eBike se desconecta automáticamente.

Nota: Si ha realizado la carga en la eBike, una vez terminado el proceso de carga cierre con cuidado el conector hembra para carga **(6)** con la cubierta **(14)** para que no entre suciedad ni agua.

En caso de no desconectar el cargador de la batería de la eBike tras la carga, el cargador se vuelve a encender transcurridas unas horas para comprobar el estado de carga de la batería de la eBike y comenzar de nuevo la carga si fuese necesario.

Mantenimiento/Limpieza

ADVERTENCIA

- ▶ **No abra ninguno de los componentes. El mantenimiento debe llevarse a cabo exclusivamente por parte de un distribuidor de eBike de Bosch autorizado.** El incumplimiento de la advertencia anterior puede causar la muerte o lesiones graves. Consulte su manual de la bicicleta o de aquellos componentes del sistema de accionamiento que no sean de Bosch.
- ▶ **No sumerja los componentes eBike en el agua ni los limpie con una manguera a presión.** El accionamiento de Bosch está diseñado para ser impermeable al agua de lluvia o a una limpieza con manguera sin presión.
- ▶ **No pinte los componentes del sistema de accionamiento de Bosch, ya que eso podría causar un fallo temprano de los mismos.**




Servicio técnico y atención al cliente

En caso de cualquier consulta sobre la eBike y sus componentes, diríjase a un distribuidor de bicicletas autorizado.

Los detalles de contacto de los distribuidores de bicicletas autorizados se pueden encontrar en el sitio web www.bosch-ebike.com.

Si la batería de su eBike ya no funciona, acuda a un distribuidor de bicicletas autorizado.

Resolución de problemas

Causa	Remedio
 <p>Batería de la eBike defectuosa</p>	<p>Parpadean dos LED en la batería de la eBike.</p> <p>Contactar con un distribuidor de bicicletas autorizado.</p>
 <p>Batería de la eBike demasiado caliente o fría</p>	<p>Parpadean tres LED en la batería de la eBike.</p> <p>Desconectar la batería de la eBike del cargador hasta que se alcance el rango de temperatura de carga.</p> <p>No conecte de nuevo la batería de la eBike al cargador hasta que haya alcanzado la temperatura de carga correcta.</p>
 <p>El cargador no carga.</p>	<p>No parpadea ningún LED (en función del estado de carga de la batería de la eBike se iluminan permanentemente uno o varios LED).</p> <p>Contactar con un distribuidor de bicicletas autorizado.</p>
<p>No es posible cargar (ninguna indicación en la batería de la eBike)</p>	
Enchufe introducido incorrectamente	Verificar todas las conexiones por enchufe.
Contactos de la batería de la eBike sucios	Limpiar con cuidado los contactos de la batería de la eBike.
Toma de corriente, cable o cargador defectuoso	Comprobar la tensión de la red; dejar revisar el cargador por parte del distribuidor de bicicletas.
Batería de la eBike defectuosa	Contactar con un distribuidor de bicicletas autorizado.

Programa de reciclaje de baterías



La unidad de accionamiento, el ordenador de a bordo incl. la unidad de mando, el acumulador para eBike, el sensor de velocidad, los accesorios y los embalajes deben reciclarse de forma respetuosa con el medio ambiente.

¡No arroje eBikes y sus componentes a la basura!



Puede reciclar su paquete de baterías de Bosch llamando al 1.800.822.8837.

Cette notice contient d'importantes informations sur la sécurité, les performances et l'entretien. Lisez-les et comprenez-les ainsi que les informations fournies par le fabricant de votre vélo avant d'utiliser le produit, et conservez-les pour référence ultérieure.

Owner's Manual – The Bosch Drive System LED Remote

BRC3600



Robert Bosch GmbH
72757 Reutlingen
Germany

www.bosch-ebike.com

0 275 U07 3RL (2021.09) T / 43

Este manual contiene información importante de seguridad, rendimiento y mantenimiento. Léalo y asegúrese de entenderlo junto con la información que le ha facilitado el fabricante de su bicicleta antes de usar el producto; guárdelo a modo de referencia.

en Original operating instructions
fr Notice d'utilisation d'origine
es Instrucciones de servicio originales

This manual contains important safety, performance and service information. Read and understand it along with the information provided to you by your bicycle manufacturer before using the product, and keep it for reference.



Table of contents

Introduction	2
About Warnings	2
General Warnings	2
Using your Manual	3
Operating the Control Unit	4
Safety instructions	4
Product description and specifications	7
Operation	8
Maintenance/cleaning	11
Troubleshooting	12
Less critical errors	12
Critical errors	12
Battery Recycling Program	13

Introduction

About Warnings

This manual contains many **DANGER**, **WARNING**, and **CAUTION** indicators concerning the consequences of failure to use, assemble, maintain, store, inspect and dispose of a Bosch-equipped eBike in a safe manner.

- The combination of the safety alert symbol and the word **DANGER** indicates a hazardous situation that, if not avoided, will result in death or serious injury.
- The combination of the safety alert symbol and the word **WARNING** indicates a hazardous situation that, if not avoided, could result in death or serious injury.
- The combination of the safety alert symbol and the word **CAUTION** indicates a hazardous situation that, if not avoided, could result in minor or moderate injury.

General Warnings



Read all safety warnings and all instructions. Failure to follow the warnings and instructions may result in death or serious injury.

Save all safety warnings and instructions for future reference.

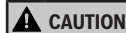
The term **battery pack** used in these operating instructions refers to all original Bosch eBike battery packs.



WARNING

- ▶ **This manual contains important safety, performance and service information.** Read it before you take the first ride on your new bicycle, and keep it for reference. The manual can also be found online at www.bosch-ebike.com.
- ▶ **This manual is intended to be read together with the separate user manual provided with your bicycle.** Be sure to read all provided documents including labels on the product before your first ride.
- ▶ **Read ALL accompanying manuals before riding the bike for the first time.** Your Bosch Drive System comes with additional manuals and documents provided by the manufacturer of the bicycle and other components. Failure to read and understand safety information can result in death or serious injury.

- ▶ **Take responsibility for your own SAFETY.** If you have any questions or do not understand something, consult with your dealer or the bicycle or component manufacturer.
- ▶ **Some eBike accessories may present a choking hazard to small children.** Keep these accessories away from children.



CAUTION

- ▶ **The Bosch Drive System adds weight to your bicycle which you may not be used to lift.** Avoid injury, use proper lifting techniques.

Using your Manual

In addition to the functions outlined here, changes to software relating to troubleshooting and functional modifications may be introduced at any time.

Graphics

The bicycle shown in this manual may differ slightly from your bicycle, but will be similar enough to help you understand our instructions.

RIGHT-HAND and LEFT-HAND sides are determined by facing in the direction the bicycle will travel when going forward. When you see a broken line (-----), the item referred to is hidden from view.

Operating the Control Unit

Safety instructions



Read all the safety information and instructions. Failure to observe the safety information and follow instructions may result in electric shock, fire and/or serious injury.

Save all safety warnings and instructions for future reference.

The term **battery pack** used in these operating instructions refers to all original Bosch eBike battery packs.

- ▶ **Do not attempt to fix display or remote control while riding!**
- ▶ **Do not activate push assistance function while riding on the bike.** Only use push assistance function when pushing the eBike.
- ▶ **The push assistance function must only be used when pushing the eBike.** There is a risk of injury if the wheels of the eBike are not in contact with the ground while using the push assistance.
- ▶ **When the push assistance is activated, the pedals may turn at the same time.** When the push assistance function is activated, make sure that there is enough space between your legs and the turning pedals to avoid the risk of injury.
- ▶ **Do not stand your bicycle upside down on its handlebars and saddle if the control unit or its holder protrude from the handlebars.** This may irreparably damage the control unit or the holder.
- ▶ **Do not connect a charger to the eBike system if the eBike system displays a critical error.** This may result in damage to your battery. The battery may catch fire, thereby resulting in serious burns and other injuries.
- ▶ **The control unit features a wireless interface. Local operating restrictions, e.g. in airplanes or hospitals, must be adhered to.**
- ▶ **Caution!** When using the control unit with *Bluetooth*[®], this may cause interference that affects other devices and systems, airplanes and medical devices (e.g. pacemakers, hearing aids). Similarly, the possibility that this may cause damage to humans and animals in the immediate vicinity cannot be completely excluded. Do not use the control unit with *Bluetooth*[®] in the vicinity of medical devices, gas stations, chemical plants, areas with a potentially explosive atmosphere or on blast sites. Do not use the control unit with *Bluetooth*[®] in airplanes. Avoid using the device in close proximity to your body over an extended period of time.
- ▶ The *Bluetooth*[®] word mark and logos are registered trademarks owned by Bluetooth SIG, Inc. and any use of such marks by Bosch eBike Systems is under licence.
- ▶ **Observe all national regulations which set out the approved use of eBikes.**
- ▶ **Read and observe the safety warnings and instructions in all operating instructions of the eBike system and your eBike.**

Safety warnings for charging the battery inside the remote control

- ▶ **Only charge the remote control with USB power source (5 V, 600 mA max) and USB cable rated at least 600 mA.** Using USB power source or USB cable not appropriately rated for the application may result in fire, explosion or personal injury.
- ▶ **Charge the remote control in temperatures above +32 degrees F (0 degrees C) and below +104 degrees F (40 degrees C). Store remote control in locations where temperatures will not exceed 104 degrees F (40 degrees C).** This is important to prevent serious damage to the battery in the remote control.

- ▶ **Do not expose remote control to fire or excessive temperature.** Exposure to fire or temperature above 212 °F (100 °C) may cause explosion.
- ▶ **Do not recharge the remote control (via USB port) in damp or wet environment.** Water entering remote control may result in electric shock or fire.
- ▶ **Never submerge remote control in fluid of any kind or allow fluid to enter them.** Corrosive or conductive fluid (such as seawater or industrial chemical or bleach containing products, etc.) can cause short circuit which may result in fire, personal injury and property damage.
- ▶ **Battery leakage may occur under extreme usage or temperature conditions. Avoid contact with skin and eyes.** The battery liquid is caustic and could cause chemical burns to tissues. If liquid comes in contact with skin, wash quickly with soap and water. If the liquid contacts your eyes, immediately flush eyes with water for a minimum of 15 minutes and seek medical attention.
- ▶ **Before each use, check the remote control, cable and plug.** If damage is detected, do not use the remote control. Damaged remote control, charging cables and plugs increase the risk of a fire, explosion and personal injury.
- ▶ **Do not disassemble remote control.** No user serviceable part inside. Incorrect reassembly or damage may result in fire or explosion.

NOTICE: This device complies with part 15 of the FCC Rules. Operation is subject to the following two conditions:

1. This device must not cause harmful interference, and
2. this device must accept any interference received, including interference that may cause undesired operation.

NOTICE: Changes or modifications made to this equipment not expressly approved by the Robert Bosch GmbH may void the FCC authorization to operate this equipment.

NOTE: This equipment has been tested and found to comply with the limits for a Class B digital device, pursuant to Part 15 of the FCC Rules. These limits are designed to provide reasonable protection against harmful interference in a residential installation. This equipment generates, uses and can radiate radio frequency energy and, if not installed and used in accordance with the instructions, may cause harmful interference to radio communications. However, there is no guarantee that interference will not occur in a particular installation. If this equipment does cause harmful interference to radio or television reception, which can be determined by turning the equipment off and on, the user is encouraged to try to correct the interference by one or more of the following measures:

- Reorient or relocate the receiving antenna.
- Increase the separation between the equipment and receiver.
- Connect the equipment into an outlet on a circuit different from that to which the receiver is connected.
- Consult the dealer or an experienced radio/TV technician for help.

Radiofrequency radiation exposure Information:

The radiated output power of the device is far below the FCC radio frequency exposure limits. Nevertheless, the device shall be used in such a manner that the potential for human contact during normal operation is minimized.

This equipment complies with FCC radiation exposure limits set forth for an uncontrolled environment. This equipment should be installed and operated with minimum distance of 20 cm between the radiator and your body. This transmitter must not be co-located or operating in conjunction with any other antenna or transmitter.

ISED Notice (Canada)

This device contains licence-exempt transmitter(s)/ receiver(s) that comply with Innovation, Science and Economic Development Canada's licence-exempt

RSS(s). Operation is subject to the following two conditions:

1. this device may not cause interference, and
2. this device must accept any interference, including interference that may cause undesired operation of the device.

This equipment complies with Canada radiation exposure limits set forth for an uncontrolled environment. This equipment should be installed and operated with minimum distance of 20 cm between the radiator and your body. This transmitter must not be co-located or operating in conjunction with any other antenna or transmitter.

Privacy notice

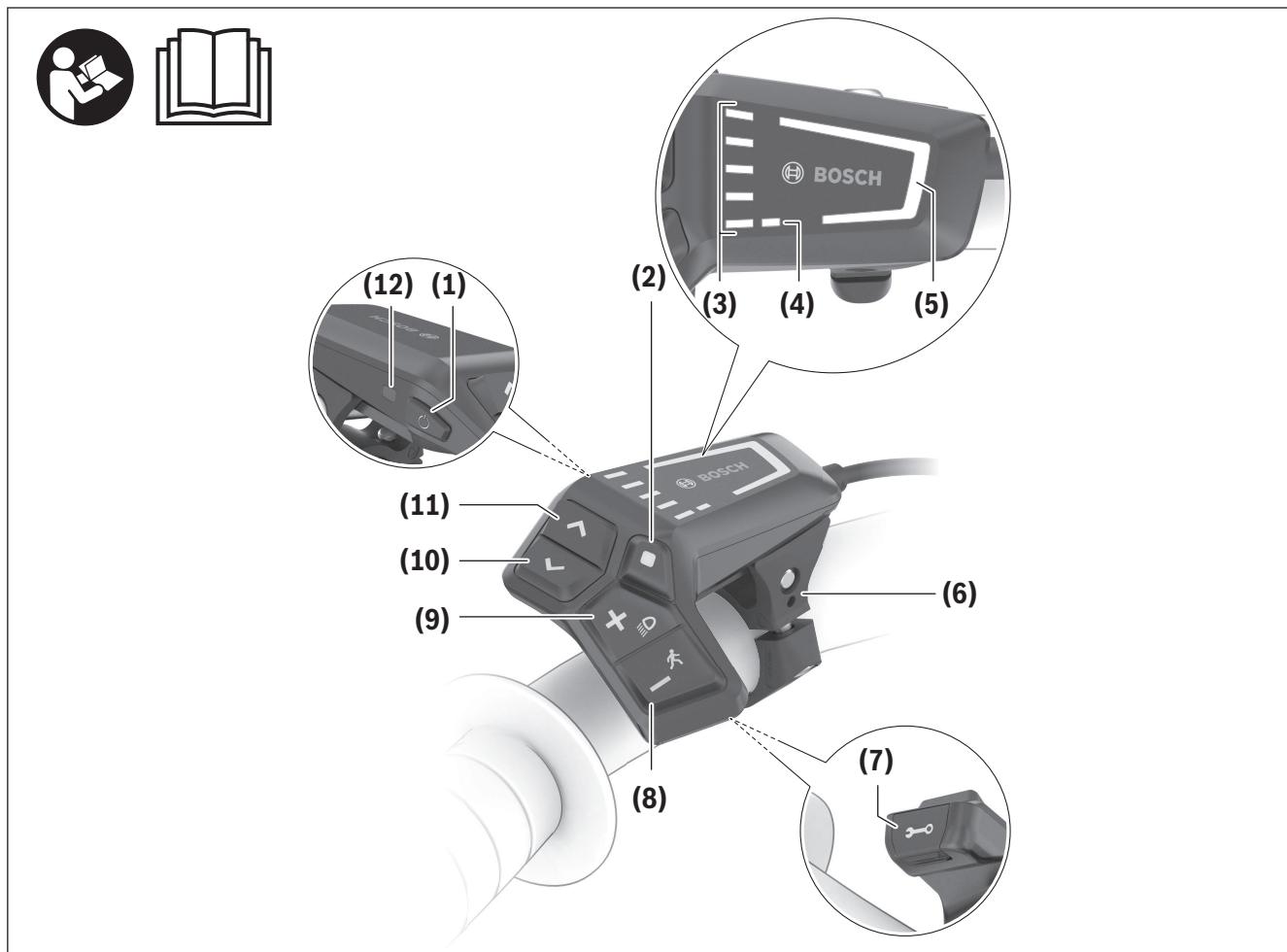
When you connect the eBike to the **Bosch DiagnosticTool 3**, data about Bosch drive unit (e.g. energy consumption, temperature, etc.) is transferred to Bosch eBike Systems (Robert Bosch GmbH) for the purposes of product improvement. You can find more information about this on the Bosch eBike website at www.bosch-ebike.com.

Product description and specifications

LED Remote product features

All illustrations of bike parts except for the drive unit, on-board computer including operating unit, speed

sensor and the corresponding holders are schematic and may differ on your eBike.



- (1)** On/off button
- (2)** Select button
- (3)** LEDs for battery charge indicator
- (4)** ABS LED (optional)
- (5)** Assistance level LED
- (6)** Holder
- (7)** Diagnostics connection (for servicing purposes only)
- (8)** Button for decreasing support level –/
walk assistance
- (9)** Button for increasing support level +/
bike lights
- (10)** Button to reduce brightness/
go back
- (11)** Button to increase brightness/
go forward
- (12)** Ambient light sensor

Intended use

The **LED Remote** control unit is designed to control a Bosch eBike system and control an on-board computer.

The **eBike Flow** app can be accessed via *Bluetooth®*.

Technical data

Control unit		LED Remote
Product code		BRC3600
Max. charging current of USB port	mA	600
USB port charging voltage	V	5
USB charging cable ^{A)}		USB Type-C ^{® B)}
Charging temperature	°F	32 to 104
Operating temperature	°F	23 to 104

Control unit		LED Remote
Storage temperature	°F	50 to 104
Diagnostic interface		USB Type-C ^{® B)}
Internal lithium-ion battery	V	3.7
	mAh	75
Protection rating		IP54
Dimensions (without fastening)	mm	74 × 53 × 35
Weight	oz	1
<i>Bluetooth® Low Energy 5.0</i>		
– Frequency	MHz	2400–2480
– Transmission power	mW	1

A) Not included as part of standard delivery

B) USB Type-C[®] and USB-C[®] are trademarks of USB Implementers Forum.

Operation

Prerequisites

The eBike system can only be activated when the following requirements are met:

- A sufficiently charged battery is inserted (see battery operating instructions).
- The speed sensor is connected properly (see drive unit operating instructions).

Control unit power supply

If a sufficiently charged eBike battery is inserted into the eBike and the eBike system is switched on, then the control unit battery is powered and charged by the eBike battery.

If the state of charge of the internal battery is very low, you can charge the internal battery via the diagnostics connection **(7)** with a USB Type C[®] cable using a power bank or another suitable power source (charging voltage **5 V**; charging current max. **600 mA**).

Always close the flap of the diagnostics connection **(7)** so that no dust or moisture can enter.

Switching the eBike system on/off

To **switch on** the eBike system, briefly press the on/off button **(1)**. After all LEDs briefly light up, the state of charge of the battery is displayed in color with the battery charge indicator **(3)** and the set assistance level with the **(5)** display. The eBike is ready to ride. The display brightness is controlled by the ambient light sensor **(12)**. Therefore, do not cover the ambient light sensor **(12)**.

The drive is activated as soon as you start pedaling (except at assistance level **OFF**). The motor output depends on the settings of the assistance level.

As soon as you stop pedaling when in normal operation, or as soon as you have reached a speed of **20 mph**, the eBike drive unit switches off the assistance. The drive is automatically re-activated as soon you start pedaling again and the speed is below **20 mph**.

To **switch off** the eBike system, press the on/off button **(1)** briefly (< 3 s). The battery charge indicator **(3)** and the assistance level LED **(5)** go out.

If no power is drawn from the eBike drive for about **10** minutes (e.g. because the eBike is not mov-

ing) and no button is pressed on the on-board computer or the control unit of the eBike, the eBike system will switch off automatically.

Battery charge indicator

The battery charge indicator **(3)** displays the eBike battery's state of charge. The state of charge of the eBike battery can also be checked on the LEDs of the battery itself.

In the **(3)** display, each ice-blue bar represents 20 % capacity and each white bar represents 10 % capacity. The topmost bar shows the maximum capacity.

Example: Four ice-blue bars and one white bar are displayed. The state of charge is between 81 % and 90 %.

If capacity is low, both of the lower displays change color:

Bar	Capacity
2 × orange	30 % to 21 %
1 × orange	20 % to 11 %
1 × red	10 % to reserve
1 × red flashing	Reserve to empty

If the eBike battery is being charged, the topmost bar on the battery charge indicator **(3)** flashes.

Setting the assistance level

On the control unit using the **(8)** and **(9)** buttons, you can set how much the eBike drive assists you while pedaling. The assistance level can be changed at any time, even while cycling, and is displayed in color.

Level	Color	Notes
OFF	None	Motor support is switched off. The eBike can just be moved by pedaling, as with a normal bicycle.
ECO	Green	Effective support with maximum efficiency, for maximum range
TOUR	Blue	Steady support, long range for touring
eMTB/SPORT	Purple	Optimal support whatever the terrain, rapid acceleration when start-

Level	Color	Notes
		ing from a standstill, improved dynamics and top performance
TURBO	Red	Maximum support even at a high cadence, for sport cycling

The designations and configuration of the assistance levels can be preconfigured by the manufacturer and selected by the bicycle retailer.

Interaction between the eBike system and gear-shifting

The gear shifting should be used with an eBike drive in the same way as with a normal bicycle (observe the operating instructions of your eBike on this point). Irrespective of the type of gear shifting, it is advisable that you briefly reduce the pressure on the pedals when changing gear. This will aid gear shifting and reduce wear on the powertrain.

By selecting the correct gear, you can increase your speed and range while applying the same amount of force.

Switching bike lights on/off

Before starting each journey, check that your bike lights are working correctly.

To **switch on** the bike lights, press the **(9)** button for more than 1 s.

You can use the **(11)** and **(10)** buttons to control the brightness of the LEDs on the control unit.

Switching the push assistance on/off

The push assistance aids you when pushing your eBike. The speed of this function depends on the selected gear and can reach a maximum of **3.7 mph**. The lower the selected gear, the lower the speed of the push assistance function (at full power).

► **The push assistance function must only be used when pushing the eBike.** There is a risk of injury if the wheels of the eBike are not in contact with the ground while using the push assistance.

To **start** walk assistance, press the **(8)** button for more than 1 s and keep it pressed. The battery

charge indicator **(3)** goes out and a white moving light in the direction of travel shows that it is ready.

To **activate** walk assistance, one of the following actions must occur within the next 10 s:

- Push the eBike forwards.
- Push the eBike backwards.
- Perform a sideways tilting movement with the eBike.

After activation, the motor begins to push and the continuously filling white bars change color to ice-blue.

If you release the **(8)** button, walk assistance is paused. You can reactivate walk assistance within 10 s by pressing the **(8)** button.

If you do not reactivate walk assistance within 10 s, walk assistance automatically switches off.

Walk assistance is always ended if:

- the rear wheel jams;
- the bicycle cannot move over ridges;
- a body part is blocking the bike crank;
- an obstacle continues to turn the crank;
- you start pedaling;
- the **(9)** button or on/off button **(1)** is pressed.

The push assistance function is subject to local regulations; the way it works may therefore differ from the description above. It can also be deactivated.

ABS – Anti-lock braking system (optional)

If the bicycle is equipped with a Bosch eBike ABS, the ABS LED **(4)** lights up when the eBike system starts.

If the eBike reaches a speed of **3.7 mph**, the ABS LED **(4)** goes out.

In the event of a fault, the ABS LED **(4)** lights up together with the orange flashing assistance level LED **(5)**. You can acknowledge the error with the select button **(2)**; the flashing assistance level LED **(5)** goes out. The ABS LED **(4)** continues to light up to show that the ABS system is not in operation.

For details on the ABS and how it works, please refer to the ABS operating instructions.

Establishing a smartphone connection

In order to be able to use the following eBike functions, a smartphone with the **eBike Flow** application is required.

Connection to the app occurs via a *Bluetooth®* connection.

Switch on the eBike system and do not start riding the eBike.

Begin *Bluetooth®* pairing by long pressing (> 3 s) the on/off button **(1)**. Release the on/off button **(1)** as soon as the topmost bar on the battery charge indicator shows the pairing process by flashing blue.

Confirm the connection request in the app.

Activity tracking

In order to record activities, it is necessary to register and log into the **eBike Flow** app.

To record activities, you must consent to the storage of your location data in the app. Without this, your activities cannot be recorded in the app. For location data to be recorded, you must be logged in as the user.

Software updates

Software updates are transferred from the app to the control unit in the background as soon as it is connected to the app. During the update process, a green flashing on the battery charge indicator **(3)** shows the progress. The system is then restarted.

You can control the software updates via the **eBike Flow** app.

Maintenance/cleaning

⚠ WARNING

- ▶ **Do not open any of the components. Service should only be carried out at an authorized Bosch eBike dealer.** Failure to follow above warning can cause death or serious injury. Refer to your bicycle manual or component manual for all non-Bosch drive system components.
- ▶ **Do not submerge your eBike components in water, or wash with pressurized hose.** Your Bosch drive unit is designed to be water tight to rain water or non-pressure hose washing.
- ▶ **Do not paint any components of the Bosch drive system as they may cause premature failure of the component.**

After-sales service and advice on using products

If you have any questions about the eBike system and its components, contact an authorized bicycle dealer. For contact details of authorized bike dealerships, please visit www.bosch-ebike.com.

Please contact an authorized bicycle dealer if the battery is no longer working.

Troubleshooting

The control unit shows whether critical errors or less critical errors occur in the eBike system.

The error messages generated by the eBike system can be read via the **eBike Flow** app or by your bicycle retailer.

Via a link in the **eBike Flow** app, information about the error and support for rectifying the error can be displayed.

Less critical errors

Less critical errors are shown by the assistance level LED **(5)** flashing orange. Pressing the select button **(2)** confirms the error and the assistance level LED **(5)** once again continuously shows the color of the set assistance level.

You can use the following table to rectify the errors yourself if necessary. Otherwise, please contact your bicycle retailer.

Number	Troubleshooting
0x523005	The indicated error numbers show that there is interference when the sensors detect the magnetic field. See whether you have lost the magnets while riding.
0x514001	
0x514002	
0x514003	If you are using a magnet sensor, check that the sensor and magnet have been properly installed. Make sure too that the cable to the sensor is not damaged.
0x514006	
	If you are using a rim magnet, make sure that you do not have any magnetic field interference in the vicinity of the drive unit.

Critical errors

Critical errors are shown by the assistance level LED **(5)** and the battery charge indicator **(3)** flashing red. In the event of a critical error, visit a bicycle retailer as soon as possible. **Do not connect a charger to the system.**

Battery Recycling Program



The drive unit, on-board computer incl. operating unit, battery, speed sensor, accessories and packaging should be disposed of in an environmentally correct manner.

Do not dispose of eBikes and their components with household waste.



You may recycle your Bosch battery pack by calling 1.800.822.8837.

Table des matières

Introduction	2
À propos des avertissements.....	2
Avertissements généraux.....	2
Utilisez votre notice d'utilisation	3
Utilisation de l'unité déportée.....	4
Consignes de sécurité	4
Description des prestations et du produit.....	7
Utilisation.....	8
Maintenance/nettoyage.....	11
Résolution des problèmes	13
Erreurs non critiques.....	13
Erreurs critiques.....	13
Programme de recyclage des accus.....	14

Introduction

À propos des avertissements

Cette notice contient de nombreuses mentions de danger de type **DANGER, AVERTISSEMENT** et **ATTENTION** destinées à attirer l'attention sur les conséquences d'erreurs, dans le but d'utiliser, d'assembler, d'entretenir, de conserver et d'éliminer dans les règles et en toute sécurité les vélos électriques dotés d'un système eBike Bosch.

– Le symbole de sécurité et le mot **DANGER** signalent une situation à risque élevé, qui entraîne inévitablement des blessures graves, voire la mort, si elle n'est pas évitée.

- Le symbole de sécurité et le mot **AVERTISSEMENT** signalent une situation à risque élevé, pouvant entraîner des blessures graves, voire la mort, si elle n'est pas évitée.
- Le symbole de sécurité et le mot **ATTENTION** signalent une situation à risque modéré pouvant entraîner des blessures légères ou modérées si elle n'est pas évitée.

Avertissements généraux



Lisez tous les avertissements de sécurité et toutes les instructions. Le fait de ne pas respecter les avertissements et les instructions peut entraîner des blessures graves ou mortelles.

Conservez tous les avertissements et toutes les instructions pour pouvoir s'y reporter ultérieurement.

Le terme **accu** utilisé dans la présente notice d'utilisation désigne un accu/une batterie d'eBike Bosch d'origine.

▲ AVERTISSEMENT

- ▶ **Cette notice contient d'importantes informations sur la sécurité, les performances et l'entretien.** Veuillez la lire avant d'utiliser votre vélo pour la première fois, et la conserver pour référence ultérieure. Vous pouvez également retrouver cette notice en ligne à l'adresse www.bosch-ebike.com.
- ▶ **Cette notice est destinée à être lue conjointement avec le manuel utilisateur séparé fourni avec votre vélo.** Assurez-vous de lire tous les documents fournis y compris les étiquettes apposées sur le produit avant la première utilisation.

- ▶ **Lisez TOUS les manuels et TOUTES les notices jointes avant d'utiliser votre vélo pour la première fois.** Votre système d'entraînement Bosch est livré avec d'autres manuels et documents fournis par le fabricant du vélo et des autres éléments. Ne pas lire ou ne pas comprendre les informations de sécurité peut entraîner des blessures graves ou mortelles.
- ▶ **Assumez la responsabilité de votre propre SÉCURITÉ.** En cas de question ou d'incompréhension, contactez votre revendeur ou le fabricant du vélo ou de l'élément.
- ▶ **Certains accessoires de l'eBike peuvent présenter un risque d'étouffement pour les petits enfants.** Conservez ces accessoires hors de portée des enfants.

▲ ATTENTION

- ▶ **Le système d'entraînement Bosch alourdit votre vélo. Vous n'avez peut-être pas l'habitude de le soulever.** Évitez de vous blesser en utilisant des techniques de levage appropriées.

Utilisez votre notice d'utilisation

Nous nous réservons le droit d'apporter à tout moment des modifications au logiciel pour corriger des erreurs ou pour modifier les fonctionnalités décrites dans la présente notice.

Graphiques

Le vélo illustré dans cette notice peut être légèrement différent de votre vélo, mais il est suffisamment similaire pour vous permettre de comprendre nos instructions.

Les côtés DROIT et GAUCHE sont déterminés en se plaçant en situation, dans le sens de la marche du vélo. Lorsqu'une ligne en pointillé (-----) apparaît, l'élément auquel il est fait référence n'est pas visible.

Utilisation de l'unité déportée

Consignes de sécurité



Lisez attentivement toutes les instructions et consignes de sécurité. Le non-respect des instructions et consignes de sécurité peut provoquer un choc électrique, un incendie et/ou entraîner de graves blessures.

Conservez tous les avertissements et toutes les instructions pour pouvoir s'y reporter ultérieurement.

Le terme **accu** utilisé dans la présence notice d'utilisation désigne un accu/une batterie d'eBike Bosch d'origine.

- ▶ **N'essayez pas de fixer l'écran ou l'unité de commande tout en roulant !**
- ▶ **N'activez pas l'assistance à la poussée pendant que vous roulez.** N'utilisez l'assistance à la poussée que pour pousser votre vélo électrique.
- ▶ **La fonction assistance à la poussée ne doit être utilisée que quand vous poussez le vélo électrique.** Les roues du vélo doivent être en contact avec le sol lorsque l'assistance à la poussée est utilisée, sans quoi vous risqueriez de vous blesser.
- ▶ **Quand l'assistance à la poussée est active, les pédales peuvent tourner toutes seules dans le vide.** Veillez à garder une distance suffisante entre vos jambes et les pédales lorsque l'assistance à la poussée est active. Il y a risque de blessure.
- ▶ **Ne posez pas le vélo à l'envers sur le guidon et la selle alors que l'unité de commande ou son support sont fixés au guidon.** L'unité de commande ou son support pourraient en être irrémédiablement endommagés.
- ▶ **Ne connectez pas un chargeur au système eBike si ce dernier signale une erreur critique.** Votre batterie pourrait alors être endommagée, prendre feu et provoquer des brûlures graves et d'autres blessures.
- ▶ **L'unité de commande est équipée d'une interface radio. Observez les restrictions d'utilisation locales en vigueur, par ex. dans les avions ou les hôpitaux.**
- ▶ **Attention !** En cas d'utilisation de l'unité de commande en mode *Bluetooth*[®], d'autres appareils et installations ainsi que les avions et les appareils médicaux (par ex. stimulateurs cardiaques, prothèses auditives) peuvent être perturbés. Les ondes émises peuvent aussi avoir un effet nocif sur les personnes et les animaux qui se trouvent à proximité immédiate de l'appareil. N'utilisez pas l'unité de commande en mode *Bluetooth*[®] à proximité d'appareils médicaux, de stations-service, d'usines chimiques, ou dans des zones à risque d'explosion ou des zones de dynamitage. N'utilisez pas l'unité de commande en mode *Bluetooth*[®] dans les avions. Évitez une utilisation prolongée très près du corps.
- ▶ Le nom de marque *Bluetooth*[®] et le logo associé sont des marques déposées de la Bluetooth SIG, Inc. Toute utilisation de cette marque/de ce logo par la société Bosch eBike Systems s'effectue sous licence.
- ▶ **Respectez toutes les réglementations nationales relatives à l'homologation et l'utilisation de vélos électriques.**
- ▶ **Lisez et respectez les consignes de sécurité et les instructions de toutes les notices d'utilisation du système eBike, ainsi que la notice d'utilisation de votre eBike.**

Avertissements de sécurité pour le chargement de la batterie de la télécommande

- ▶ **Ne rechargez la télécommande que via une source d'alimentation USB (5 V, 600 mA maxi) et un câble USB pour courant de charge d'au**

moins 600 mA. En cas d'utilisation d'une source d'alimentation USB ou d'un câble USB inadaptés, il y a risque d'incendie, d'explosion ou de blessures.

► **Rechargez l'unité de commande à des températures supérieures à +32 °F (0 °C) et inférieures à +104 °F (40 °C). Rangez et conservez l'unité de commande dans des endroits où la température n'excède pas 104 °F (40 °C).** Cela est important pour prévenir tout endommagement de l'accu de l'unité de commande.

► **N'exposez pas l'unité de commande à une source de chaleur ou à des températures excessives.** L'exposition à une source de chaleur (p. ex. flamme nue) ou à des températures supérieures à 212 °F (100 °C) risque de provoquer une explosion.

► **Ne rechargez pas l'unité de commande (via la prise USB) dans un environnement moite ou humide.** Toute pénétration d'eau dans l'unité de commande peut provoquer un incendie ou un choc électrique.

► **Ne plongez jamais l'unité de commande de bord dans un liquide quel qu'il soit et évitez à tout prix toute pénétration de liquide à l'intérieur.** Les liquides corrosifs ou conducteurs (eau de mer, produits chimiques, produits désinfectants type eau de Javel, etc.) peuvent provoquer des courts-circuits susceptibles de déclencher un incendie, causer des blessures ou entraîner des dommages matériels.

► **Dans des conditions d'utilisation ou à des températures extrêmes, l'accu risque de fuir. Évitez tout contact avec la peau et les yeux.** L'électrolyte de l'accu est caustique et risque de brûler la peau et les tissus. En cas de contact avec la peau, rincez abondamment avec de l'eau et du savon. En cas de contact avec les yeux, rincez immédiatement avec de l'eau pendant au moins 15 minutes et demandez une assistance médicale.

► **Contrôlez l'état de l'unité de commande, du câble et de la prise avant chaque utilisation.** N'utilisez plus l'unité de commande si vous consta-

tez un quelconque dommage. Un unité de commande, un câble de charge ou une prise qui ne sont pas en parfait état augmentent le risque d'incendie, d'explosion ou de blessure corporelle.

► **Ne démontez pas l'unité de commande.** Il ne comporte aucune pièce réparable ou remplaçable par l'utilisateur. Un remontage incorrect peut provoquer un incendie ou une explosion.

REMARQUE : Cet appareil est conforme à la partie 15 du règlement de la FCC. L'utilisation est autorisée sous réserve des deux conditions suivantes :

1. L'appareil ne doit pas produire de brouillage, et
2. l'utilisateur de l'appareil doit accepter tout brouillage radioélectrique subi, même si le brouillage est susceptible d'en compromettre le fonctionnement.

REMARQUE : Tous les changements et toutes les modifications apportés à cet équipement qui ne sont pas approuvés de façon explicite par Robert Bosch GmbH risquent d'annuler l'autorisation FCC d'utilisation de cet équipement.

REMARQUE : Cet équipement a été testé et déclaré conforme aux limites applicables aux appareils numériques de classe B, selon la section 15 de la réglementation FCC. Ces limites sont destinées à assurer une protection raisonnable contre les interférences nuisibles dans une installation résidentielle. Cet équipement génère, utilise et peut émettre de l'énergie radiofréquence qui, en cas d'installation et d'utilisation non conforme aux instructions, peut provoquer des interférences susceptibles de perturber les communications radio. Toutefois, rien ne garantit l'absence d'interférences dans une installation particulière. Si cet appareil produit des interférences perturbant la réception des programmes radio ou télévision (peut être mis en évidence en éteignant et rallumant l'appareil), il est conseillé à l'utilisateur d'essayer de réduire ces interférences en prenant l'une ou plusieurs des mesures suivantes :

- Modifier l'orientation ou l'emplacement de l'antenne réceptrice.
- Éloigner l'appareil du récepteur.

- Connecter l'appareil à une prise différente de celle dans laquelle est branché le récepteur.
- Demander conseil au fournisseur ou à un technicien spécialisé en radio/télévision.

Information sur l'exposition aux rayonnements radiofréquence : La puissance rayonnée par cet appareil est très inférieure aux limites d'exposition aux ondes radio définies par la FCC. Néanmoins, l'appareil doit être utilisé de façon à minimiser la possibilité de contact humain avec l'antenne en fonctionnement normal.

Cet équipement respecte les limites d'exposition aux rayonnements définies par FCC pour un environnement non contrôlé. Cet équipement doit être installé et utilisé en maintenant une distance minimale de 20 cm entre la source de rayonnement et votre corps. Cet émetteur ne doit pas être placé à proximité d'une autre antenne ou d'un autre émetteur ou être utilisé en combinaison avec n'importe quelle autre antenne ou émetteur.

Remarques ISDE (Canada)

Cet appareil contient un/des émetteur(s)/récepteur(s) exempt(s) de licence conforme(s) aux CNR d'Innovation, Sciences et Développement économique Canada applicables aux équipements exempts de licence. L'utilisation est autorisée sous réserve des deux conditions suivantes :

1. l'appareil ne doit pas produire de brouillage, et
2. l'appareil doit accepter tout brouillage radioélectrique subi, même si le brouillage est susceptible d'en compromettre le fonctionnement.

Cet équipement respecte les limites d'exposition aux rayonnements définies par le Canada pour un environnement non contrôlé. Cet équipement doit être installé et utilisé en maintenant une distance minimale de 20 cm entre la source de rayonnement et votre corps. Cet émetteur ne doit pas être placé à proximité d'une autre antenne ou d'un autre émetteur ou être utilisé en combinaison avec n'importe quelle autre antenne ou émetteur.

Remarque relative à la protection des données

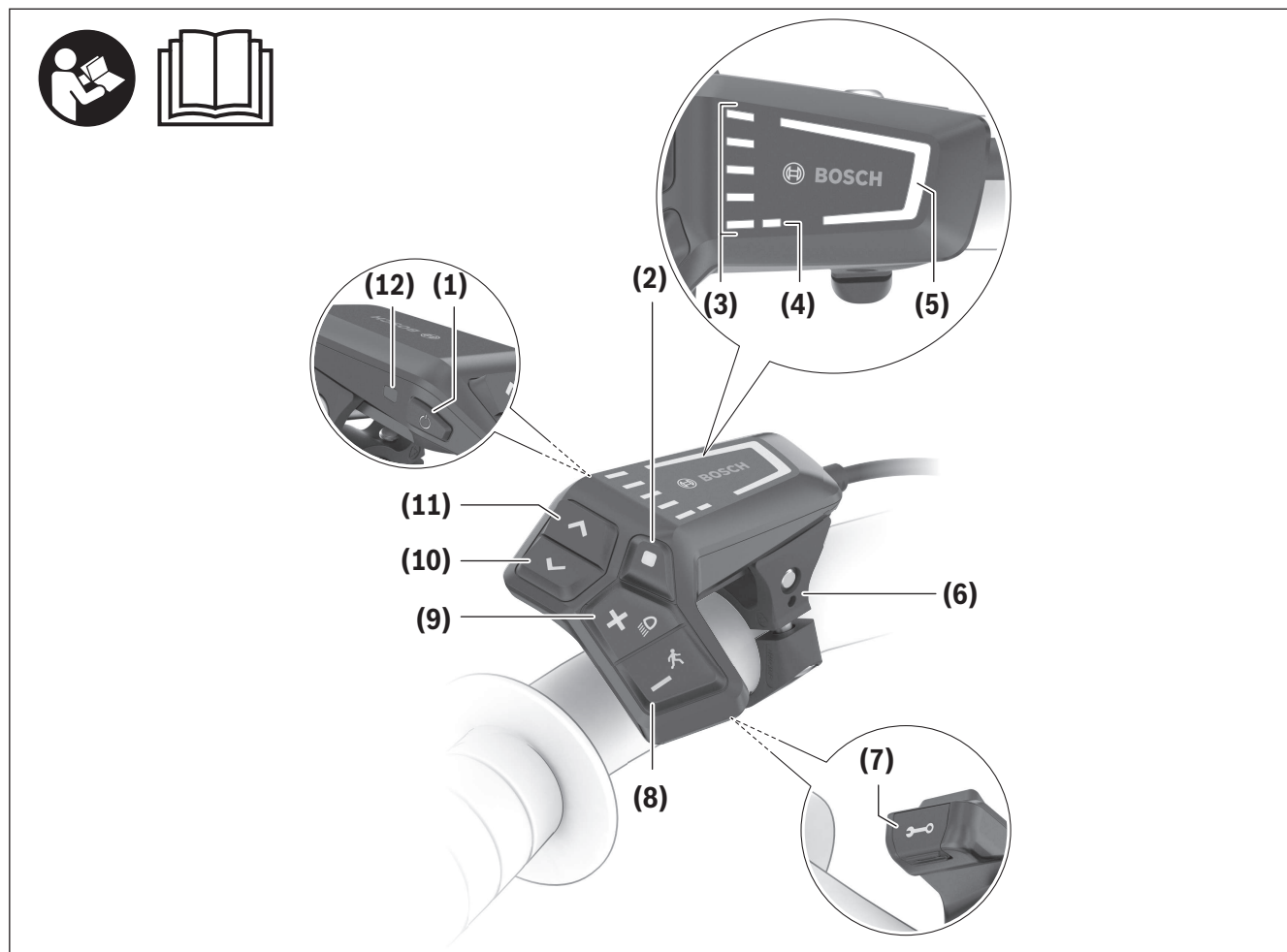
Lors du raccordement du vélo à assistance électrique à l'outil **Bosch DiagnosticTool 3**, des données sur l'utilisation de l'unité d'entraînement Bosch (consommation d'énergie, température, etc.) sont transmises à la société Bosch eBike Systems (Robert Bosch GmbH) à des fins d'amélioration des produits. Pour en savoir plus, rendez-vous sur le site Bosch www.bosch-ebike.com.

Description des prestations et du produit

Caractéristiques du produit LED Remote

Toutes les pièces de vélo, à l'exception de l'unité d'entraînement, de l'ordinateur et de l'unité de com-

mande, du capteur de vitesse et de leurs fixations sont représentées de manière schématique, elles peuvent différer par rapport à celles réellement installées sur votre vélo électrique.



- | | |
|--|---|
| (1) Touche Marche/Arrêt | (8) Bouton Diminution assistance -/
Assistance à la poussée |
| (2) Touche de sélection | (9) Bouton Augmentation assistance +/
Éclairage du vélo |
| (3) LED indicatrices du niveau de charge | (10) Bouton Diminution luminosité/
Aller vers l'arrière |
| (4) LED ABS (option) | (11) Bouton Augmentation luminosité/
Aller vers l'avant |
| (5) LED niveau d'assistance | (12) Capteur de lumière ambiante |
| (6) Support | |
| (7) Port de diagnostic (seulement pour besoins de
maintenance) | |

Utilisation conforme

L'unité de commande **LED Remote** est destinée au pilotage d'un système Bosch eBike et à la commande d'un ordinateur de bord.

L'application **eBike Flow** est accessible par *Bluetooth*[®].

Caractéristiques techniques

Unité déportée		LED Remote
Code produit		BRC3600
Courant de charge maxi de la prise USB	mA	600
Tension de charge de la prise USB	V	5
Câble de charge USB ^{A)}		Type USB-C ^{®B)}
Températures de charge	°F	32 ... 104

Unité déportée		LED Remote
Températures de fonctionnement	°F	23 ... 104
Températures de stockage	°F	50 ... 104
Interface de diagnostic		Type USB-C ^{®B)}
Accu Li-ion interne	V mAh	3,7 75
Indice de protection		IP54
Dimensions (sans montage)	mm	74 × 53 × 35
Poids	oz	1
<i>Bluetooth</i> [®] Low Energy 5.0		
– Fréquence	MHz	2 400–2 480
– Puissance d'émission	mW	1

A) non contenu dans la livraison standard

B) USB Type-C[®] et USB-C[®] sont des marques déposées de l'USB Implementers Forum.

Utilisation

Conditions préalables

Le système eBike ne peut être activé que si les conditions suivantes sont réunies :

- La batterie utilisée est suffisamment chargée (voir la notice d'utilisation de la batterie).
- Le capteur de vitesse est correctement branché (voir la notice d'utilisation de la Drive Unit).

Alimentation électrique de l'unité de commande

Si une batterie eBike suffisamment chargée est insérée dans le vélo à assistance électrique et que le système eBike est mis en marche, la batterie de l'unité déportée est alimentée en énergie et chargée par la batterie eBike.

Quand le niveau de charge de la batterie est très faible, il est possible de la recharger au moyen d'un câble USB Type-C[®] via le port de diagnostic **(7)**, à partir d'une batterie externe ou d'une autre source de courant adaptée (tension de charge **5 V**, courant de charge maxi **600 mA**).

Fermez systématiquement le couvercle du port de diagnostic **(7)** pour empêcher la poussière et l'humidité de pénétrer.

Mise en marche/arrêt du système eBike

Pour **mettre en marche** le système eBike, appuyer brièvement sur le bouton Marche/Arrêt **(1)**. Après un bref allumage de toutes les LED, le niveau de charge de la batterie s'affiche sur l'indicateur **(3)** prévu à cet effet et le niveau d'assistance réglé est indiqué en couleur par le voyant **(5)**. Le vélo à assistance électrique est prêt à rouler.

La luminosité de l'écran est commandée par le capteur de lumière ambiante **(12)**. C'est pourquoi il ne faut pas couvrir ce capteur de lumière ambiante **(12)**. L'entraînement est activé dès que vous commencez à pédaler (sauf sur le niveau d'assistance **OFF**). La puissance du moteur dépend du niveau d'assistance réglé.

Dès que vous arrêtez de pédaler en mode normal ou dès que vous avez atteint une vitesse de **20 mph**, le système d'entraînement eBike désactive l'assistance.

L'entraînement se réactive automatiquement dès que vous vous mettez à pédaler et que la vitesse est inférieure à **20 mph**.

Pour **arrêter** le système eBike, appuyez brièvement (moins de 3 s) sur le bouton Marche/Arrêt **(1)**. L'indicateur de niveau de charge **(3)** et la LED indiquant le niveau d'assistance **(5)** s'éteignent.

Si le système eBike n'est pas sollicité pendant **10** minutes (du fait par ex. que le vélo est à l'arrêt) et que dans le même temps aucune touche de l'ordinateur de bord ou de la console déportée de votre vélo électrique n'est actionnée, le système eBike s'arrête automatiquement.

Indicateur de niveau de charge de la batterie

L'indicateur de niveau de charge **(3)** indique l'état de charge de la batterie du vélo à assistance électrique. Le niveau de charge de la batterie peut également être lu sur les LED de la batterie elle-même.

Sur l'indicateur **(3)**, chaque barre de couleur bleu glace représente 20 % de la capacité totale, et chaque barre blanche, 10 %. La barre supérieure correspond à une capacité maximale.

Exemple : affichage de 4 barres de couleur bleu glace et une barre blanche. Le niveau de charge est compris entre 81 % et 90 %.

En cas de capacité faible, les deux indicateurs inférieurs changent de couleur :

Barre	Capacité
2 orange	30 % ... 21 %
1 orange	20 % ... 11 %
1 rouge	10 % ... Réserve
1 rouge clignotante	Réserve ... vide

Si la batterie du vélo à assistance électrique est en cours de charge, la barre supérieure de l'indicateur de niveau de charge **(3)** clignote.

Réglage du niveau d'assistance

Les boutons **(8)** et **(9)** de l'unité de commande permettent de régler le niveau d'assistance de l'entraînement du vélo à assistance électrique pendant le pédalage. Le niveau d'assistance peut être modifié à tout moment, même en roulant, et s'affiche en couleur.

Niveau	Couleur	Indication
OFF	aucune	L'assistance étant désactivée, on pédale sur le vélo à assistance électrique comme sur un vélo normal.
ECO	vert	assistance active avec une efficacité optimisée, pour une autonomie maximale
TOUR	bleu	assistance équilibrée, pour les sorties longues
eMTB/SPORT	violet	assistance optimale sur tous les terrains, démarrage sportif, dynamique améliorée, performance maximale
TURBO	Rouge	assistance maximale jusqu'à des cadences de pédalage élevées, pour une pratique sportive

Les désignations et la configuration des niveaux d'assistance peuvent être préconfigurées par le fabricant et sélectionnées par le revendeur de vélos.

Interaction entre le système eBike et le système de changement de vitesses

Même avec l'assistance électrique, vous devez changer de vitesses de la même façon qu'avec un vélo normal (consultez la notice d'utilisation de votre vélo électrique).

Indépendamment du type de système de changement de vitesses, il est recommandé d'arrêter brièvement de pédaler pendant que vous changez de vitesse. Cela facilite le changement de vitesse et réduit l'usure du mécanisme d'entraînement.

En choisissant la vitesse appropriée, vous pouvez, à effort égal, rouler plus vite et bénéficier d'une plus grande autonomie.

Activation/désactivation de l'éclairage du vélo

Vérifiez le fonctionnement de l'éclairage du vélo avant chaque départ.

Pour **allumer** l'éclairage du vélo, appuyez sur le bouton **(9)** pendant plus de 1 s.

Utilisez les boutons **(11)** et **(10)** pour commander la luminosité des LED sur l'unité de commande.

Activation/désactivation de l'assistance à la poussée

L'assistance à la poussée vous permet de pousser le vélo électrique en exerçant moins d'effort. La vitesse possible avec cette fonction dépend de la vitesse sélectionnée sur le vélo. Elle est au maximum de **3,7 mph**. Elle sera d'autant plus faible (à pleine puissance) que la vitesse sélectionnée est plus petite.

► **La fonction assistance à la poussée ne doit être utilisée que quand vous poussez le vélo électrique.** Les roues du vélo doivent être en contact avec le sol lorsque l'assistance à la poussée est utilisée, sans quoi vous risqueriez de vous blesser.

Pour **démarrer** l'assistance à la poussée, appuyez sur le bouton **(8)** pendant plus de 1 s et maintenez-le enfoncé. L'indicateur de niveau de charge **(3)** s'éteint et une chaîne lumineuse blanche orientée dans le sens de la marche indique que le vélo est prêt.

Pour **activer** l'assistance à la poussée, l'une des actions suivantes doit avoir lieu dans les 10 s qui suivent :

- Poussez le vélo à assistance électrique vers l'avant.
- Poussez le vélo à assistance électrique vers l'arrière.
- Effectuez un mouvement d'oscillation latérale avec le vélo à assistance électrique.

Après l'activation, le moteur commence à pousser et les barres blanches continues changent de couleur pour devenir bleu glace.

Si vous relâchez le bouton **(8)**, l'assistant de poussée est mis en pause. Vous pouvez réactiver l'assistance à la poussée en appuyant sur le bouton **(8)** dans les 10 s qui suivent.

Si vous ne réactivez pas l'assistance à la poussée dans les 10 s, celle-ci s'éteint automatiquement.

L'assistance à la poussée est systématiquement interrompue lorsque

- la roue arrière est bloquée,
- des seuils ne peuvent être franchis,
- le pédalier est bloqué par une partie du corps,
- un obstacle continue à faire tourner le pédalier,
- vous appuyez sur les pédales,
- le bouton **(9)** ou le bouton Marche/Arrêt **(1)** est actionné.

Le fonctionnement de l'assistance de poussée est tributaire de la législation en vigueur dans chaque pays et peut donc différer de ce qui a été indiqué ci-dessus. L'assistance à la poussée peut même être désactivée.

Système antiblocage ABS (optionnel)

Si le vélo à assistance électrique est équipé de l'ABS eBike Bosch, la LED ABS **(4)** s'allume lorsque le système eBike est mis en marche.

Si le vélo à assistance électrique atteint une vitesse de **3,7 mph**, le voyant ABS **(4)** s'éteint.

En cas de défaut, la LED ABS **(4)** s'allume et la LED du niveau d'assistance **(5)** clignote en orange. Il est possible de confirmer l'erreur en appuyant sur le bouton de sélection **(2)**, la LED clignotante indiquant le niveau de support **(5)** s'éteint alors. La LED ABS **(4)** reste allumée pour indiquer que le système ABS n'est pas actif.

Pour plus de détails sur le système ABS et son fonctionnement, consultez la notice d'utilisation de l'ABS.

Établissement de la connexion avec le smartphone

Pour utiliser les fonctions eBike suivantes, un smartphone équipé de l'application **eBike Flow** est nécessaire.

La liaison avec l'application se fait par *Bluetooth*®.

Mettez le système eBike en marche et n'utilisez pas le vélo à assistance électrique.

Démarrer l'appariement *Bluetooth*® par une pression longue (plus de 3 s) sur le bouton Marche/Arrêt **(1)**.

Relâchez le bouton Marche/Arrêt **(1)** dès que la barre supérieure de l'indicateur de niveau de charge signale par un clignotement bleu que le processus d'appariement est en cours.

Dans l'application, confirmez la demande de connexion.

Suivi des activités

Pour enregistrer les activités, il est nécessaire de s'inscrire ou de se connecter à l'application **eBike Flow**.

Pour enregistrer les activités, vous devez accepter que vos données de localisation soient stockées dans l'application. C'est une condition nécessaire à l'historisation de vos activités dans l'application. Pour que vos données de localisation soient enregistrées, vous devez être connecté en tant qu'utilisateur.

Mises à jour logicielles

Les mises à jour logicielles sont téléchargées en arrière-plan de l'application vers l'unité de commande dès que celle-ci est connectée à l'application. La progression de la mise à jour est signalée par un clignotement vert de l'indicateur de niveau de charge **(3)**. Le système est ensuite redémarré.

Les mises à jour logicielles sont pilotées par l'application **eBike Flow**.

Maintenance/nettoyage

AVERTISSEMENT

- ▶ **N'ouvrez aucun élément. L'entretien doit uniquement être effectué par un revendeur eBike Bosch autorisé.** Le fait de ne pas respecter l'avertissement ci-dessus peut entraîner des blessures graves ou mortelles. Reportez-vous au manuel de votre vélo ou au manuel de l'élément pour tous les éléments ne faisant pas partie du système d'entraînement Bosch.
- ▶ **Ne plongez pas vos composants eBike dans l'eau et ne les lavez pas avec un pulvérisateur haute pression.** Votre unité d'entraînement Bosch est

conçue pour être étanche à l'eau de pluie ou à un tuyau d'arrosage sans pression.

- ▶ **Ne peignez aucun élément du système d'entraînement Bosch car cela peut entraîner une défaillance prématurée de l'élément.**

Service après-vente et conseil utilisateurs

Pour toutes les questions concernant le système eBike et ses éléments, adressez-vous à un vélociste agréé.

Vous trouverez les données de contact de vélocistes agréés sur le site internet www.bosch-ebike.com.

Si la batterie ne fonctionne plus, adressez-vous à un vélociste agréé.

Résolution des problèmes

L'unité de commande indique si des erreurs, critiques ou non, se produisent dans le système eBike.

Les messages d'erreur générés par le système eBike peuvent être lus via l'application **eBike Flow** ou par votre revendeur de vélos.

Un lien présent dans l'application **eBike Flow** peut fournir des informations sur l'erreur et une assistance pour la corriger.

Erreurs non critiques

Les erreurs non critiques sont indiquées par le clignotement orange de la LED du niveau d'assistance **(5)**.

Appuyez sur le bouton de sélection **(2)** pour confirmer l'erreur ; la LED du niveau d'assistance **(5)** affiche à nouveau de manière permanente la couleur du niveau d'assistance réglé.

Au besoin, vous pouvez vous aider du tableau suivant pour corriger vous-même les erreurs. Sinon, veuillez vous rendre chez votre revendeur de bicyclettes.

Numéro	Correction de l'erreur
0x523005	Le numéro d'erreur indiqué signale une défaillance dans la détection du champ magnétique par les capteurs. Vérifiez si vous avez perdu l'aimant en cours de route.
0x514001	
0x514002	
0x514003	Si vous utilisez un capteur magnétique, vérifiez que le montage du capteur et de l'aimant est correct. Vérifiez également que le câble conduisant au capteur n'est pas endommagé.
0x514006	
	Si vous utilisez un aimant de jante, veillez à ce qu'il n'y ait aucun champ magnétique parasite à proximité de l'unité d'entraînement.

Erreurs critiques

Les erreurs critiques sont signalées par le clignotement rouge de la LED du niveau d'assistance **(5)** et de l'indicateur de niveau de charge **(3)**. En cas d'erreur critique, consultez un revendeur de bicyclettes dans les plus brefs délais. **Ne connectez aucun chargeur au système.**

Programme de recyclage des accus



L'unité d'entraînement, l'ordinateur de bord et son unité de commande, la batterie, le capteur de vitesse, les accessoires et l'emballage doivent être triés afin d'être recyclés de façon respectueuse de l'environnement.

Ne jetez pas les systèmes eBike et leurs éléments constitutifs dans les ordures ménagères !



Pour recycler votre batterie Bosch, appelez le 1.800.822.8837.

Índice

Introducción	2
Acerca de las advertencias	2
Advertencias generales	2
Utilización de sus Instrucciones de servicio	3
Manejo de la unidad de mando	4
Indicaciones de seguridad.....	4
Descripción del producto y servicio	7
Operación	8
Mantenimiento/Limpieza	11
Resolución de problemas	12
Fallos menos críticos.....	12
Fallos críticos.....	12
Programa de reciclaje de baterías	13

Introducción

Acerca de las advertencias

Este manual contiene muchos **PELIGROS**, **ADVERTENCIAS**, y **PRECAUCIONES** sobre las consecuencias de una falta de uso, montaje, mantenimiento, almacenamiento, inspección y eliminación de una eBike equipada por Bosch de modo seguro.

- La combinación del símbolo de alerta de seguridad y la palabra **PELIGRO** indica una situación peligrosa que, si no se evita, ocasionará la muerte o lesiones graves.
- La combinación del símbolo de alerta de seguridad y la palabra **ADVERTENCIA** indica una situación peligrosa que, si no se evita, podría provocar la muerte o lesiones graves.
- La combinación del símbolo de alerta de seguridad y la palabra **PRECAUCIÓN** indica una situación peligrosa que, si no se evita, podría ocasionar lesiones leves o moderadas.

Advertencias generales



Lea íntegramente todas las indicaciones de seguridad e instrucciones. No seguir las advertencias e instrucciones siguientes puede provocar la muerte o lesiones graves.

Guarde todas las indicaciones de seguridad e instrucciones para posibles consultas futuras.

El término **batería** empleado en este manual del usuario se refiere a todas las baterías para eBike originales de Bosch.

⚠ ADVERTENCIA

- ▶ **Este manual contiene información importante de seguridad, rendimiento y mantenimiento.** Léalo antes de usar su nueva bicicleta y guárdelo a modo de referencia. Puede encontrar el manual también en línea en www.bosch-ebike.com.
- ▶ **Este manual está previsto para su lectura junto con el manual de usuario aparte que venía con su bicicleta.** Antes de usar la bici por primera vez, asegúrese de leer toda la documentación facilitada, incluidas las etiquetas que lleva el producto.
- ▶ **Lea TODOS los manuales incluidos antes de montar en la bicicleta por primera vez.** Su sistema de accionamiento de Bosch incluye manuales y documentación adicionales proporcionados por el fabricante de la bicicleta y de otros componentes.

No leer o desconocer la información de seguridad puede provocar la muerte o lesiones graves.

- ▶ **Por su propia SEGURIDAD, sea responsable.** Si tiene dudas o no entiende algo, consúltelo con su distribuidor o con el fabricante de la bicicleta o del componente.
- ▶ **Algunos accesorios de la eBike pueden suponer un peligro de atragantamiento para los niños pequeños.** Mantenga esos accesorios alejados de los niños.

⚠ PRECAUCIÓN

- ▶ **El sistema de accionamiento de Bosch incrementa el peso de su bicicleta, que puede que no esté acostumbrado a levantar.** Evite las lesiones; utilice técnicas de elevación adecuadas.

Utilización de sus Instrucciones de servicio

Además de las funciones aquí representadas, puede ser que se introduzcan en cualquier momento modificaciones de software para la eliminación de errores y modificaciones de funciones.

Gráficos

La bicicleta que se muestra en este manual puede diferir ligeramente de la suya; no obstante, las similitudes son suficientes para ayudarle a entender nuestras instrucciones.

Los lados DERECHO e IZQUIERDO se indican mirando en el sentido que la bicicleta tendrá al circular hacia delante. Si ve una línea discontinua (-----), el elemento al que se refiere está oculto a la vista.

Manejo de la unidad de mando

Indicaciones de seguridad



Lea íntegramente todas las indicaciones de seguridad e instrucciones. Las faltas de observación de las indicaciones de seguridad y de las instrucciones pueden causar descargas eléctricas, incendios y/o lesiones graves.

Guarde todas las indicaciones de seguridad e instrucciones para posibles consultas futuras.

El término **batería** empleado en este manual del usuario se refiere a todas las baterías para eBike originales de Bosch.

- ▶ **¡No intente fijar la pantalla o la unidad de mando durante la marcha!**
- ▶ **No active la función de asistencia de empuje mientras se conduce la bicicleta.** Sólo use la función de asistencia de empuje al empujar la eBike.
- ▶ **La función de asistencia de empuje se debe usar exclusivamente al empujar la eBike.** Si las ruedas de la eBike no están en contacto con el suelo cuando se usa la asistencia de empuje, existe riesgo de lesiones.
- ▶ **Cuando la asistencia de empuje está activada, los pedales pueden girar.** Con la asistencia de empuje activada, preste atención a que sus piernas tengan suficiente distancia hacia los pedales giratorios. Existe peligro de lesión.
- ▶ **No coloque la bicicleta de cabeza en el manillar y el sillín, cuando la unidad de mando o su soporte sobresalga del manillar.** La unidad de mando o el soporte pueden dañarse irreparablemente.
- ▶ **No conecte un cargador al sistema eBike, cuando el sistema eBike indica un error crítico.** Esto puede causar la destrucción de su acumulador, el acumulador puede incendiarse y así provocar quemaduras graves y otras lesiones.
- ▶ **La unidad de mando está equipada con una interfaz inalámbrica. Observar las limitaciones locales de servicio, p. ej. en aviones o hospitales.**
- ▶ **¡Cuidado!** El uso de la unidad de mando con *Bluetooth*[®] puede provocar anomalías en otros aparatos y equipos, en aviones y en aparatos médicos (p. ej. marcapasos, audífonos, etc.). Tampoco puede descartarse por completo el riesgo de daños en personas y animales que se encuentren en un perímetro cercano. No utilice la unidad de mando con *Bluetooth*[®] cerca de aparatos médicos, gasolineras, instalaciones químicas, zonas con riesgo de explosión ni en zonas de voladuras. No utilice la unidad de mando con *Bluetooth*[®] en aviones. Evite el uso prolongado de esta herramienta en contacto directo con el cuerpo.
- ▶ La marca de palabra *Bluetooth*[®] como también los símbolos (logotipos) son marcas de fábrica registradas y propiedad de Bluetooth SIG, Inc. Cada utilización de esta marca de palabra/símbolo por Bosch eBike Systems tiene lugar bajo licencia.
- ▶ **Observe todas las prescripciones nacionales para la matriculación y la utilización de eBikes.**
- ▶ **Lea y siga todas las indicaciones de seguridad e instrucciones de todos los manuales de uso del sistema eBike, así como las instrucciones de uso de su eBike.**

Indicaciones de seguridad para cargar la pila del mando a distancia

- ▶ **Cargue el mando a distancia únicamente con una fuente de alimentación USB (5 V, 600 mA máx.) y un cable USB con una capacidad mínima de 600 mA.** El uso de una fuente de alimentación USB o de un cable USB no adecuado para la aplicación puede provocar un incendio, una explosión o lesiones personales.

- ▶ **Cargue el cuadro de mandos a temperaturas superiores a +32 grados F (0 grados C) e inferiores a +104 grados F (40 grados C). Guarde el cuadro de mandos en lugares donde la temperatura no exceda los 104 grados F (40 grados C).** Esto es importante para prevenir serios daños a la batería del cuadro de mandos.
- ▶ **No exponga el cuadro de mandos al fuego o a una temperatura excesiva.** La exposición al fuego o a temperaturas superiores a los 212 °F (100 °C) puede causar una explosión.
- ▶ **No recargue el cuadro de mandos (a través del puerto USB) en un entorno húmedo o mojado.** La penetración de agua en el cuadro de mandos puede provocar una descarga eléctrica o un incendio.
- ▶ **Nunca sumerja el cuadro de mandos en ningún tipo de fluido ni permita que penetre en él.** Los fluidos corrosivos o conductores (como el agua de mar o los productos químicos industriales o que contienen lejía, etc.) pueden causar un cortocircuito que puede provocar incendios, lesiones personales y daños materiales.
- ▶ **La fuga de la batería puede ocurrir bajo condiciones extremas de uso o temperatura. Evite el contacto con la piel y los ojos.** El líquido de la batería es cáustico y podría causar quemaduras químicas a los tejidos. Si el líquido entra en contacto con la piel, debe lavarse rápidamente con agua y jabón. Si el líquido entra en contacto con los ojos, lávelos inmediatamente con agua durante un mínimo de 15 minutos y busque atención médica.
- ▶ **Antes de cada uso, compruebe el cuadro de mandos, el cable y el enchufe.** Si se detectan daños, no utilice el cuadro de mandos. Daños en el cuadro de mandos, los cables de carga y los enchufes aumentan el riesgo de incendio, explosión y lesiones personales.
- ▶ **No desarme el cuadro de mandos.** No hay ninguna pieza utilizable por el usuario en el interior. El ensamblaje incorrecto o los daños pueden provocar un incendio o una explosión.

INDICACIÓN: Este dispositivo cumple con la Parte 15 de las Normas de la FCC. La operación está sujeta a las siguientes dos condiciones:

1. Este dispositivo no debe causar interferencias dañinas, y
2. este dispositivo debe aceptar cualquier interferencia que se reciba, incluida la interferencia que pueda causar un funcionamiento no deseado.

INDICACIÓN: Los cambios o modificaciones realizados en este equipo no aprobados expresamente por Robert Bosch GmbH pueden anular la autorización de la FCC para operar este equipo.

NOTA: Este equipo ha sido probado y cumple con los límites para un dispositivo digital de Clase B, de conformidad con la Parte 15 de las Normas de la FCC. Estos límites están diseñados para proporcionar una protección razonable contra interferencias perjudiciales en una instalación residencial. Este equipo genera, utiliza y puede emitir energía de radiofrecuencia y, si no se instala y utiliza de acuerdo con las instrucciones, puede causar interferencias perjudiciales en las comunicaciones de radio. Sin embargo, no existe garantía de que no se produzcan interferencias en una instalación en particular. Si este equipo causa interferencias perjudiciales en la recepción de radio o televisión, lo cual puede determinarse encendiendo y apagando el equipo, se recomienda al usuario que intente corregir la interferencia mediante una o más de una de las siguientes medidas:

- Reorientar o reubicar la antena receptora.
- Aumente la separación entre el equipo y el receptor.
- Conecte el equipo a una toma de corriente en un circuito diferente al que está conectado el receptor.
- Diríjase al distribuidor o a un técnico de radio/TV experimentado para obtener ayuda.

Información de exposición a la radiación de radiofrecuencia: La potencia de salida irradiada del dispositivo está muy por debajo de los límites de exposición de radiofrecuencia de la FCC. Sin embargo, el dispositivo debe utilizarse de tal manera que se mini-

mice la posibilidad de contacto humano durante el funcionamiento normal.

Este equipo cumple con los límites de exposición a la radiación de FCC establecidos para un ambiente no controlado. Este equipo debe ser instalado y operado con una distancia mínima de 20 cm entre el emisor y su cuerpo. Este transmisor no debe estar ubicado u operando en conjunto con ninguna otra antena o transmisor.

Nota de ISED (Canadá)

Este dispositivo contiene un(varios) transmisor(es)/ receptor(es) exento(s) de licencia que cumple(n) con RSS(s) exento(s) de licencia del Ministerio de Innovación, Ciencia y Desarrollo Económico de Canadá. La utilización está sujeta a las dos condiciones siguientes:

1. este dispositivo no debe causar interferencias perjudiciales, y
2. este dispositivo debe admitir cualquier interferencia, incluyendo las interferencias que puedan causar un funcionamiento no deseado del dispositivo.

Este equipo cumple con los límites de exposición a la radiación del Canadá establecidos para un ambiente no controlado. Este equipo debe ser instalado y operado con una distancia mínima de 20 cm entre el emisor y su cuerpo. Este transmisor no debe estar ubicado u operando en conjunto con ninguna otra antena o transmisor.

Indicación de protección de datos

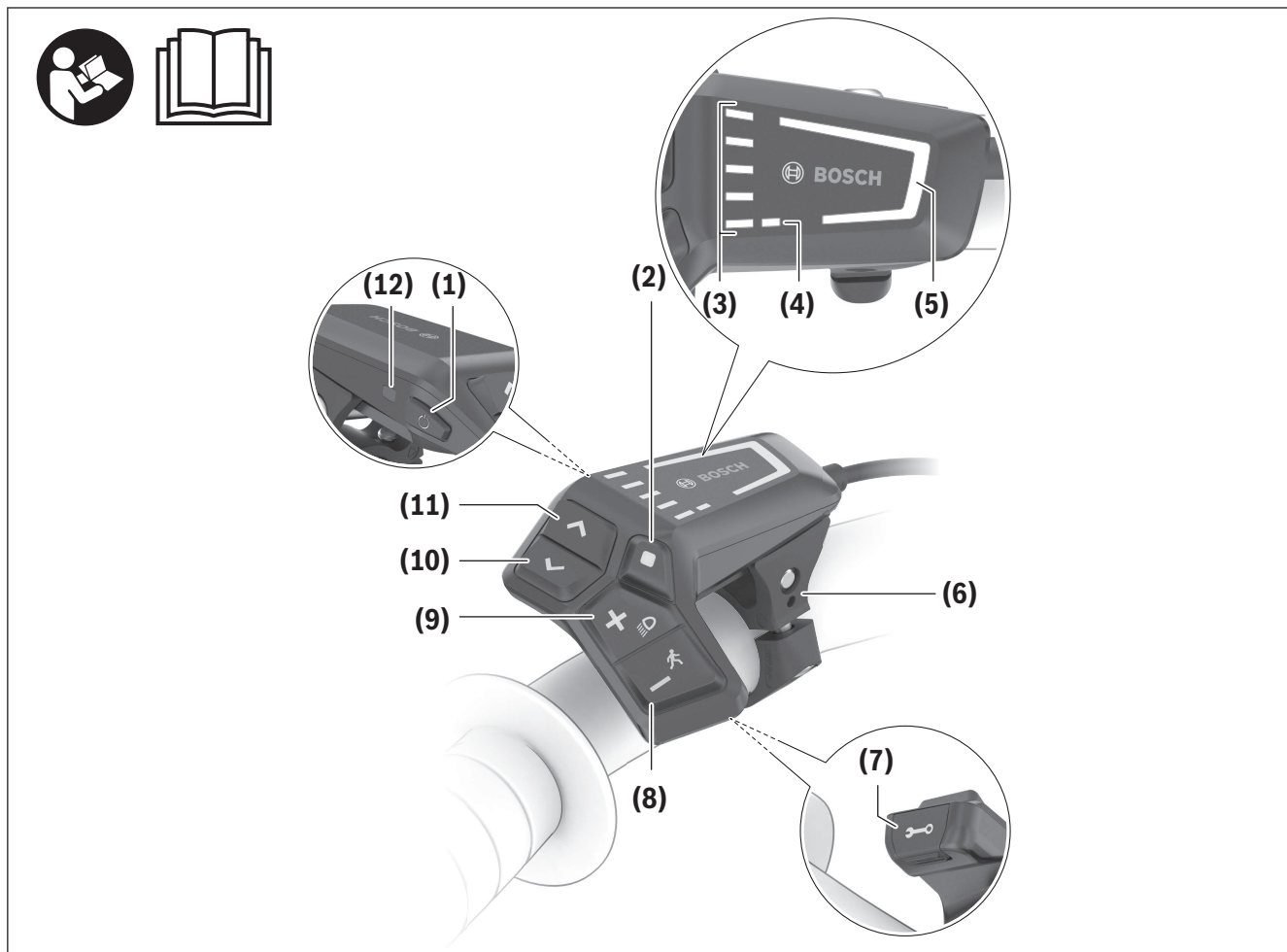
Al conectar la eBike al **Bosch DiagnosticTool 3** y con el fin de mejorar el producto, se transmiten datos sobre el uso de la unidad motriz Bosch (entre otros, consumo de energía, temperatura, etc.) a Bosch eBike Systems (Robert Bosch GmbH). Para más información, visite la página web de eBike de Bosch www.bosch-ebike.com.

Descripción del producto y servicio

Características del producto LED Remote

Todas las representaciones de las piezas de la bicicleta, excepto la unidad motriz, ordenador de a bordo

incl. unidad de mando, sensor de velocidad y los soportes correspondientes son esquemáticas y pueden diferir de su eBike.



- | | |
|--|--|
| (1) Tecla de conexión/desconexión | (8) Tecla para reducir la asistencia -/
Ayuda de empuje |
| (2) Tecla de selección | (9) Tecla para aumentar la asistencia +/
Iluminación de la bicicleta |
| (3) LEDs del indicador del estado de carga del
acumulador | (10) Tecla para reducir la luminosidad/
retroceso de página |
| (4) LED ABS (opcional) | (11) Tecla para aumentar la luminosidad/
avance de página |
| (5) LED de nivel de asistencia | (12) Sensor de la luz de entorno |
| (6) Soporte | |
| (7) Conexión de diagnóstico (sólo para fines de
mantenimiento) | |

Utilización reglamentaria

La unidad de mando **LED Remote** está destinada al control de un sistema eBike de Bosch y a la activación de un ordenador de a bordo.

A través de *Bluetooth*[®] se puede acceder a la aplicación **eBike Flow**.

Datos técnicos

Unidad de mando	LED Remote	
Código de producto		BRC3600
Corriente de carga de la conexión USB máx.	mA	600
Tensión de carga en puerto USB	V	5
Cable de carga USB ^{A)}		USB Type-C ^{®B)}
Temperatura de carga	°F	32 ... 104

Unidad de mando	LED Remote	
Temperatura de servicio	°F	23 ... 104
Temperatura de almacenamiento	°F	50 ... 104
Interfaz de diagnóstico		USB Type-C ^{®B)}
Acumulador de iones de litio interno	V mAh	3,7 75
Protección		IP54
Dimensiones (sin fijación)	mm	74 × 53 × 35
Peso	oz	1
<i>Bluetooth</i> [®] Low Energy 5.0		
– Frecuencia	MHz	2400–2480
– Potencia de emisión	mW	1

A) No se incluye en el suministro de serie estándar

B) USB Type-C[®] y USB-C[®] son signos de marca de USB Implementers Forum.

Operación

Requisitos

El sistema eBike solamente puede activarse cuando se cumplen las siguientes condiciones:

- Se ha colocado una batería con suficiente carga (véanse las instrucciones de uso de la batería).
- El sensor de velocidad está conectado correctamente (véanse las instrucciones de uso del motor).

Alimentación de energía de la unidad de mando

Si se ha colocado un acumulador de eBike con suficiente carga y está conectado el sistema eBike, el acumulador de la unidad de mando se abastece y carga con la energía del acumulador de la eBike.

Si el acumulador interno llega a tener un estado de carga muy bajo en algún momento, puede cargarlo a través de la conexión de diagnóstico **(7)** mediante un cable USB Type-C[®] con un banco de energía u otra fuente de corriente adecuada (tensión de carga **5 V**; corriente de carga máx. **600 mA**).

Cierre siempre la tapa de la conexión de diagnóstico **(7)**, para evitar la entrada de polvo y humedad.

Conexión/desconexión del sistema eBike

Para **conectar** el sistema eBike pulse brevemente la tecla de conexión/desconexión **(1)**. Tras la iluminación breve de todos los LEDs, se indica el nivel de carga del acumulador con el indicador de estado de carga **(3)** y el nivel de asistencia ajustado con el indicador **(5)** en color. La eBike está lista para circular.

La luminosidad del visualizador se regula mediante el sensor de la luz de entorno **(12)**. Por lo tanto, no cubra el sensor de la luz de entorno **(12)**.

El accionamiento se activa en cuanto se empieza a pedalear (excepto en el nivel de asistencia **OFF**). La potencia del motor depende del nivel de asistencia ajustado.

En cuanto deje de pedalear en el funcionamiento normal o en cuanto alcance una velocidad de **20 mph**, se desconecta la asistencia del accionamiento de la eBike. El accionamiento se activa de nuevo automáticamente en cuanto padelee y su velocidad esté por debajo de **20 mph**.

Para **desconectar** el sistema eBike pulse brevemente (< 3 s) la tecla de conexión/desconexión **(1)**. El indi-

cadador del estado de carga del acumulador **(3)** y el LED de nivel de asistencia **(5)** se apagan.

Si durante unos **10** minutos no se solicita potencia al accionamiento de la eBike (p. ej. porque la eBike está parada) y no se pulsa ninguna tecla del ordenador de a bordo o de la unidad de mando de la eBike, el eBike-System se desconecta automáticamente.

Indicador del estado de carga del acumulador

El indicador del estado de carga del acumulador **(3)** muestra el estado de carga del acumulador de la eBike. También se puede consultar el estado de carga del acumulador de la eBike en los LED que hay en el propio acumulador.

En el indicador **(3)**, cada barra azul hielo corresponde al 20 % de la capacidad y cada barra blanca corresponde al 10 % de la capacidad. La barra superior indica la capacidad máxima.

Ejemplo: Se muestran 4 barras azul hielo y una barra blanca. El estado de carga está entre el 81 % y el 90 %.

Con una capacidad menor, los dos indicadores inferiores cambian de color:

Barra	Capacidad
2 × naranja	30 % ... 21 %
1 × naranja	20 % ... 11 %
1 × rojo	10 % ... reserva
1 × rojo parpadeante	Reserva ... vacía

Si el acumulador de la eBike se está cargando, la barra superior del indicador del estado de carga del acumulador **(3)** parpadea.

Ajuste del modo de asistencia

En la unidad de mando puede ajustar con las teclas **(8)** y **(9)** la fuerza con la que le ayuda el accionamiento de la eBike al pedalear. El nivel de asistencia se puede modificar en cualquier momento, también durante la marcha, y se visualiza en color.

Nivel	Color	Indicaciones
OFF	ninguna	La asistencia del motor está apagada, la eBike se puede mover como una bicicleta normal pedaleando.
ECO	verde	asistencia efectiva con la máxima eficiencia, para una autonomía máxima
TOUR	azul	asistencia uniforme, para viajes con gran autonomía
eMTB/SPORT	violeta	asistencia óptima en cualquier terreno, arranque deportivo, dinámica mejorada, máximo rendimiento
TURBO	rojo	asistencia máxima, incluso al pedalear velozmente, para una conducción deportiva

Las designaciones y la configuración de los niveles de asistencia pueden ser preconfiguradas por el fabricante y seleccionadas por el distribuidor de bicicletas.

Funcionamiento combinado del sistema eBike con el mando del cambio

También con el accionamiento de la eBike, el cambio deberá utilizarse igual que en una bicicleta convencional (consulte al respecto las instrucciones de servicio de su eBike).

Independientemente del tipo de cambio empleado, es recomendable reducir brevemente la presión sobre los pedales durante el proceso de cambio de marcha. Ello no sólo facilita el cambio de marcha, sino que también reduce el desgaste del mecanismo de accionamiento.

Seleccionando la marcha correcta, usted puede aumentar la velocidad y el alcance aplicando la misma fuerza muscular.

Conectar/desconectar la iluminación de la bicicleta

Compruebe siempre el correcto funcionamiento de las luces de la bicicleta antes de cada viaje.

Para **conectar** la iluminación de la bicicleta, pulse la tecla **(9)** durante más de 1 s.

Con las teclas **(11)** y **(10)** puede controlar la luminosidad de los LEDs de la unidad de mando.

Conexión/desconexión de la Ayuda para empuje

La asistencia de empuje puede facilitarle el empuje de la eBike. La velocidad en esta función depende de la marcha acoplada y puede alcanzar como máximo **3,7 mph**. Cuanto más pequeña sea la marcha elegida, tanto menor es la velocidad lograda en la función de ayuda para empuje (a plena potencia).

► **La función de asistencia de empuje se debe usar exclusivamente al empujar la eBike.** Si las ruedas de la eBike no están en contacto con el suelo cuando se usa la asistencia de empuje, existe riesgo de lesiones.

Para **iniciar** la ayuda de empuje, pulse la tecla **(8)** durante más de 1 s y mantenga la tecla pulsada. El indicador del estado de carga **(3)** y una luz blanca en movimiento en el sentido de la marcha indica la disponibilidad.

Para **activar** la ayuda de empuje, debe realizarse una de las siguientes acciones en los próximos 10 s:

- Empuje la eBike hacia delante.
- Empuje la eBike hacia detrás.
- Realice un movimiento pendular lateral con la eBike.

Tras la activación, el motor comienza a empujar y las barras blancas continuas cambian su color a azul hielo.

Si suelta la tecla **(8)**, se interrumpe la ayuda de empuje. Dentro de los 10 s siguientes puede reactivar la ayuda de empuje pulsando la tecla **(8)**.

Si no reactiva la ayuda de empuje dentro de 10 s, la ayuda de empuje se desconecta automáticamente.

La ayuda de empuje se finaliza siempre cuando

- la rueda trasera se bloquea,
- ondulaciones de la calzada no se pueden cruzar,
- una parte del cuerpo bloquea la manivela de la bicicleta,
- un obstáculo sigue girando la manivela,
- usted comienza a pedalear,
- la tecla **(9)** o la tecla de conexión/desconexión **(1)** se presiona.

El funcionamiento de la asistencia está sujeto a las disposiciones específicas del país y, por consiguiente, puede diferir de la descripción mencionada anteriormente o estar desactivada.

ABS – Sistema antibloqueo de frenos (opcional)

Si la bicicleta está equipada con un ABS de eBike de Bosch, el LED ABS **(4)** se enciende cuando se pone en marcha el sistema eBike.

Si la eBike alcanza una velocidad de **3,7 mph**, el LED ABS **(4)** se apaga.

En caso de fallo, el LED ABS **(4)** se enciende junto con el LED de nivel de asistencia **(5)** que parpadea en color naranja. Con la tecla de selección **(2)** puede confirmar el fallo; el LED de nivel de asistencia **(5)** parpadeante se apaga. El LED ABS **(4)** permanece iluminado para indicar que el sistema ABS no está en funcionamiento.

Los detalles sobre el ABS y el modo de funcionamiento se encuentran en las instrucciones de servicio del ABS.

Establecer la conexión con el teléfono inteligente

Para utilizar las siguientes funciones de la eBike, se necesita un teléfono inteligente con la aplicación **eBike Flow**.

La conexión con la aplicación se realiza a través de una conexión *Bluetooth*[®].

Conecte el sistema de la eBike y no circule con la eBike.

Inicie el emparejamiento *Bluetooth*[®] presionando prolongadamente (> 3 s) la tecla de conexión/desconexión **(1)**. Suelte la tecla de conexión/desconexión **(1)**, tan pronto como la barra superior del indicador de estado de carga muestre el proceso de emparejamiento parpadeando en azul.

En la aplicación, confirme la solicitud de conexión.

Seguimiento de la actividad

Para registrar las actividades, es necesario un registro o el inicio de sesión en la aplicación **eBike Flow**.

Para el registro de actividades es necesario aceptar el almacenamiento de datos de ubicación en la aplicación. Solo así se pueden registrar sus actividades en la aplicación. Para registrar los datos de ubicación, debe estar conectado como usuario.

Actualizaciones de software

Las actualizaciones de software se transfieren en segundo plano desde la aplicación a la unidad de mando, tan pronto como se conecta a la aplicación. Durante la actualización, un parpadeo verde del indicador de estado del acumulador **(3)** muestra el progreso. A continuación, el sistema se reinicia.

Las actualizaciones de software se controlan a través de la aplicación **eBike Flow**.

Mantenimiento/Limpieza

⚠ ADVERTENCIA

- ▶ **No abra ninguno de los componentes. El mantenimiento debe llevarse a cabo exclusivamente por parte de un distribuidor de eBike de Bosch autorizado.** El incumplimiento de la advertencia anterior puede causar la muerte o lesiones graves. Consulte su manual de la bicicleta o de aquellos componentes del sistema de accionamiento que no sean de Bosch.
- ▶ **No sumerja los componentes eBike en el agua ni los limpie con una manguera a presión.** El accionamiento de Bosch está diseñado para ser impermeable al agua de lluvia o a una limpieza con manguera sin presión.
- ▶ **No pinte los componentes del sistema de accionamiento de Bosch, ya que eso podría causar un fallo temprano de los mismos.**

Servicio técnico y atención al cliente

En caso de cualquier consulta sobre el sistema eBike y sus componentes, diríjase a un distribuidor de bicicletas autorizado.

Los detalles de contacto de los distribuidores de bicicletas autorizados se pueden encontrar en el sitio web www.bosch-ebike.com.

Si su acumulador ya no funciona acuda por favor a una tienda de bicicletas autorizada.

Resolución de problemas

La unidad de mando indica si se presentan fallos críticos o menos críticos en el sistema eBike.

Los mensajes de fallo generados por el sistema eBike pueden leerse a través de la aplicación **eBike Flow** o por su distribuidor de bicicletas.

A través de un enlace en la aplicación **eBike Flow** se pueden obtener informaciones sobre el fallo y asistencia para solucionarlo.

Fallos menos críticos

Los fallos menos críticos se indican con el parpadeo naranja del LED de nivel de asistencia **(5)**. Presionando la tecla de selección **(2)** se confirma el fallo y el LED de nivel de asistencia **(5)** vuelve a visualizar constantemente el color del nivel de asistencia ajustado.

En caso dado, puede corregir los fallos usted mismo con la ayuda de la siguiente tabla. En caso contrario, acuda a su distribuidor de bicicletas.

Número	Eliminación de fallo
0x523005	Los números de fallo indicados señalan que hay deficiencias en la detección del campo magnético por parte de los sensores. Revise si perdió el imán mientras conducía.
0x514001	
0x514002	
0x514003	
0x514006	
	Si utiliza un sensor magnético, compruebe el correcto montaje del sensor y del imán. Asegúrese también de que el cable del sensor no esté dañado.
	Si utiliza un imán de llanta, asegúrese de que no haya campos magnéticos perturbadores cerca de la unidad motriz.

Fallos críticos

Los fallos críticos se indican con el parpadeo rojo del LED de nivel de asistencia **(5)** y del indicador de estado de carga **(3)**. En caso de un fallo crítico, consulte a un distribuidor de bicicletas lo antes posible. **No conecte un cargador al sistema.**

Programa de reciclaje de baterías



La unidad de accionamiento, el ordenador de a bordo incl. la unidad de mando, el acumulador, el sensor de velocidad, los accesorios y los embalajes deben reciclarse de forma respetuosa con el medio ambiente.

¡No arroje eBikes y sus componentes a la basura!



Puede reciclar su paquete de baterías de Bosch llamando al 1.800.822.8837.