



Deck Pad Instructions

Hi there. Thanks for spending your hard-earned cash on this Surly product. Surly stuff is designed to be useful and durable. We're confident it will serve you well for years to come.

This document outlines how to properly install your new Surly Deck Pad. If you do not feel comfortable with the installation, please take your bike to your local bike shop so they can get you set up right. If you do not have the proper tools and/or experience to install this Deck Pad you could hurt your bike, yourself, or your passenger. Be smart. Do the right thing.

⚠ WARNING: Cycling can be dangerous. Bicycle products should be installed and serviced by a professional mechanic. Never modify your bicycle or accessories. Read and follow all product instructions and warnings including information on the manufacturer's website. Inspect your bicycle before every ride. Always wear a helmet.

Loose straps or a loose seat pad may become entangled in the wheel or drivetrain, leading to an accident and serious injury. Make sure seat pad straps are fully secured and pad is strapped tightly to the deck. Check security of the system before every ride

⚠ CAUTION: Passengers must be able to hold their head upright while wearing a bicycle helmet and ride. A physician should evaluate any rider who is of questionable developmental age or ability.

Intended Use

Surly passenger accessories are compatible with all Surly longtail models that feature our Dummy Cargo Kit. Deck Pads are intended for passengers ages 5+ who are able to sit up unassisted, and who no longer require use of a child carrier.

Surly cargo bikes and frames, and Surly passenger accessories are designed to be used as a system. Complete bikes, frames, and passenger accessories are sold with two (2) rail collars. At a minimum, two (2) rail collars are required when using Surly Dummy Deck, rails, and bags, and when carrying passengers.

Bikes and frames are compatible with up to four (4) rail collars. If carrying passengers and using a deck, rails, or bags made by another company, then the use of four (4) rail collars is required. If you need additional rail collars contact your local bike shop.

Child passengers must use seat pads unless secured in a child carrier. Big Dummy bags or another compatible foot retention system must be installed for all passengers.

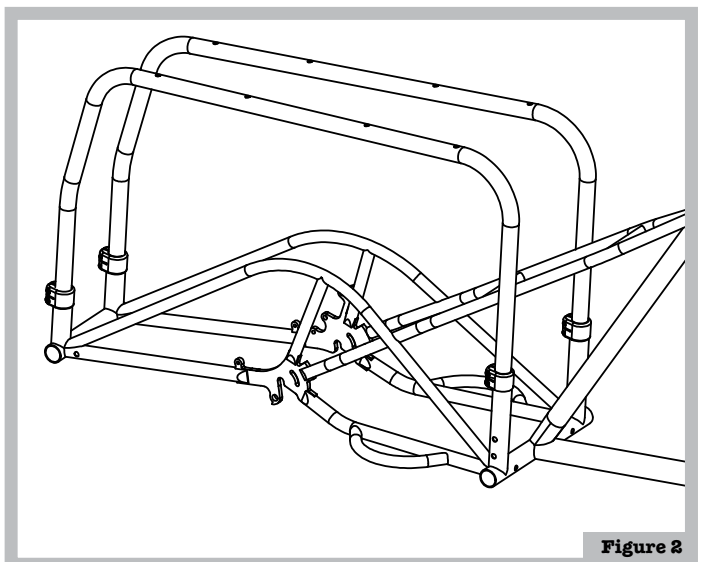
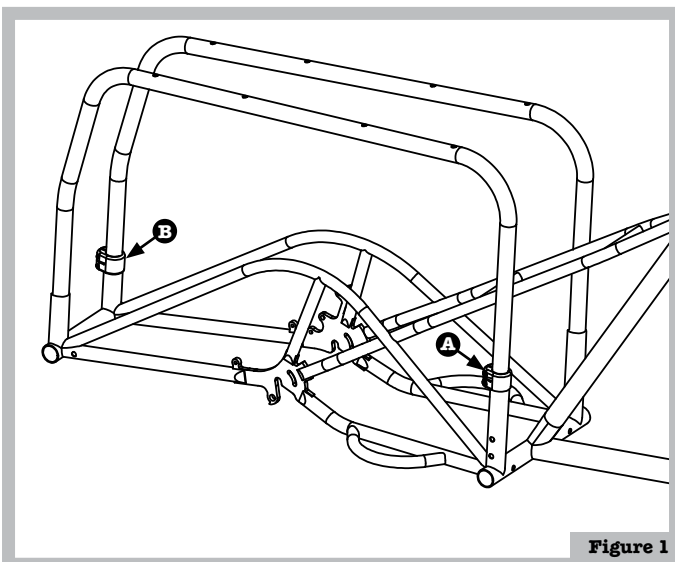
If you are planning to carry a child on your Surly cargo bike, Surly recommends the use of a child seat. We've tested the Thule Yepp Maxi seat. Thule makes an adapter that allows their seat to mount onto our deck. At this time, other child seats are not endorsed by Surly to carry a child on our Dummy Cargo bikes

Carrying any passenger or other cargo can have a great impact on the way your Surly cargo bikes handles. After loading the bike, practice in a low-traffic area to familiarize yourself with how to turn, stop, and maneuver your bike with the additional load. For the most up to date compatibility/options, check surlybikes.com/safety.

Rail collar position can improve performance of your Surly cargo bike. Please consider the following:

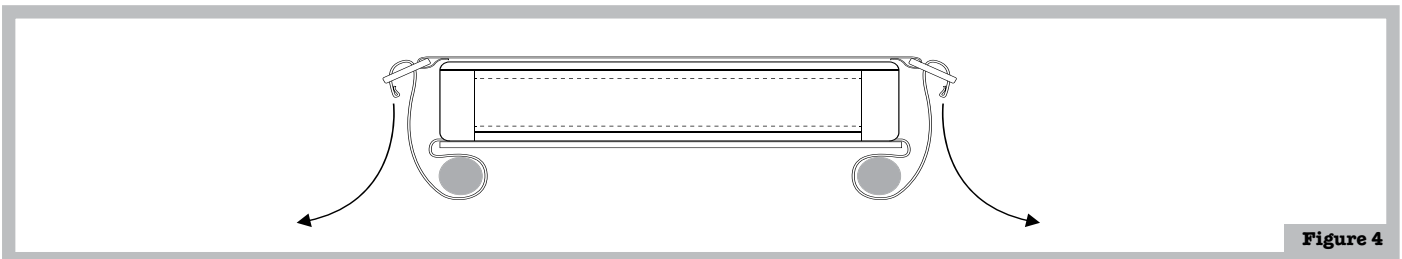
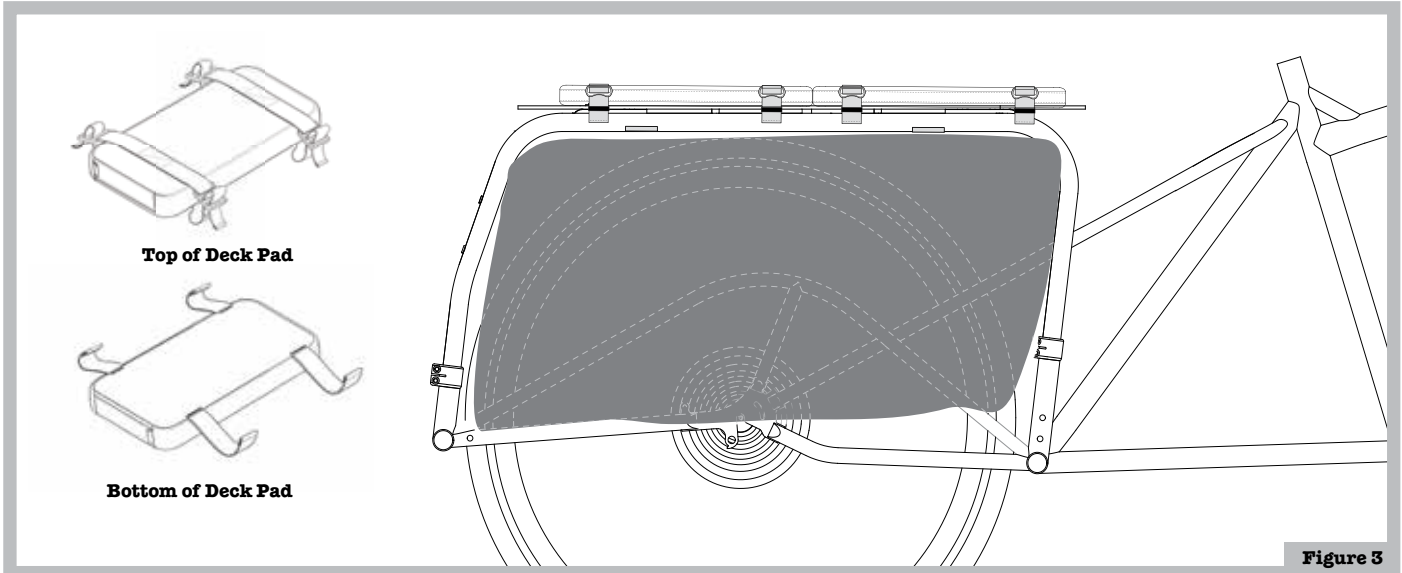
- Using a stock bike in a non-passenger application or with an approved child seat - both collars in the rear position
- Stock bike with Surly passenger accessories and Surly Dummy Cargo system (deck, rails, and bags) - diagonal orientation is recommended, one collar in the front position (A) on the drive side, and one in the rear position (B), non-drive side (Fig. 1)
- If using any other passenger accessory combination and/or cargo kit system, four (4) collars are required (Fig. 2)

⚠ WARNING: Failure to follow any of these requirements may lead to instability, resulting in a crash and serious injury.



Installation

- With the gripped side facing down, place the Deck Pad on top of your Dummy Deck (Fig. 3).
- Thread the webbing straps of the Deck Pad between the Dummy Rails and the Dummy Deck (Fig. 4).
- Thread the end of each strap through the buckle and cinch it tight.
- Secure excess strap through the elastic band.



Ongoing Maintenance

Spot clean with mild soap and warm water when required if you're prone to riding in wet conditions. If Deck Pads are wet or damp, remove from deck and allow to air dry completely before storing.

CLEANING:

Remove covers and spot clean with warm water and mild soap. Do not use detergent, bleach, or other harsh chemicals. Air dry covers and pads completely before installation.



Limited Warranty

This Surly product is warranted against defects in materials and workmanship for one year from the date of retail purchase of the product, subject to the limitations detailed below. Save your dated receipt for proof of purchase.

This warranty does NOT cover the following:

- Damage due to improper assembly or follow-up maintenance or lack of skill, competence or experience of the user or assembler
- Products that have been modified, neglected, used in competition or for commercial purposes, misused or abused, involved in accidents or anything other than normal use
- Installation of components, parts or accessories not originally intended for or compatible with Surly product as sold
- Damage or deterioration to the paint, surface finish, aesthetics or appearance of the product
- Normal wear and tear
- Labor required to remove and/or refit and re-adjust the product within the bicycle assembly

This limited warranty is expressly limited to the repair or replacement of a defective product, at the option of Surly, and is the sole remedy of the warranty. This limited warranty applies only to the original purchaser of the Surly product and is not transferable. This warranty applies only to products purchased through an authorized dealer or distributor. In no event shall Surly be liable for any loss, inconvenience or damage, whether direct, incidental, consequential, or otherwise resulting from breach of any express or implied warranty or condition, of merchantability, fitness for a particular purpose, or otherwise with respect to our products except as set forth herein.

This limited warranty gives the consumer specific legal rights, and those rights and other rights may vary from place to place. This limited warranty does not affect your statutory rights.

WARRANTY PROCESS

We will happily back up our products if there is a problem that is our fault. If you and your shop think your Surly product is worthy of a warranty inspection, please return the product to the original place of purchase, accompanied by a sales receipt.

TO THE EXTENT NOT PROHIBITED BY LAW, THESE WARRANTIES ARE EXCLUSIVE AND THERE ARE NO OTHER EXPRESS OR IMPLIED WARRANTIES OR CONDITIONS INCLUDING WARRANTIES OR CONDITIONS OF MERCHANTABILITY AND FITNESS FOR A PARTICULAR PURPOSE.