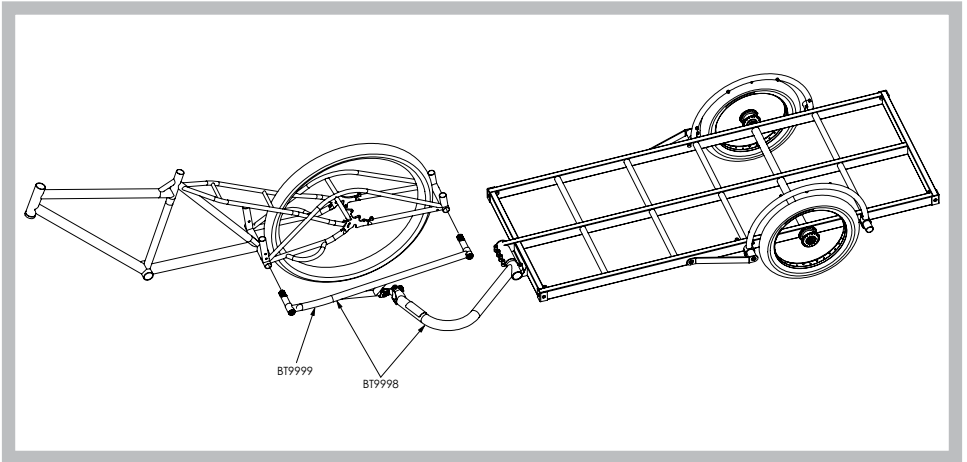




Dummy Trailer Hitch Instructions

Hiya. Thanks for buying a Surly Big Dummy trailer hitch. It is designed to replace the wheel yoke of your Surly Bill or Ted trailer, thereby making it possible to haul your trailer using your Big Dummy cargo bike.

⚠WARNING: Cycling can be dangerous. Bicycle products should be installed and serviced by a professional mechanic. Never modify your bicycle or accessories. Read and follow all product instructions and warnings including information on the manufacturer's website. Inspect your bicycle before every ride. Always wear a helmet.



Additional Product and Safety Information can be found at the website – <http://surlybikes.com/safety>

The Dummy Trailer Hitch is intended to be an attachment point on your Big Dummy for your Bill and Ted Trailer thus eliminating the need to ever have a car again. Ever. It IS NOT intended to be platform for feet.

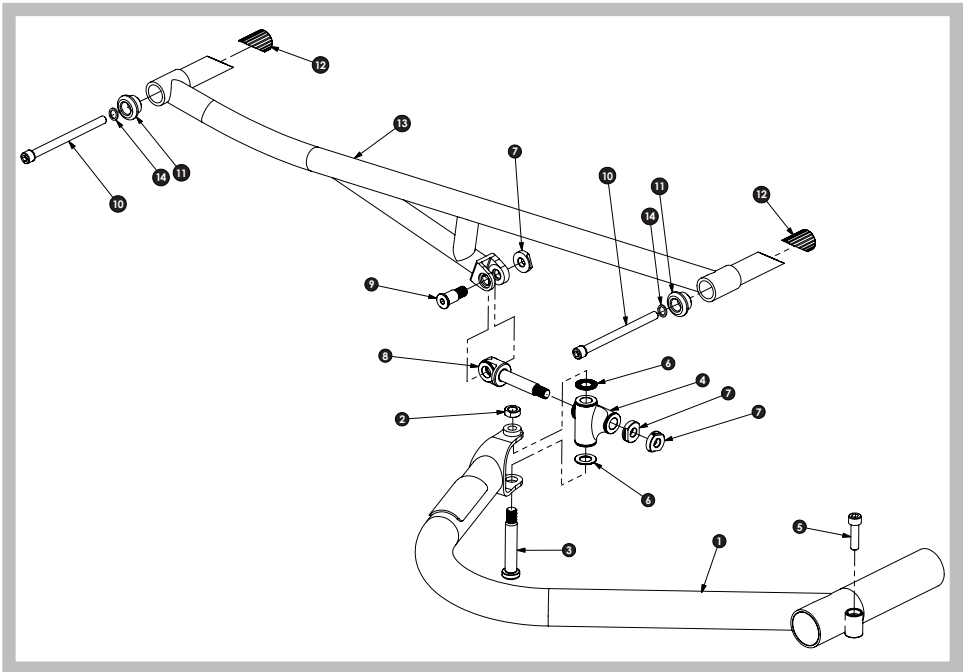
Tools Needed

Grease

- (1) 6mm Allen wrench
- (1) 14mm box or open wrench
- (2) 17mm cone wrenches

Hitch Parts List

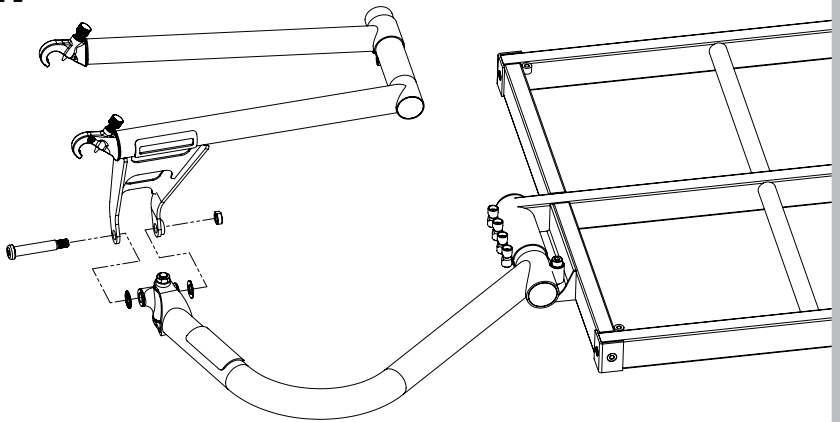
Part#	Description	Quantity BT9999	Quantity BT9998
1	Trailer Boom Arm	—	1
2	Lock Nut (M10 x 1.0mm)	—	1
3	Pivot Bolt (M10 x 1.0mm)	—	1
4	Hammer Joint	—	1
5	Safety Bolt Screw (M8 x 30mm)	—	1
6	Serrated Washer	—	2
7	Lock Nut (M10 x 1.0mm)	3	3
8	Hammer Joint Pivot Bolt	1	1
9	Pivot Bolt	11	11
10	Quill Bolt (M6 x 110L)	2	2
11	Cap	2	2
12	Quill Wedge	2	2
13	Welded Hitch Assembly	1	1
14	M8 Washer	2	2



Installation

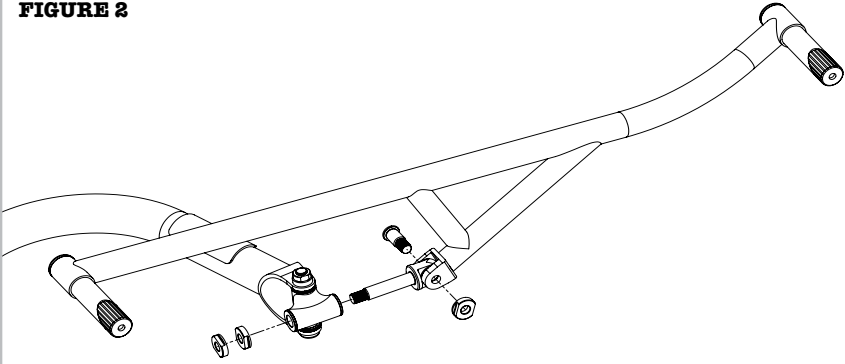
1. If you have purchased BT9999 [Big Dummy hitch only], proceed to step 2. If you have purchased BT9998 [Big Dummy Hitch and Boom assembly], jump ahead to step 4 and or refer to step 10 of the Bill and Ted Trailer Assembly instructions.
surlybikes.com/uploads/downloads/Surly_Trailer_Instruction.pdf
2. Disassemble trailer hitch by detaching yoke from boom. **See Figure 1.** To do this, remove the lock nut on the horizontal pivot bolt of the hammer joint with a 14mm wrench. Next, un-thread the pivot bolt from the assembly by using a 6mm Allen wrench. The serrated washers on each end of the hammer joint can be removed as well. They will not be needed with the Big Dummy hitch. Leave the hammer joint pivot assembly attached to the trailer's boom arm.

FIGURE 1



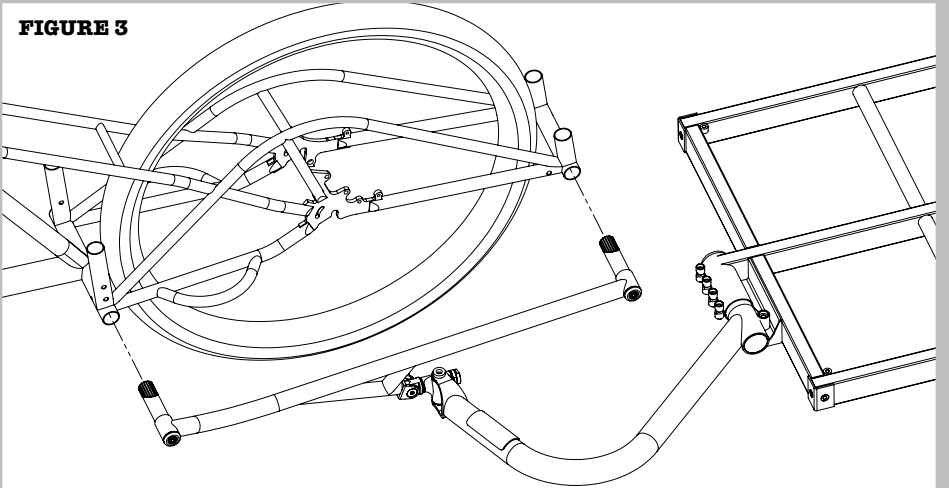
3. Connect the Big Dummy hitch to your trailer. **See Figure 2.** Connect the hammer joint pivot bolt to the hitch by threading the short pivot bolt through the clevis. Use a 6mm Allen wrench to tighten pivot bolt until the joint is snug. Assemble a lock nut on the pivot bolt which extends through the clevis. Tighten lock nut to secure pivot adjustment. Connect the hitch to the trailer boom by sliding the hammer joint pivot bolt through the hammer joint. Thread a lock nut on the exposed end of bolt and tighten with a 17mm cone wrench until joint is snug. Install a second nut on the same threads and lock nuts together to secure adjustment. Tighten lock nuts for each pivot to 30Nm and double check pivot adjustments, as pivot resistance may change when locknuts are tightened.
Note: Each pivot should have no slop and move with mild resistance.

FIGURE 2



4. Attach trailer to bicycle by inserting hitch quill shafts into the horizontal mounting tubes of your Big Dummy frame. **See Figure 3.** Thoroughly grease the quill bolt threads and quill shafts before inserting them into the frame. When fully inserted, torque quill bolts to a minimum of 10Nm.

FIGURE 3



5. Go ride and stuff.

Stay Safe

Trailers change the handling characteristics of your bike. Test the braking and turning characteristics of your bike with an empty trailer before riding with a full load. Make sure cargo is evenly distributed and trailer weight limits are not exceeded. Don't carry people or other animals on your trailer; it wasn't designed for that. Frequently check to see that fasteners are secured properly and tightly.

Ongoing Maintenance

Periodically check to make sure all bolts are tightened to proper spec and occasionally re-greased.

Limited Warranty

This SURLY product is warranted against defects in materials and workmanship for three years from the date of retail purchase of the product, subject to the limitations detailed below. Save your dated receipt for proof of purchase.

This warranty does NOT cover the following:

- Damage due to improper assembly or follow-up maintenance or lack of skill, competence or experience of the user or assembler
- Products that have been modified, neglected, used in competition or for commercial purposes, misused or abused, involved in accidents or anything other than normal use
- Installation of components, parts or accessories not originally intended for or compatible with bicycle as sold
- Damage or deterioration to the paint, surface finish, aesthetics or appearance of the product
- Normal wear and tear
- Labor required to remove and/or refit and re-adjust the product within the bicycle assembly

This limited warranty is expressly limited to the repair or replacement of a defective product, at the option of SURLY, and is the sole remedy of the warranty. This limited warranty applies only to the original purchaser of the SURLY product and is not transferrable. This warranty applies only to products purchased through an authorized dealer or distributor. In no event shall SURLY be liable for any loss, inconvenience or damage, whether direct, incidental, consequential, or otherwise resulting from breach of any express or implied warranty or condition, of merchantability, fitness for a particular purpose, or otherwise with respect to our products except as set forth herein.

This limited warranty gives the consumer specific legal rights, and those rights and other rights may vary from place to place. This limited warranty does not affect your statutory rights.

TO THE EXTENT NOT PROHIBITED BY LAW, THESE WARRANTIES ARE EXCLUSIVE AND THERE ARE NO OTHER EXPRESS OR IMPLIED WARRANTIES OR CONDITIONS INCLUDING WARRANTIES OR CONDITIONS OF MERCHANTABILITY AND FITNESS FOR A PARTICULAR PURPOSE.

Contact us:

By all means, give us your feedback!

surlly

Phone: 877.743.3191

Web: www.surllybikes.com

E-mail: derby@surllybikes.com

Where We Is: 6400 W. 105th st., Bloomington, Mn 55438 USA