



Big Easy 2.0 Framesheet

RETAILER: This framesheet **MUST BE** provided to the end user.

Thanks for spending your hard-earned money on a Surly Big Easy. Seriously, we really appreciate it. You could've picked something else but you didn't, and that means a lot to us. We've put a lot of work into making a great-riding bike that you'll enjoy for a long time. Before you read any further take a minute and write down this frame's serial number. If you should ever experience a problem with it, the serial number will help us get things sorted, and if your bike is ever stolen the serial number is undeniable proof that it's yours. So take a minute and write it down. Your frame's individual serial number is located on the top of the motor mount.

SERIAL NUMBER: _____

⚠️ **WARNING:**

- **Cycling can be dangerous. Bicycle products should be installed and serviced by a professional mechanic. Never modify your bicycle or accessories. Read and follow all product instructions and warnings including information on the manufacturer's website. Inspect your bicycle before every ride. Always wear a helmet**
- **Do not use rigid forks exceeding 420mm axle-to-crown. Doing so will void the frame warranty and may result in damage or failure of the frame, and possible serious injury**
- **Always check for 6mm of clearance between the front tire and/or fender and any accessory fitted to the accessory mounts located on the underside of the downtube. Check the entire steering range**

For additional product and safety information, Surly owner's manuals, or Bosch component manuals, please visit surlybikes.com/safety.

Please note that the specifications and information in this particular framesheet are subject to change for product improvement. For the latest information, go to surlybikes.com or Bosch-ebike.com.

Frame Compatibility

Tubing: 100% Surly Chromoly steel, 'Natch tubing, double-buttet main triangle, TIG welded

Rear hub compatibility: 12 x 148mm

Brake compatibility: 74mm Post (180-203mm rotor)

Water bottle mounts: Up to four (depends on frame size and battery configuration)

Fender mounts: Yes (compatible only with quick-release fenders)

Rack mounts: Yes (Surly Dummy Cargo accessories)

Other accessory compatibility: Integrated double-leg kickstand; internal cable routing for dropper post, brake, derailleur, and light; Dual Bosch PowerPack battery mounts

Seatpost: 30.9mm

Seatpost clamp: 33.1mm

Headset/Steerer tube: EC34/28.6 upper, EC34/30 lower

Tire clearance: 26 x 2.1" to 26 x 2.5" (with fenders); individual tire and rim combos effect tire clearance

Intended Use



CONDITION 2

This is a set of conditions for the operation of a bicycle that includes Condition 1 as well as unpaved and gravel roads and trails with moderate grades. In this set of conditions, contact with irregular terrain and loss of tire contact with the ground may occur. Drops are intended to be limited to 15cm (6") or less. Please see link to Bike Owner's Manual on surlybikes.com/safety for a complete list of riding condition descriptions.

MAXIMUM WEIGHT LIMIT

Rider: 300 lb (136kg)

Cargo: 200 lb (90kg)

Max Combined: 400 lb (181kg)

AB 1096 CALIFORNIA EBIKE CLASS: CLASS 1, MOTOR: 250W, SPEED LIMIT: 20 MPH

⚠️ **WARNING:** Your ebike is intended for use by persons 16 years of age and older. Riders must have the physical coordination, reaction, and mental capabilities to control a bike and manage traffic, road conditions, and sudden situations, and also to respect the laws and instructions governing bicycle use.

Not Intended

This bike is intended to be operated only on maintained roads that are legally open to bicycles with pedal-assist motors. The bicycle is not intended for mountain biking, jumping, or racing.

Special Licensing, Permits, or a Helmet may be Required by State or Local Laws

⚠ WARNING: It is your responsibility to know and follow all local laws and regulations. Laws can vary by city and state, and you may need to fit your bicycle with additional equipment to comply with local laws. Do not ride your bicycle until all locally required reflectors, lighting, and other safety devices have been installed by a professional bike mechanic. Special licensing or permits may be required.

Operation Guide

Your Surly bicycle has an electric pedal-assist drive system. It is not a moped or motorcycle. The drive assist system consists of a drive unit, a battery, a computer control, and various electronic components (harness wires, sensors, and switches).

It is important to know that when the assist system is turned ON, the drive unit engages only when you are pedaling. The amount of power provided depends on your pedaling force and the assistance mode you set with the handlebar control unit. When you stop pedaling, the assist will disengage or turn off. Pedal assist will reduce as you approach 20 mph and cut off at any speed above that.

The Big Easy is a unique bicycle. The electric assist, large cargo capability, and versatility all require practice to master. Before your first extended ride, take time to practice in a safe area and learn the controls until you are confident in your handling and ability to focus on the ride.

Battery Range

Battery performance will be an important consideration on your Big Easy. The range of your battery will be affected by many things like storage, charging, and riding conditions. For example, cold weather, head winds, and extra cargo will limit your range. On the other hand, proper pedaling cadence and optimal battery storage conditions will increase your operating range. It will take practice and experience with your bicycle to fully understand its capabilities. Bosch has a lot of great tools and information to help you.

Read through the material included with your Big Easy and visit bosch-ebike.com for detailed information. Take special note to visit bosch-ebike.com/en/service/range-assistant/ for a slick tool to help estimate your battery range.

Dual Battery Upgrade

The Big Easy bike comes stock with one battery mounted low behind the seat tube, but it is capable of operating with a second battery mounted to the downtube. Depending on the size of your second battery, you can effectively double the electric assist range of the stock Big Easy. The stock Big Easy includes a small aluminum battery mounting block in the small parts box. The mounting block is necessary for mounting a second battery to the downtube. All Bosch components and hardware required for dual-battery setups must be purchased separately and are not included with the stock bike. This upgrade and all service must be performed by a Bosch-certified ebike dealer.

Visit <https://www.bosch-ebike.com/us/service/dealer-search#> to find a list of the certified dealers in your area.

Carrying A Passenger

Child passengers must use seat pads unless secured in a child carrier. Big Dummy Bags or another compatible foot-retention and wheel-guarding system must be installed for all passengers.

If you are planning to carry a child on your Big Easy, Surly recommends the use of a child seat. The Thule Yepp Nexxt Maxi and Burley Dash RM are both great options that work well on the Big Easy. At this time, other child seats are not endorsed by Surly to carry a child on Big Easy.

NOTE: While mounting a child seat, find a location on the deck that prevents the attachment hooks on the bottom of the child seat from interfering with the deck pedestals (see Figure 1). Slide the seat forward or back to find a location where the child seat mounting hooks can fully clamp on the outside rail of the deck only. If the hooks on the child seat interfere with the deck pedestals, the seat will not attach to the deck securely.

⚠ WARNING: An improperly attached child seat may result in a fall and serious injury to the passenger. Check child seat security before placing a passenger in the seat and after every ride. Ensure all installation mechanisms are fully engaged as defined by the child seat manufacturer's instructions.

Regardless of the passenger's age, we always recommend the use of the Surly Deck Bar to give your passenger(s) something to hang on to. The Surly Kid Corral is a great option for additional passenger security and grip options.

Carrying any passenger or other cargo can significantly change the way your Big Easy handles. After loading the Big Easy, practice riding in a low-traffic area to familiarize yourself with how to turn, stop, and maneuver your bike with the additional load. For the most up-to-date information regarding compatibility and options, check surlybikes.com/safety.

⚠ WARNING: Failure to follow any of these requirements may lead to instability, resulting in a crash and serious injury.

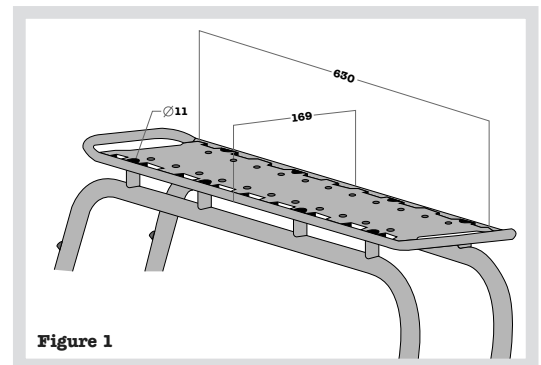


Figure 1

Electrical Component Storage and Transportation

⚠ WARNING:

- Follow all storage and transportation requirements for your ebike that Bosch has outlined in the battery and charging manuals. Failure to do so could result in serious injury
- Always remove battery before storing or transporting the bike. Accidental activation of the drive system can result in serious injury
- Only use an ebike-approved car rack for transport. Check with your rack manufacturer to ensure your ebike is compatible. Overloading a bike rack can result in serious injury



Frame Care and Maintenance

Keep your frame clean. Dirt and road grime lead to oxidation and fading of the finish, and they make it hard to do a thorough inspection. Dirt will accelerate any abrasion of the paint that comes from rubbing, such as places where the cable housing touches the frame. In extreme cases, this type of abrasion could remove frame material. When your bicycle is not being ridden, store it where it will be protected from rain, snow, sun, etc. Rain or snow may cause the metal on your frame to corrode. We recommend applying Problem Solvers Frame Saver to the inside of the tubes before the frame is assembled into a bike. If your bicycle is exposed to moisture during a ride, thoroughly dry the bicycle before storing it. If water gets inside the frame, tilt the bicycle to drain the water. If necessary, remove the seatpost and turn the bicycle upside down. This is especially critical if there is a large amount of water inside. If water freezes inside your frame, the expansion of the ice can crack and rupture the structure.

When cleaning your bike, use a damp sponge or a soft brush with only a mild soap and water solution. Rinse the sponge often. Do not spray water.

Before storing your bicycle for an extended period of time, clean and lubricate the frame with a frame wax, polish, or protectant.

Inspection

To make sure your bicycle is serviced and maintained correctly, and that you protect applicable warranties, please coordinate all service and maintenance through your authorized Surly Dealer.

⚠ WARNING: Always remove battery before working on the bicycle. Accidental activation of the drive system can result in serious injury.

- Any part of a poorly maintained bike can break or malfunction leading to an accident where you could be severely injured. Please ask your Surly Dealer to help you develop a maintenance program which includes the list of parts on your bike for YOU to check regularly
- Keep water away from electrical components
- Make sure the bike is secured upright and cannot fall over while you are cleaning it. Do not rely on the kickstand. Use a sturdy bike stand to hold the bike
- Follow the maintenance and cleaning requirements for your battery and charging components in the Bosch manuals. Failure to do so could result in serious injury

NOTICE: Unauthorized service, maintenance, or repair parts can result in serious damage and void your warranty.

Before every ride carefully inspect your frame for signs of fatigue. If any frame part shows signs of damage or fatigue, consult your dealer or replace the frame before riding the bicycle.

⚠ WARNING:

- **An improperly modified frame, fork, or component can cause you to lose control and fall. NEVER MODIFY YOUR FRAMESET**
- **DO NOT MODIFY THIS BICYCLE. Doing so can result in damage, dangerous operating conditions, or violation of local laws. Modification may also void your warranty**
- **Attaching incompatible clamping devices to a fork can lead to fork breakage, causing a loss of control. If you are not sure if a device is compatible, consult your dealer**
- **Improper installation of bolts may lead to product failure, causing serious injury. Do not exceed specified torque values. Periodically inspect bolts and retighten if required**

Limited Warranty

This Surly product is warranted against defects in materials and workmanship for three years from the date of retail purchase of the product, subject to the limitations detailed below. Save your dated receipt for proof of purchase.

This warranty does NOT cover the following:

- Damage due to improper assembly or follow-up maintenance or lack of skill, competence or experience of the user or assembler
- Products that have been modified, neglected, used in competition or for commercial purposes, misused or abused, involved in accidents or anything other than normal use
- Installation of components, parts or accessories not originally intended for or compatible with bicycle as sold
- Damage or deterioration to the paint, surface finish, aesthetics or appearance of the product
- Normal wear and tear
- Labor required to remove and/or refit and re-adjust the product within the bicycle assembly

This limited warranty is expressly limited to the repair or replacement of a defective product, at the option of SURLY, and is the sole remedy of the warranty. This limited warranty applies only to the original purchaser of the SURLY product and is not transferable. This warranty applies only to products purchased through an authorized dealer or distributor. In no event shall SURLY be liable for any loss, inconvenience or damage, whether direct, incidental, consequential, or otherwise resulting from breach of any express or implied warranty or condition, of merchantability, fitness for a particular purpose, or otherwise with respect to our products except as set forth herein.

This limited warranty gives the consumer specific legal rights, and those rights and other rights may vary from place to place. This limited warranty does not affect your statutory rights.

TO THE EXTENT NOT PROHIBITED BY LAW, THESE WARRANTIES ARE EXCLUSIVE AND THERE ARE NO OTHER EXPRESS OR IMPLIED WARRANTIES OR CONDITIONS INCLUDING WARRANTIES OR CONDITIONS OF MERCHANTABILITY AND FITNESS FOR A PARTICULAR PURPOSE. YOUR INSURANCE POLICES MAY NOT PROVIDE COVERAGE FOR ACCIDENTS INVOLVING THE USE OF THIS BICYCLE. TO DETERMINE IF COVERAGE IS PROVIDED YOU SHOULD CONTACT YOUR INSURANCE COMPANY OR AGENT.

Fiche de cadre Big Easy 2.0

MARCHAND : cette fiche de cadre DOIT ÊTRE remise à l'utilisateur final.

Merci d'avoir dépensé votre argent durement gagné dans un Surly Big Easy. Sérieusement, nous vous sommes reconnaissant. Vous auriez pu choisir autre chose, mais vous ne l'avez pas fait, et ça compte beaucoup pour nous. Nous avons beaucoup travaillé à la fabrication d'un vélo confortable qui vous profitera pendant longtemps. Avant de poursuivre la lecture, prenez une minute et notez le numéro de série de ce cadre. En cas de problème, le numéro de série nous aidera à le résoudre, et si votre vélo est volé, le numéro de série est la preuve indéniable qu'il vous appartient. Prenez donc une minute pour le noter. Le numéro de série individuel de votre cadre se trouve sur le dessus du support du moteur.

NUMÉRO DE SÉRIE : _____

⚠ AVERTISSEMENT :

- **Le cyclisme peut être dangereux. Les pièces pour vélo doivent être montées et réparées par un mécanicien professionnel. Ne modifiez jamais votre vélo ou ses accessoires. Lisez et suivez tous les avertissements et modes d'emploi des produits, y compris les renseignements sur le site Web du fabricant. Inspectez votre vélo avant chaque sortie. Portez toujours un casque.**
- **N'utilisez pas de fourches rigides dépassant 420 mm de longueur. Ceci annulerait la garantie du cadre et pourrait entraîner des dommages ou une défaillance du cadre, voire des blessures graves.**
- **Vérifiez toujours qu'il se trouve un dégagement de 6 mm entre le pneu avant et le garde-boue avant et tout accessoire monté sur les supports d'accessoires situés sous le tube oblique. Vérifiez l'ensemble de la plage de direction.**

Pour plus d'information sur les produits et la sécurité, les manuels d'utilisation de Surly ou les manuels des composants Bosch, veuillez consulter le site surlybikes.com/safety.

Veillez noter que les spécifications et les renseignements contenus dans cette fiche de cadre particulière sont sujets à modification pour améliorer le produit. Pour les renseignements les plus récents, rendez-vous sur surlybikes.com ou Bosch-ebike.com.

Compatibilité du cadre

Tubes : 100 % acier Surly Chromoly, tubes 'Natch, triangle principal à double renfort, soudure TIG

Compatibilité du moyeu arrière : 12 x 148 mm

Compatibilité des freins : support de 74 mm (disque de 180-203 mm)

Porte-bidons : jusqu'à à quatre (en fonction de la taille du cadre et de la configuration de la batterie)

Supports de garde-boue : oui (compatible uniquement avec les garde-boue à fixation rapide)

Supports de porte-bagages : oui (accessoires de chargement Surly Dummy)

Compatibilité avec d'autres accessoires : béquille intégrée à double patte ; acheminement interne des câbles pour la tige de selle télescopique, le frein, le dérailleur et l'éclairage ; supports pour deux batteries Bosch PowerPack

Tige de selle : 30,9 mm

Collier de serrage de la tige de selle : 33,1 mm

Jeu/tube de direction : partie supérieure EC34/28.6, partie inférieure EC34/30

Dégagement pour les pneus : 26 x 2,1 po à 26 x 2,5 po (avec garde-boue) ; les combinaisons particulières de pneus et de jantes affectent le dégagement des pneus

Usage prévu



CONDITION 2

Il s'agit d'un ensemble de conditions pour l'utilisation d'un vélo qui comprend la Condition 1 ainsi que les routes et chemins non goudronnés en gravier en pente modérée. Dans de telles conditions, il arrive qu'il y ait contact avec un terrain irrégulier et perte de contact des pneus avec le sol. Les dénivellations prévues sont limitées à 15 cm (6 po) ou moins. Veuillez consulter le lien vers le manuel du propriétaire du vélo sursurlybikes.com/safety pour une liste complète de descriptions des conditions de conduite.

LIMITE DE POIDS

Cycliste : 136 kg (300 lb)

Chargement : 90 kg (200 lb)

Max. total : 181 kg (400 lb)

CLASSE DE VÉLOS ÉLECTRIQUES AB 1096 DE CALIFORNIE : CLASSE 1, MOTEUR : 250 W, LIMITE DE VITESSE : 32 KM/H (20 MI/H)

⚠ **AVERTISSEMENT :** votre vélo électrique est destiné aux personnes âgées de 16 ans et plus. Les cyclistes doivent posséder la coordination physique, la réactivité et les capacités mentales nécessaires pour contrôler un vélo et gérer la circulation, les conditions routières et tout autre situation soudaine, ainsi que pour respecter les lois et instructions régissant l'utilisation d'un vélo.

Usage non prévu

Ce vélo est uniquement destiné à être utilisé sur des routes entretenues qui sont légalement ouvertes aux vélos équipés d'un moteur d'assistance au pédalage. Le vélo n'est pas destiné au vélo tout terrain, aux sauts ou à la course.

Une licence spéciale, un permis ou un casque peuvent être exigés par les lois de l'État ou provinciales ou les lois locales

⚠ AVERTISSEMENT : il est de votre responsabilité de connaître et de respecter toutes les lois et réglementations locales. Les lois peuvent varier d'une ville et d'un État/province à l'autre, il se peut que vous ayez besoin d'installer des équipements supplémentaires sur votre vélo pour vous conformer aux lois locales. N'utilisez pas votre vélo tant que tous les réflecteurs, l'éclairage et autres dispositifs de sécurité requis localement n'ont pas été installés par un vélociste. Une licence ou un permis spécial peut être obligatoire.

Guide d'utilisation

Votre vélo Surly est équipé d'un système d'assistance électrique au pédalage. Il n'est pas un cyclomoteur ou une moto. Le système d'assistance se compose d'un moteur d'entraînement, d'une batterie, d'une commande par ordinateur et de divers composants électroniques (faisceaux de fils, capteurs et contacteurs).

Il est important de savoir que lorsque le système d'assistance est mis sous tension, le moteur ne s'engage que lorsque vous pédalez. La puissance fournie dépend de votre force de pédalage et du mode d'assistance que vous réglez avec l'unité de commande au guidon. Quand vous arrêtez de pédaler, l'assistance se désengage ou s'arrête. L'assistance au pédalage diminue à l'approche de 32 km/h (20 mi/h) et s'arrête à toute vitesse supérieure à ce plafond.

Le Big Easy est un vélo unique. L'assistance électrique, la grande capacité de chargement et la polyvalence, tout cela exige de la pratique pour maîtriser. Avant votre première longue sortie, prenez le temps de vous entraîner dans un endroit sécuritaire et d'apprendre les commandes jusqu'à ce que vous ayez confiance en votre pilotage et que vous puissiez vous concentrer sur la sortie.

Autonomie de la batterie

La performance de la batterie sera un point important à prendre en compte pour votre Big Easy. L'autonomie de votre batterie sera affectée par de nombreux facteurs tels que les conditions de stockage, de charge et d'utilisation. Par exemple, le froid, le vent de face et un chargement supplémentaire limiteront votre rayon d'action. Par contre, une bonne cadence de pédalage et des conditions optimales de stockage de la batterie augmenteront votre autonomie. Avec de la pratique et de l'expérience avec votre vélo, vous aurez une compréhension complète de ses capacités. Bosch met à disposition beaucoup d'outils et d'information pour vous aider.

Lisez la documentation fournie avec votre Big Easy et rendez-vous sur [bosch-ebike.com](https://www.bosch-ebike.com) pour des renseignements détaillés. Veillez à visiter [bosch-ebike.com/en/service/range-assistant/](https://www.bosch-ebike.com/en/service/range-assistant/) pour accéder à un outil pratique qui vous aidera à estimer l'autonomie de votre batterie.

Optimisation à deux batteries

Le vélo Big Easy est livré de série avec une batterie montée en bas derrière le tube de selle, mais il est capable de fonctionner avec une deuxième batterie montée sur le tube oblique. En fonction des dimensions de votre deuxième batterie, vous pouvez doubler effectivement l'autonomie d'assistance électrique du Big Easy d'origine. Le Big Easy de série comprend une plaquette en aluminium de fixation de la batterie dans la boîte des petites pièces. La plaquette de fixation est nécessaire pour monter une deuxième batterie sur le tube oblique. Tous les composants et le matériel Bosch requis pour les installations à double batterie doivent être achetés séparément et ne sont pas inclus avec le vélo de série. Cette optimisation et tout l'entretien doivent être effectués par un revendeur de vélos électriques Bosch certifié.

Rendez-vous sur <https://www.bosch-ebike.com/us/service/dealer-search#> pour trouver une liste des revendeurs certifiés dans votre région.

Transport d'un passager

Les enfants passagers doivent utiliser des coussins de siège à moins qu'ils ne soient attachés dans un siège pour enfant. Des sacoches Big Dummy ou un autre système compatible de retenue des pieds et de protection des roues doivent être installés pour tous les passagers.

Si vous envisagez de transporter un enfant sur votre Big Easy, Surly recommande l'utilisation d'un siège pour enfant. Le Thule Yepp Nexxt Maxi et le Burley Dash RM constituent deux excellentes options qui fonctionnent bien sur le Big Easy. Pour l'instant, Surly ne préconise pas d'autres sièges pour enfants pour transporter un enfant sur le Big Easy.

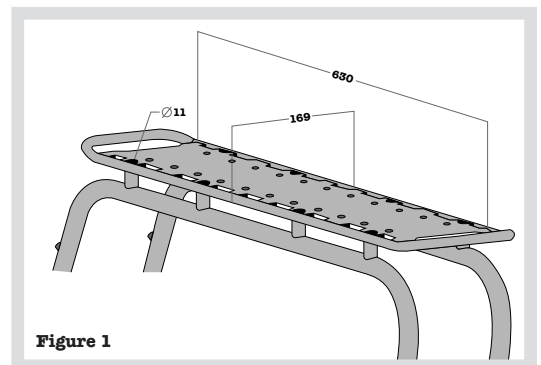
REMARQUE : lors du montage d'un siège pour enfant, trouvez un emplacement sur le plateau qui empêche les crochets de fixation situés au bas du siège pour enfant d'interférer avec les supports du plateau (figure 1). Faites glisser le siège vers l'avant ou vers l'arrière pour trouver un emplacement où les crochets de fixation du siège pour enfant peuvent être complètement serrés sur le rail extérieur du plateau uniquement. Si les crochets du siège pour enfant interfèrent avec les supports du plateau, le siège ne pourra pas être fixé solidement au plateau.

⚠ AVERTISSEMENT : la fixation incorrecte d'un siège pour enfant peut entraîner une chute et des blessures graves pour le passager. Vérifiez la sécurité du siège pour enfant avant d'y installer un passager et après chaque trajet. Assurez-vous que tous les mécanismes d'installation sont complètement enclenchés, comme indiqué dans les instructions du fabricant du siège pour enfant.

Quel que soit l'âge du passager, nous recommandons toujours l'utilisation du cintre de plateau Surly Deck Bar pour que votre ou vos passagers puissent s'accrocher à quelque chose. Le Surly Kid Corral est une excellente option pour une sécurité supplémentaire du passager et des options de prise.

Le transport d'un passager ou d'un autre chargement peut modifier considérablement la maniabilité de votre Big Easy. Après avoir chargé le Big Easy, exercez-vous dans un endroit peu fréquenté pour vous familiariser avec la façon de tourner, d'arrêter et de manœuvrer votre vélo avec la charge supplémentaire. Pour les renseignements les plus récents concernant la compatibilité et les options, consultez le site [surlybikes.com/safety](https://www.surlybikes.com/safety).

⚠ AVERTISSEMENT : le non-respect de l'une ou l'autre de ces exigences peut entraîner une instabilité et occasionner un accident et des blessures graves.



Stockage et transport des composants électriques

⚠ AVERTISSEMENT :

- Respectez toutes les consignes de stockage et de transport de votre vélo électrique que Bosch a précisées dans les manuels de la batterie et de charge. Le non-respect de ces consignes peut entraîner des blessures graves.
- Retirez toujours la batterie avant de ranger ou de transporter le vélo. L'activation accidentelle du système d'entraînement peut entraîner des blessures graves.
- Pour le transport, n'utilisez qu'un porte-vélos homologué pour vélos électriques. Vérifiez auprès du fabricant de votre porte-vélos pour vous assurer que votre vélo électrique est compatible. La surcharge d'un porte-vélos peut entraîner des blessures graves.



Entretien et maintenance du cadre

Gardez votre cadre propre. La saleté et les souillures de la route entraînent l'oxydation et la décoloration de la finition, ce qui complique les inspections minutieuses. La saleté accélère toute abrasion de peinture résultant d'un frottement, comme à l'endroit où la gaine de câble touche le cadre. Dans des cas extrêmes, ce type d'abrasion peut éliminer du matériau constituant le cadre. Quand votre vélo n'est pas utilisé, rangez-le à l'abri de la pluie, de la neige, du soleil, etc. La pluie ou la neige peuvent causer la corrosion du métal de votre cadre. Nous recommandons d'appliquer du Problem Solvers Frame Saver à l'intérieur des tubes avant d'assembler le cadre en un vélo. Si votre vélo est exposé à de l'humidité pendant une sortie, séchez-le soigneusement avant de le ranger. Si de l'eau s'infiltré dans le cadre, inclinez le vélo pour l'évacuer. Le cas échéant, retirez la tige de selle et retournez le vélo. Cette procédure est essentielle si une grande quantité d'eau est présente à l'intérieur. Si de l'eau gèle à l'intérieur du cadre, la dilatation de la glace peut fissurer et faire éclater la structure.

Pour nettoyer votre vélo, utilisez une éponge humide ou une brosse douce avec une solution d'eau et de savon doux uniquement. Rincez souvent l'éponge. Ne pulvérisez pas d'eau.

Avant de ranger votre vélo pour une période prolongée, nettoyez et lubrifiez le cadre avec de la cire pour cadre ou du produit à polir ou protecteur.

Inspection

Pour vous assurer d'un entretien correct de votre vélo et que vous protégez les garanties applicables, veuillez coordonner tout l'entretien et la maintenance auprès de votre marchand agréé Surly.

⚠ AVERTISSEMENT : retirez toujours la batterie avant de travailler sur le vélo. L'activation accidentelle du système d'entraînement peut entraîner des blessures graves.

- Toute pièce d'un vélo mal entretenu peut se briser ou mal fonctionner, ce qui peut entraîner un accident et vous causer de graves blessures. Veuillez demander à votre marchand Surly de vous aider à élaborer un programme d'entretien qui comprend la liste des pièces de votre vélo et que VOUS pourrez vérifier régulièrement.
- N'approchez pas d'eau des composants électriques.
- Assurez-vous que le vélo est fixé droit et qu'il ne peut pas tomber pendant que vous le nettoyez. Ne vous fiez pas à la béquille. Utilisez un support de vélo robuste pour tenir le vélo.
- Respectez les consignes d'entretien et de nettoyage de votre batterie et des composants de charge qui figurent dans les manuels Bosch. Le non-respect de ces consignes peut entraîner des blessures graves.

AVIS : une réparation, un entretien ou des pièces de rechange non autorisés peuvent causer de sérieux dommages et annuler votre garantie.

Inspectez minutieusement votre cadre à la recherche du moindre signe d'usure avant chaque utilisation. Si une partie du cadre présente des signes de dommages ou d'usure, contactez votre revendeur ou remplacez le cadre avant d'utiliser votre vélo.

⚠ AVERTISSEMENT :

- **Un cadre, une fourche ou tout autre composant modifié de façon inappropriée peut entraîner une perte de contrôle et une chute. NE MODIFIEZ JAMAIS VOTRE CADRE.**
- **NE MODIFIEZ PAS CE VÉLO. Vous risqueriez de l'endommager, de créer des conditions d'utilisation dangereuses ou de violer les lois locales. Une modification peut également annuler votre garantie.**
- **La fixation de dispositifs de serrage incompatibles sur une fourche peut entraîner une rupture de celle-ci et une perte de contrôle. Si vous n'êtes pas sûr si un dispositif est compatible, consultez votre marchand.**
- **Une installation incorrecte des vis peut entraîner une défaillance du produit et causer des blessures graves. Ne dépassez pas les valeurs de couple spécifiées. Inspectez périodiquement les vis et resserrez-les si nécessaire.**

Garantie limitée

Ce produit Surly est garanti contre les défauts de pièces et de main-d'œuvre pendant trois ans à compter de la date d'achat du produit, sous réserve des limitations indiquées ci-dessous. Conservez votre facture datée en guise de preuve d'achat.

Cette garantie ne couvre PAS les éléments suivants :

- Les dommages causés par un mauvais assemblage, un mauvais entretien ou par le manque de compétences, d'aptitude ou d'expérience de l'utilisateur ou de l'assembleur
- Les produits qui ont été modifiés, négligés, utilisés lors de compétitions ou à des fins commerciales, utilisés de façon incorrecte ou abusive, qui ont subi des accidents ou un traitement autre qu'une utilisation normale
- L'installation de composants, de pièces ou d'accessoires non compatibles ou non prévus pour être ajoutés au produit tel qu'il est vendu
- Les dommages ou la détérioration de la peinture, du fini, de la qualité esthétique ou de l'apparence du produit
- L'usure normale
- La main-d'œuvre nécessaire pour retirer et/ou remonter et réajuster le produit sur le vélo

Cette garantie limitée est expressément limitée à la réparation ou au remplacement d'un produit défectueux, à l'option de Surly, et ceci constitue le seul recours offert par cette garantie. Cette garantie limitée s'applique uniquement à l'acheteur initial du produit Surly et n'est pas transférable. Cette garantie s'applique uniquement aux produits achetés auprès d'un vendeur ou d'un distributeur autorisé. En aucun cas Surly ne sera responsable de toute perte, tout désagrément ou tout dommage, qu'il soit direct, accidentel, consécutif ou qu'il résulte de tout autre manquement à toute condition ou garantie expresse ou implicite de qualité marchande, d'aptitude à un emploi précis ou autre des produits Surly, exception faire des conditions établies aux présentes.

Cette garantie limitée donne au consommateur des droits juridiques spécifiques, et ces droits et d'autres droits peuvent varier d'un lieu à un autre. Cette garantie limitée n'affecte pas vos droits prévus par la loi.

DANS LA MESURE OÙ LA LOI L'AUTORISE, LES PRÉSENTES GARANTIES SONT EXCLUSIVES ET IL N'EXISTE AUCUNE AUTRE GARANTIE OU CONDITION, EXPLICITE OU IMPLICITE, NOTAMMENT TOUTE GARANTIE OU CONDITION DE QUALITÉ MARCHANDE OU D'APTITUDE À UN EMPLOI SPÉCIFIQUE.

VOS POLICES D'ASSURANCE NE COUVRENT PEUT-ÊTRE PAS LES ACCIDENTS IMPLIQUANT L'UTILISATION DE CE VÉLO. POUR DÉTERMINER SI UNE PROTECTION EST FOURNIE, VOUS DEVRIEZ COMMUNIQUER AVEC VOTRE COMPAGNIE OU AGENT D'ASSURANCE.