



Kid Corral & Deck Bar Instructions

Hi there. Thanks for spending your hard-earned cash on this Surly product. Surly stuff is designed to be useful and durable. We're confident it will serve you well for years to come.

This document outlines how to properly install your new Surly Kid Corral and Deck Bar. If you do not feel comfortable with the installation, please take your bike to your local bike shop so they can get you set up right. If you do not have the proper tools and/or experience to install this product, you could hurt your bike, yourself, or your passenger. Be smart. Do the right thing.

An adult must operate the bicycle and be in control of the system at all times. As a guardian, you are responsible for the safety of minor children, vulnerable adults, or other passengers under your care. This responsibility includes ensuring the Kid Corral system and bicycle are properly assembled, in safe operating condition, and appropriately serviced and maintained. It is your responsibility to make sure passengers know appropriate passenger behavior. Review entrapment points and other hazards with passengers before riding. Make sure passengers are wearing helmets, as well as appropriate clothing and footwear. Clothing may become entrapped in moving parts. Do not allow passengers to wear loose clothing, including scarves, boas, capes, or other loose dress-up or play clothing while riding. You must be physically fit and confident in your ability to operate and stabilize the bicycle. It is your responsibility to make sure local motor vehicle and bicycle traffic laws are obeyed. Read these Instructions and review all the warnings and functions before going on a ride.

⚠️ **WARNING:**

- **Make sure your passenger understands bicycle helmets are for bicycling only and are not to be worn when off the bike. A helmet must not be worn in play areas, on playgrounds, when climbing trees, or at any other time other than while riding the bicycle. Failure to follow this warning could result in serious injury. Passengers and operators should always wear CPSC-certified bicycle helmets.**
- **Cycling can be dangerous. Bicycle products should be installed and serviced by a professional mechanic. Never modify your bicycle or accessories. Read and follow all product instructions and warnings including information on the manufacturer's website. Inspect your bicycle before every ride. Always wear a helmet.**
- **Deck Bar is to be mounted in a forward-facing position only. Do not mount on the rear of deck. Rearward-facing passengers may become entangled or entrapped in the rear wheel and be seriously injured. Interference with the rear wheel may cause an accident resulting in a crash and injury to other passengers or the operator. Passengers should always ride in a forward-facing position**
- **Loose straps or a loose seat pad may become entangled in the wheel or drivetrain, leading to an accident and serious injury. Make sure seat pad straps are fully secured and pad is strapped down tightly covering all deck holes. Check security of the system before every ride**
- **Do not allow any of the passenger's body, clothing, shoe laces, or toys to come into contact with moving parts of the bicycle. Contact with moving parts may result in entrapment or entanglement, resulting in serious injury to passengers. Interference with moving parts may also result in a crash and serious injury to other passengers or the operator. Ensure proper foot retention system is in place.**
- **Loading cargo on top of the Kid Corral may cause product failure, resulting in injury to the operator or passengers, or damage to personal property. Never load cargo on top of corral rails**
- **Never lift a longtail bike while passengers or cargo are loaded. Doing so may result in an accident and injury to the passengers and operator, or damage to personal property. Unload all passengers and cargo, then team-lift the bike from beneath the deck if necessary**

⚠️ **CAUTION:** Passengers must be able to hold their head upright while wearing a bicycle helmet to ride. A physician should evaluate any rider who is of questionable developmental age or ability.

For additional safety information about all Surly products visit: surlybikes.com/safety

Intended Use

The Surly Kid Corral and Deck Bar are compatible with Surly Cargo models. Surly passenger accessories are compatible with all Surly cargo models that feature our Dummy Cargo Kit.

The Surly Kid Corral and Deck Bar are designed for riding within the range of ASTM Condition 2 guidelines:



Condition 2—This is a set of conditions for the operation of a bicycle that includes Condition 1 as well as unpaved and gravel roads and trails with moderate grades. In this set of conditions, contact with irregular terrain and loss of tire contact with the ground may occur. Drops are intended to be limited to 15cm (6") or less.

Check bike max weight limits for cargo and passengers before you ride.

Surly passenger accessories (Kid Corral, Deck Bar, and Deck Pad) are part of a modular system that can be adjusted and configured, as well as be compatible with some aftermarket passenger options. The system can be adjusted to suit you and your passengers' needs and experiences.

The stock Kid Corral system is suitable for 1 or 2 passengers, including older children who do not require the use of a child seat. A Thule Yepp Maxi seat is compatible with the Kid Corral system and may be purchased separately. The Thule Yepp Maxi seat should only be used with the Kid Corral in the "Fully Closed" position, see Corral Configuration images.

The Kid Corral can be configured in several "Open" configurations. In an "Open" configuration, the Kid Corral side supports and mounting bracket will interfere with the Thule Yepp Maxi seat hardware. Do not attempt to mount a Yepp Maxi seat while using any of the "Open" configurations.

Intended Use

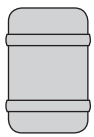
“Open” configurations are only suitable for an experienced operator, and passengers and/or older children who do not require the use of a child seat. We recommend starting in the fully closed position. Once the operator and passenger have become more experienced and comfortable with the system one of the “Open” positions may be used.

When only using the Deck Bar you can use 1 or 2 Deck Pads depending on your passenger count. Passengers should always be seated on a Deck Pad. An additional configuration is to use the Deck Bar, 1 Deck Pad, and a child seat mounted in the rear passenger position. This works well if you have a passenger who requires a more secure ride, and an older more experienced passenger not needing additional security. This is recommend for operators and passengers who are more experienced.

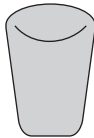
When adding cargo and passengers at the same time, ensure that the cargo is securely held, and that no part of the passenger will come in contact with the wheel, drivetrain, or braking components.

⚠ WARNING: to avoid tip over and possible injury to passengers the operator needs to pay attention to and maintain contact with the bicycle during loading of passengers and cargo or while passengers are seated on the bicycle.

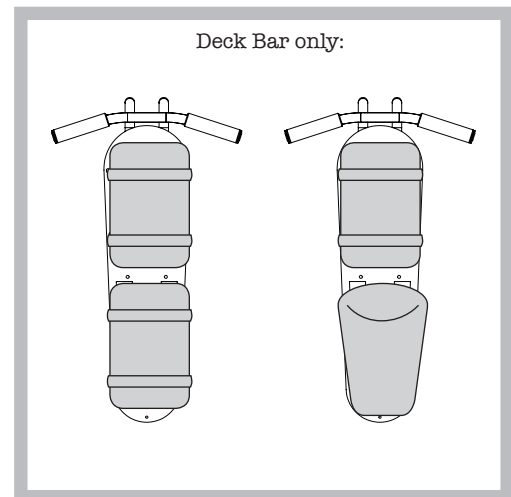
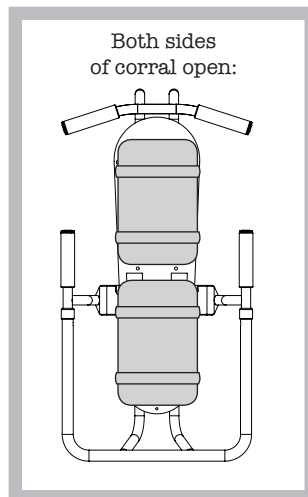
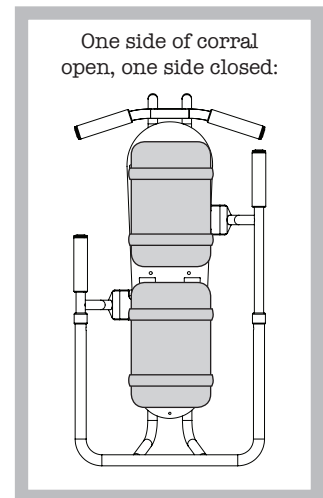
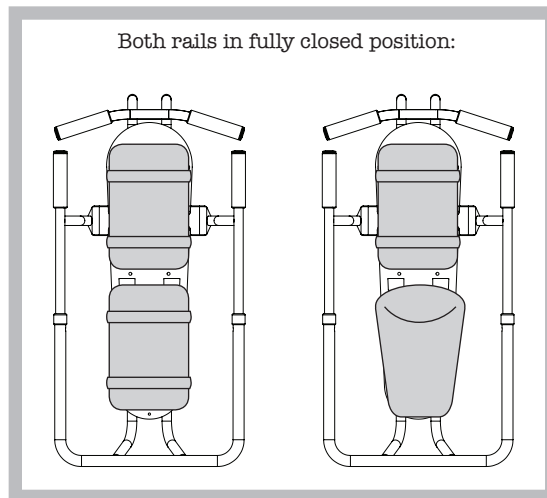
Corral Configurations



Child seated on Deck Pad



Child on Thule Yepp Maxi Seat



Tools Required for Installation

Tools for Kid Corral

- 4mm, 5mm hex keys
- 10mm wrench
- Torque wrench

Tools for Deck Bar

- 5mm hex key
- 10mm wrench
- Torque wrench

Compatibility

Kid Corral and Deck Bar grow with your family and adapt with your needs, as you and your family grow more experienced you can adjust one or both of the side rails.

⚠ WARNING: Never adjust the Kid Corral or Deck Bar with passengers on the deck. Unload passengers and cargo before making any adjustments to the Kid Corral, Deck Bar, or Big Dummy Deck and Bags system. Attempting to do so may cause a fall or tip-over resulting in serious injury to operator or passengers.

Deck Bar and Corral are compatible with standard $\varnothing 22.2$ mm dimension handlebar grips and plugs.

⚠ WARNING: Unprotected handlebar and corral ends may cause serious injury. Install an appropriate handlebar plug and grip.

Surly passenger accessories are compatible with all Surly cargo models that feature our Dummy Cargo Kit. Deck Pads are intended for passengers ages 5+ who are able to sit up unassisted, and who no longer require use of a child carrier.

Surly cargo bikes and frames, and Surly passenger accessories are designed to be used as a system. Complete bikes, frames, and passenger accessories are sold with two (2) rail collars. At a minimum, two (2) rail collars are required when using Surly Dummy Deck, rails, and bags, and when carrying passengers.

Bikes and frames are compatible with up to four (4) rail collars. If carrying passengers and using a deck, rails, or bags made by another company, then the use of four (4) rail collars is required. If you need additional rail collars contact your local bike shop.

Child passengers must use seat pads unless secured in a child carrier. Big Dummy bags or another compatible foot retention system must be installed for all passengers (Fig. 1).

If you are planning to carry a young child under the age of 5, the Thule Yepp Maxi seat must be used. Thule makes an adapter that allows their seat to mount onto our deck. No other child seat is endorsed by Surly for use with Surly Cargo bikes or the Surly Dummy Cargo Kit.

THULE CAUTIONS: Do not carry a child who is too young to sit comfortably and independently in the Yepp Maxi seat. (A pediatrician should be consulted before any child younger than one year is carried.)

Carrying any passenger or other cargo can significantly influence the way your Surly cargo bikes handles. After loading the bike, practice in a low-traffic area to familiarize yourself with how to turn, stop, and maneuver your bike with the additional load. For the most up-to-date compatibility/options, check surlybikes.com/safety.

Rail collar position can improve performance of your Surly cargo bike. Please consider the following:

- Using a stock bike in a non-passenger application or with an approved child seat—both collars in the rear position (A and B, Fig. 2)
- Stock bike with Surly passenger accessories and Surly Dummy Cargo system (deck, rails, and bags)—diagonal orientation is recommended, one collar in the front position (C) and one in the rear position (A) (Fig. 2)
- If using any other passenger accessory combination and/or cargo kit system, four (4) collars (A-D) are required (Fig. 2)

⚠ WARNING: Failure to follow any of these requirements may lead to instability, resulting in a crash and serious injury.

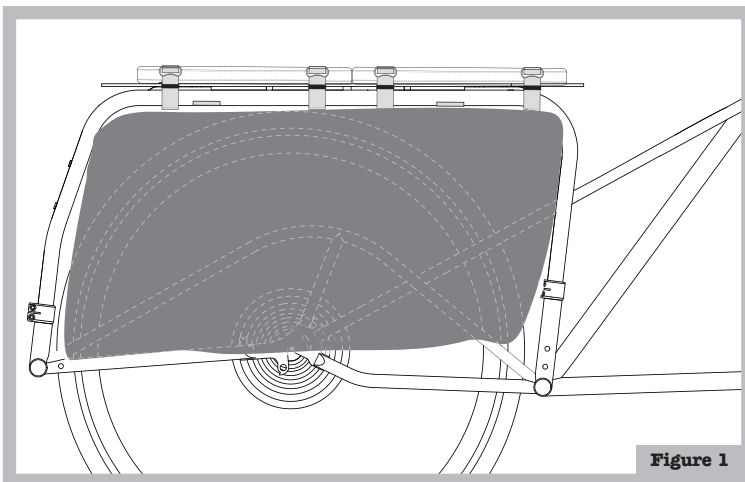


Figure 1

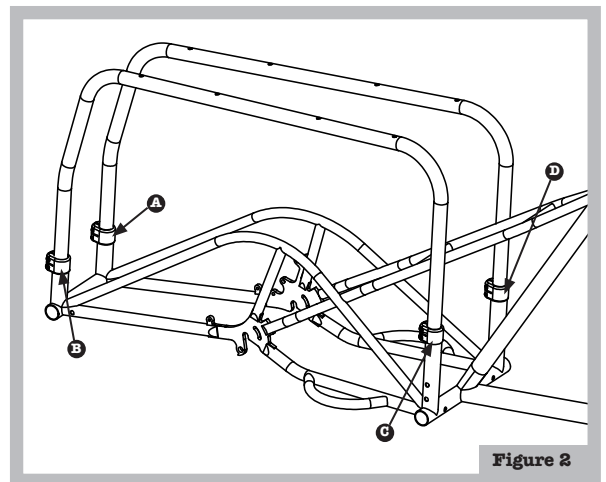


Figure 2

Included Parts for Kid Corral

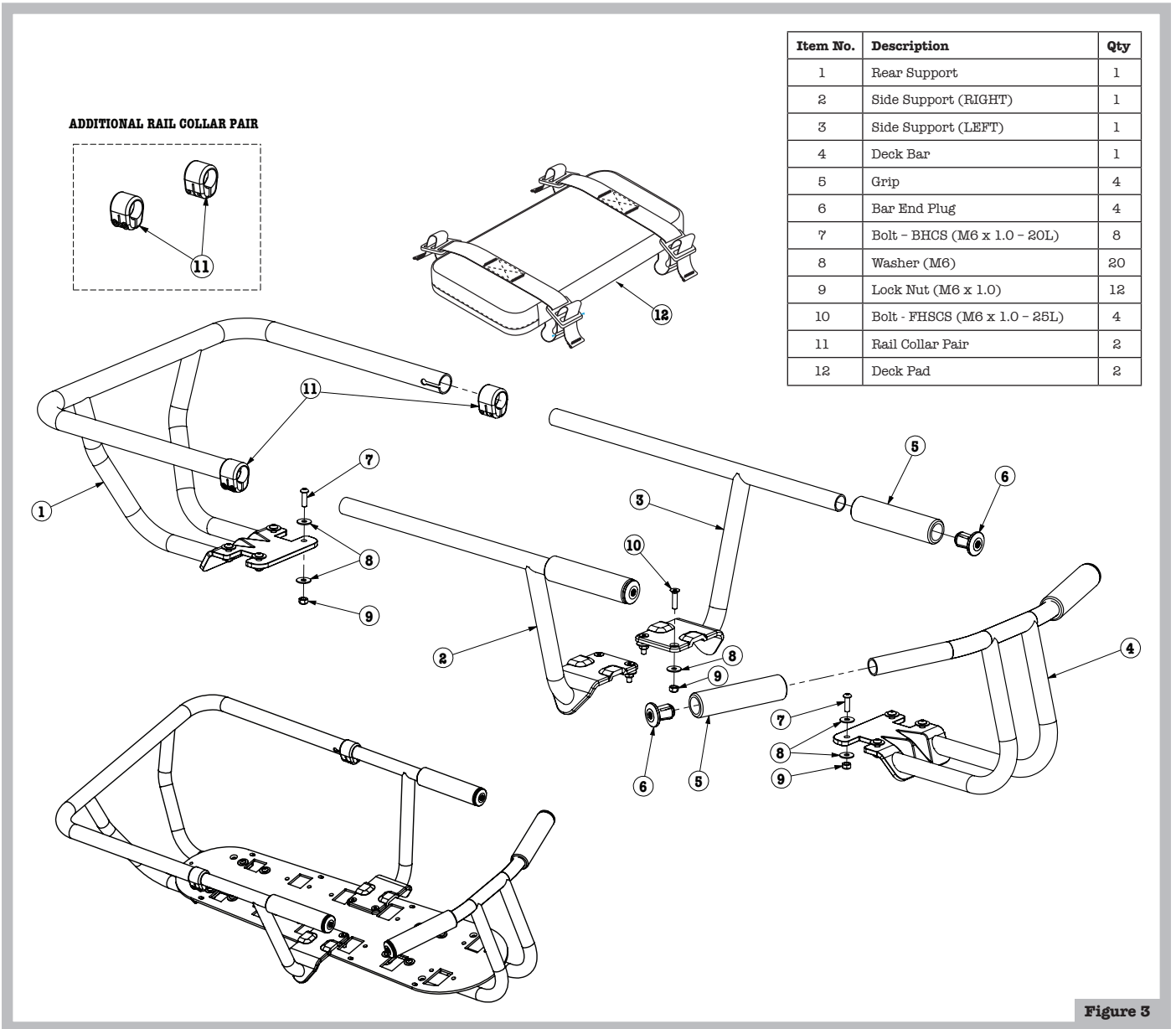


Figure 3

Included Parts for Deck Bar

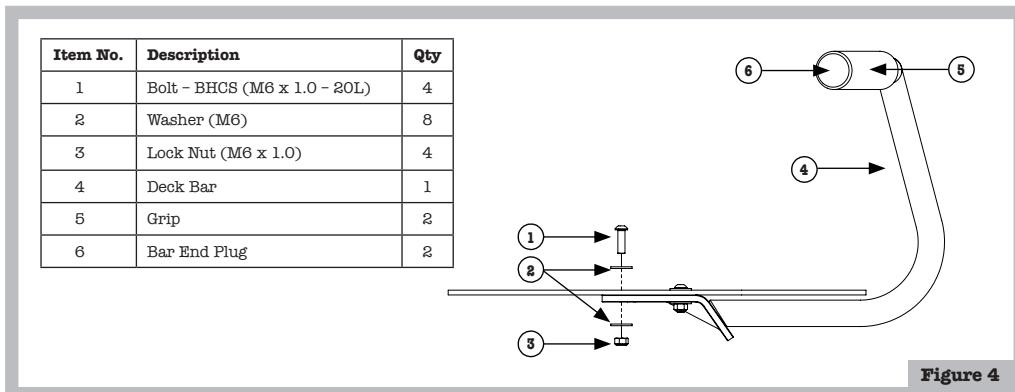


Figure 4

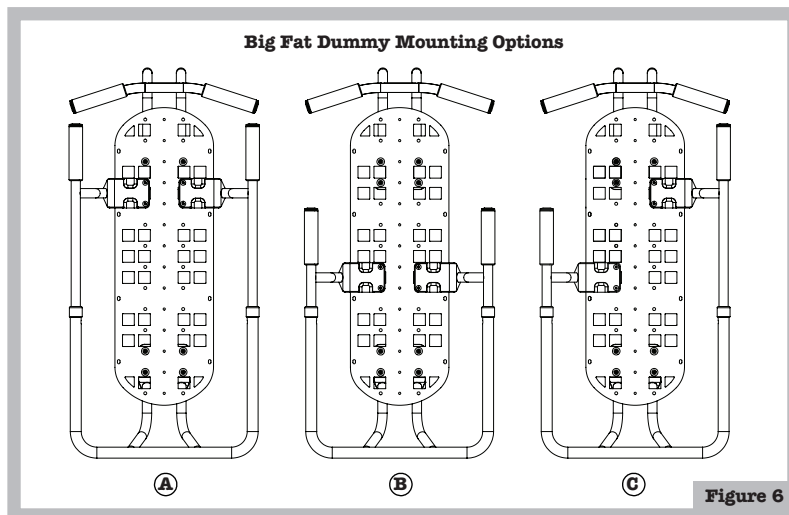
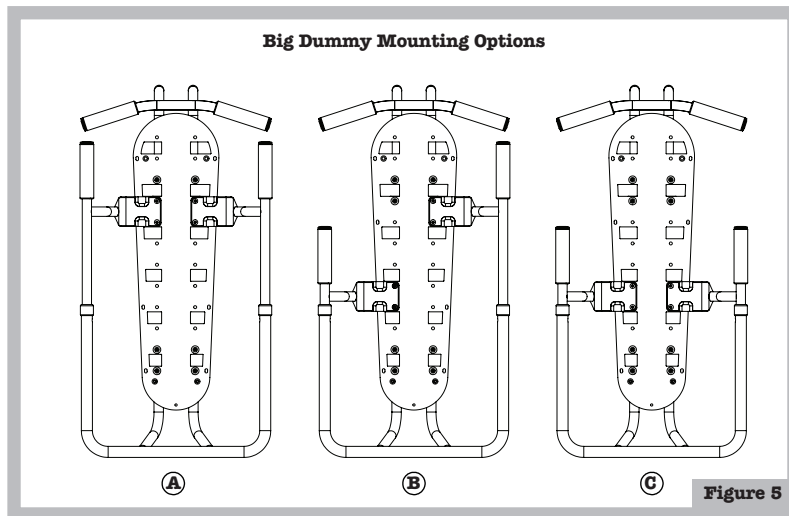
Installation

Deck Bar

- Determine which deck you are using and mount the bar with one of the options indicated in the images below.
NOTE: Frame size and geometry may limit the mounting position of your Deck Bar. Maintain at least 6mm of clearance between the Deck Bar and the operator, frame, saddle, or any other accessory mounted in front of the Deck Bar.
- Align the Deck Bar on the underside of your Dummy Deck with the appropriate holes for the mounting position, loosely assemble hardware (Fig. 4). Do not fully tighten yet.

Rear Support

- Align the rear support on the underside of the rear of your Dummy Deck with the appropriate holes for the rear-most position. See Fig. 5 for Big Dummy configurations or Fig. 6 for Big Fat Dummy configurations.
- Using a 5mm hex key and a 10mm wrench, tighten bolts most of the way, you will fully secure them later.



Side Supports

- Side supports can be mounted in several positions on the various Dummy Decks (Figs. 5, 6). We recommend starting in the fully closed position. Once the operator and passenger have become more experienced and comfortable with the system one of the “Open” positions may be used (Fig. 5-A or 6-A).

NOTE: On a Big Dummy-type deck any of the positions available between fully closed (5-A) and fully open (5-C) may be used, on either side. This means there are 5 settings available on each side. On the Big Fat Dummy Deck only, fully closed (6-A) or fully open (6-B) are recommended. This can be configured on either side (Fig. 6-C). Other positions could result in hardware interference on the Big Fat Dummy.

NOTE: For setup on either deck, the positions illustrated in the fully closed position (5-A and 6-A) represent the maximum extension of the Corral side supports. When setting up the Kid Corral the side support must be assembled so that the minimum insertion line is not visible and no gap is visible in the keyhole (Fig. 7).

⚠ WARNING: Failure to correctly assemble your Kid Corral may result in product failure and serious injury.



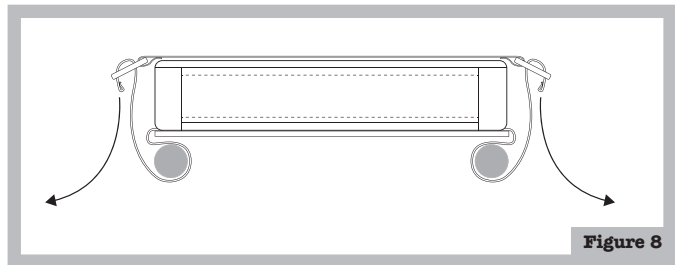
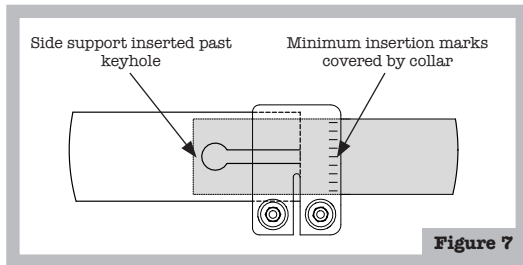
2. Slide the long end of the side supports into the rear portion of the corral.
3. Align the feet of the side support on the topside of your Dummy Deck with the appropriate holes for your desired mounting position (Figs. 5-A through 5-C or Fig. 6-A, 6-B, or 6-C).
4. In the fully closed position, the feet will overlap with the Deck Bar bracket on the underside of the deck. Use two sets of bolts (from the side support feet) to pass through both front feet and the deck bar bracket.
5. Using a 4mm hex key and a 10mm wrench, secure the bolts of the feet to 5 Nm.
6. After feet are secured, tighten the rail collar bolts to 5 Nm.
7. Using a 5mm hex key and a 10mm wrench tighten the Deck Bar bracket and rear support bracket to 5 Nm.

⚠ WARNING: Improperly installed collars may create a pinch point, causing serious injury to the passenger. Rail Collars must be correctly installed and fully cover the joined area of the telescoping tubing (Fig. 7).

NOTE: Make sure that the telescoping side support tube is fully inserted into the rear support bracket as indicated by the keyhole. No gap should be visible (Fig. 7).

Deck Pad

1. With the gripped side facing down, place the Deck Pad on top of your Dummy Deck.
2. Thread the webbing straps of the Deck Pad between the Dummy Rails and the Dummy Deck.
3. Thread the end of each strap through the buckle and cinch it tight (Fig. 8).
4. Secure excess strap through the elastic band.



Ongoing Maintenance

Deck Pads: Remove covers and spot clean with warm water and mild soap. Do not use detergent, bleach, or other harsh chemicals. Air dry covers and pads completely before installation.

Periodically check to make sure Deck Bar bolts and grips are properly installed and tight. Re-tighten bolts using a torque wrench if required. Replace grips if handlebar edges are visible.

⚠ WARNING: Unprotected handlebar ends may cause serious injury. Always use with handlebar plugs and grips in place.

Always use genuine Surly replacement parts for hardware and accessories.

Limited Warranty

This Surly product is warranted against defects in materials and workmanship for one year from the date of retail purchase of the product, subject to the limitations detailed below. Save your dated receipt for proof of purchase.

This warranty does NOT cover the following:

- Damage due to improper assembly or follow-up maintenance or lack of skill, competence or experience of the user or assembler
- Products that have been modified, neglected, used in competition or for commercial purposes, misused or abused, involved in accidents or anything other than normal use
- Installation of components, parts or accessories not originally intended for or compatible with Surly product as sold
- Damage or deterioration to the paint, surface finish, aesthetics or appearance of the product
- Normal wear and tear
- Labor required to remove and/or refit and re-adjust the product within the bicycle assembly

This limited warranty is expressly limited to the repair or replacement of a defective product, at the option of Surly, and is the sole remedy of the warranty. This limited warranty applies only to the original purchaser of the Surly product and is not transferable. This warranty applies only to products purchased through an authorized dealer or distributor. In no event shall Surly be liable for any loss, inconvenience or damage, whether direct, incidental, consequential, or otherwise resulting from breach of any express or implied warranty or condition, of merchantability, fitness for a particular purpose, or otherwise with respect to our products except as set forth herein.

This limited warranty gives the consumer specific legal rights, and those rights and other rights may vary from place to place.

This limited warranty does not affect your statutory rights.

Warranty Process

We will happily back up our products if there is a problem that is our fault. If you and your shop think your Surly product is worthy of a warranty inspection, please return the product to the original place of purchase, accompanied by a sales receipt.

TO THE EXTENT NOT PROHIBITED BY LAW, THESE WARRANTIES ARE EXCLUSIVE AND THERE ARE NO OTHER EXPRESS OR IMPLIED WARRANTIES OR CONDITIONS INCLUDING WARRANTIES OR CONDITIONS OF MERCHANTABILITY AND FITNESS FOR A PARTICULAR PURPOSE.

Instruction pour le Kid Corral et Deck Bar (corral et cintre de plateau pour enfants)

Bonjour, Nous vous remercions pour l'achat de ce produit Surly avec l'argent que vous avez durement gagné. Les produits Surly sont conçus pour être utiles et durables. Nous savons que vous en profiterez bien pour les années à venir.

Ce document explique comment installer correctement votre nouveau Kid Corral et Deck Bar de Surly. Si cette installation vous pose un problème, veuillez-vous rendre à votre boutique de vélos pour qu'elle puisse vous l'installer correctement. Si vous ne disposez pas des outils et/ou de l'expérience nécessaires pour installer ce produit, vous pourriez endommager votre vélo ou blesser vous-même ou votre passager. Faites preuve d'intelligence. Faites ce qu'il faut.

Le vélo doit être piloté par un adulte qui doit toujours garder le contrôle du système. En tant que responsable légal, vous êtes responsable de la sécurité des enfants mineurs, des adultes vulnérables ou des autres passagers dont vous avez la charge. Cette responsabilité comprend la vérification que le système Kid Corral et le vélo sont correctement assemblés, en bon état de fonctionnement et qu'ils sont entretenus et réparés correctement. Il est de votre responsabilité de vous assurer que les passagers adoptent un comportement de passager approprié. Examinez les points de happement et autres dangers avec les passagers avant de faire du vélo. Assurez-vous que les passagers portent un casque, des vêtements et des chaussures appropriés. Les vêtements peuvent également se coincer dans les pièces mobiles. Ne laissez pas les passagers porter de vêtements amples, notamment des écharpes, foulards, boas, capes ou autres vêtements amples, ou des vêtements de jeu quand vous faites du vélo. Vous devez être en bonne forme physique et avoir confiance en votre capacité de piloter et de stabiliser le vélo. Il vous incombe de veiller au respect des lois locales sur la circulation des véhicules motorisés et des vélos. Lisez ces instructions et revoyez tous les avertissements et fonctions avant toute sortie en vélo.

⚠️ AVERTISSEMENT :

- **Assurez-vous que le passager comprend que les casques de vélo sont réservés au cyclisme et ne doivent pas être portés en dehors du cyclisme. Le casque ne doit pas être porté dans les aires et terrains de jeux, pour l'escalade d'arbres ou lors de toute activité autre que le vélo. Le non-respect de cet avertissement peut entraîner des blessures graves. Les passagers et les pilotes doivent toujours porter un casque de vélo certifié CPSC.**
- **Le cyclisme peut être dangereux. Les pièces pour vélo doivent être montées et réparées par un mécanicien professionnel. Ne modifiez jamais votre vélo ou vos accessoires. Lisez et suivez tous les avertissements et modes d'emploi des produits, y compris les renseignements sur le site Web du fabricant. Inspectez votre vélo avant chaque sortie. Portez toujours un casque.**
- **La Deck Bar doit être montée orientée vers l'avant seulement. Ne le montez pas sur l'arrière du plateau. Les passagers faisant face vers l'arrière peuvent s'emmêler ou se coincer dans la roue arrière et être gravement blessés. Toute interférence avec la roue arrière peut provoquer un accident et des blessures à d'autres passagers ou le pilote. Les passagers doivent toujours faire face vers l'avant.**
- **Des sangles ou un coussin de siège desserré peuvent s'emmêler dans la roue ou la transmission et entraîner un accident et des blessures graves. Assurez-vous que les sangles du coussin de siège sont bien fixées, que le coussin est bien attaché et qu'il couvre tous les trous du plateau. Vérifiez la sécurité du système avant chaque sortie.**
- **Ne laissez pas le corps, les vêtements, les lacets de chaussures ou les jouets du passager entrer en contact avec les pièces mobiles du vélo. Le contact avec des pièces mobiles peut entraîner un happement ou enchevêtrement, ce qui peut provoquer de graves blessures aux passagers. Toute interférence avec des pièces mobiles peut provoquer un accident et des blessures à d'autres passagers ou le pilote. Assurez-vous que le système de maintien des pieds est en place.**
- **Le chargement de marchandises sur le Kid Corral peut entraîner une défaillance du produit et des blessures au pilote ou aux passagers, ainsi que des dommages aux biens personnels. Ne chargez jamais de charge sur les montants du corral.**
- **Ne soulevez jamais un vélo cargo long avec chargement à l'arrière quand des passagers ou des marchandises sont chargés. Cela pourrait provoquer un accident et blesser les passagers et le pilote, ou endommager des biens personnels. Déchargez tous les passagers et les marchandises, puis soulevez le vélo à plusieurs en le prenant sous le plateau si nécessaire.**

⚠️ **ATTENTION : les passagers doivent être capables de se tenir la tête droite quand ils portent un casque pour faire du vélo. Un médecin doit évaluer tout cycliste pour qui l'âge ou la capacité de développement peut être mis en doute.**

Pour plus de renseignements de sécurité sur tous les produits Surly, rendez-vous sur surlybikes.com/safety

Usage prévu

Le Kid Corral et Deck Bar de Surly sont compatibles avec les modèles Surly Cargo. Les accessoires pour passagers Surly sont compatibles avec tous les modèles de vélos cargos Surly qui sont équipés de notre trousse Dummy Cargo.

Le Kid Corral et Deck Bar de Surly sont conçus pour une utilisation conforme aux directives de la Condition 2 de l'ASTM :



Condition 2—Il s'agit d'un ensemble de conditions pour l'utilisation d'un vélo qui comprend la Condition 1 ainsi que les routes et chemins non asphaltés en gravier en pente modérée. Dans de telles conditions, il arrive qu'il y ait contact avec un terrain irrégulier et perte de contact des pneus avec le sol. Les dénivellations prévues sont limitées à 15 cm (6") ou moins.

Vérifiez les limites de poids maximum du vélo pour le chargement et les passagers avant de rouler.

Les accessoires pour passagers Surly (Kid Corral, Deck Bar et Deck Pad) font partie d'un système modulaire qui peut être ajusté et configuré, ainsi qu'être compatible avec certaines options du marché secondaire pour les passagers. Il est possible de régler le système en fonction de vos besoins et de l'expérience de vos passagers.

Le système Kid Corral convient pour 1 ou 2 passagers, y compris les enfants plus âgés qui ne nécessitent pas l'utilisation d'un siège pour enfant. Le siège Yepp Maxi de Thule est compatible avec le système Kid Corral et peut être acheté séparément. Le siège Yepp Maxi de Thule ne doit être utilisé avec le Kid Corral qu'en position « complètement fermée », reportez-vous aux images de la configuration du corral.

Le Kid Corral peut être configuré en plusieurs configurations « ouvertes ». En configuration « ouverte », les supports latéraux et le support de montage du Kid Corral interfèrent avec la quincaillerie du siège Yepp Maxi de Thule. N'essayez pas de monter un siège Yepp Maxi avec les configurations « ouvertes ».

Usage prévu

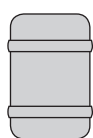
Les configurations « ouvertes » ne conviennent qu'à un pilote expérimenté et aux passagers ou enfants plus âgés qui n'ont pas besoin d'utiliser un siège pour enfant. Nous recommandons de commencer en position complètement fermée. Une fois que le pilote et le passager ont acquis plus d'expérience et sont plus à l'aise avec le système, il est alors possible d'utiliser une des positions « ouvertes ».

Si vous n'utilisez que la Deck Bar, vous pouvez utiliser 1 ou 2 coussins de plateau Deck Pad en fonction du nombre de passagers. Les passagers doivent toujours être assis sur un coussin de plateau. Une configuration supplémentaire consiste à utiliser la Deck Bar, 1 coussin de plateau et un siège enfant monté en position de passager arrière. Cela s'avère pratique si vous avez un passager qui a besoin d'une conduite plus sécuritaire et un passager plus âgé et plus expérimenté qui n'a pas besoin de sécurité supplémentaire. Cette configuration est recommandée pour les pilotes et les passagers plus expérimentés.

Lors de l'ajout simultané de marchandises et de passagers, assurez-vous que la cargaison est solidement attachée et qu'aucune partie du passager n'entrera en contact avec la roue, la transmission ou les composants de freinage.

⚠ AVERTISSEMENT : pour éviter le renversement et les blessures possibles des passagers, le pilote doit faire attention au vélo et maintenir le contact avec ce dernier pendant le chargement des passagers et des marchandises et tant que les passagers sont assis sur le vélo.

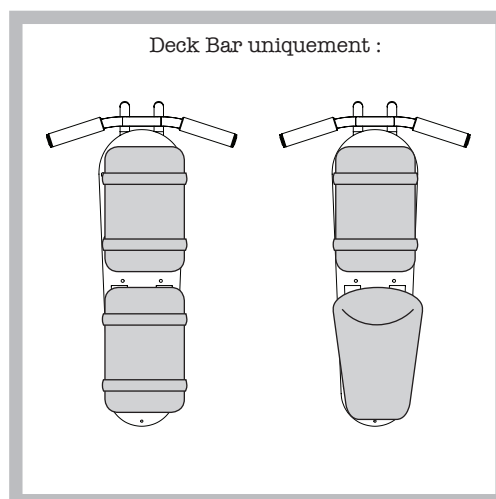
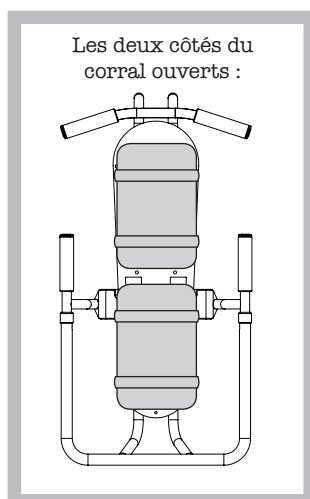
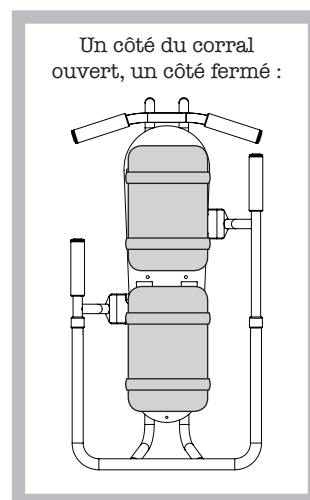
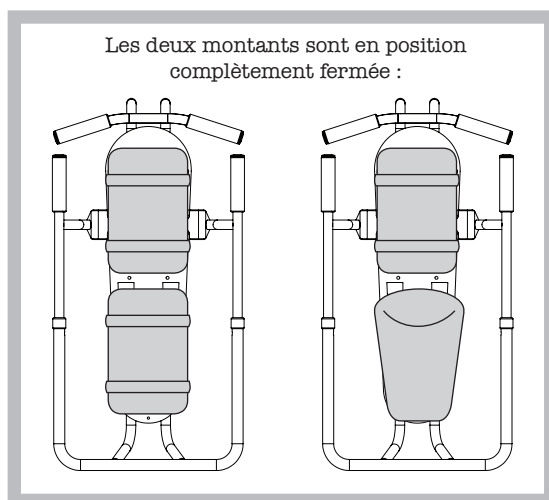
Configurations du corral



Enfant assis sur le coussin de plateau



Enfant dans le siège Yepp Maxi de Thule



Outils nécessaires à l'installation

Outils pour le Kid Corral

Clé hexagonale de 4 mm, 5 mm
Clé de 10 mm
Clé dynamométrique

Outils pour la Deck Bar

Clé hexagonale de 5 mm
Clé de 10 mm
Clé dynamométrique

Compatibilité

Le Kid Corral et Deck Bar grandissent avec votre famille et s'adaptent à vos besoins. Au fur et à mesure que vous et votre famille acquerez de l'expérience, vous pourrez ajuster un ou les deux montants latéraux.

⚠ AVERTISSEMENT : ne réglez jamais le Kid Corral ou Deck Bar avec des passagers sur le plateau. Déchargez les passagers et les marchandises avant d'effectuer tout ajustement au Kid Corral, Deck Bar ou plateau et sacoches Big Dummy. Une telle tentative peut entraîner une chute ou un renversement et causer des blessures graves au pilote ou aux passagers.

La Deck Bar et le Corral sont compatibles avec les poignées et bouchons de cintre standard de $\varnothing 22,2$ mm.

⚠ AVERTISSEMENT : des extrémités de cintre et de corral non protégées peuvent provoquer des blessures graves. Posez un bouchon et une poignée de cintre appropriés.

Les accessoires pour passagers Surly sont compatibles avec tous les modèles de vélos cargos Surly qui sont équipés de notre trousse Dummy Cargo. Les coussins de plateau sont destinés aux passagers de 5 ans et plus qui peuvent s'asseoir sans aide et qui n'ont plus besoin d'utiliser un siège pour enfant.

Les vélos cargos et cadres de Surly et les accessoires pour passagers Surly sont conçus pour être utilisés comme un système. Les vélos complets, les cadres et les accessoires pour passagers sont vendus avec deux (2) colliers de montants. Au moins deux (2) colliers de montants sont requis pour l'utilisation du plateau, des montants et des sacoches Surly Dummy Deck et lors du transport de passagers.

Les vélos et les cadres sont compatibles avec jusqu'à quatre (4) colliers de montants. Si vous transportez des passagers et utilisez un porte-bagage, des montants ou des sacs fabriqués par une autre société, alors l'utilisation de quatre (4) colliers de montants est requise. Veuillez contacter votre boutique de vélos locale si vous avez besoin de colliers de montants supplémentaires.

Les enfants passagers doivent utiliser des coussins de siège à moins qu'ils ne soient attachés dans un siège pour enfant. Des sacoches Big Dummy ou un autre système compatible de maintien des pieds doivent être installés pour tous les passagers (Figure 1).

Si vous envisagez de transporter un jeune enfant de moins de 5 ans, utilisez le siège Yepp Maxi de Thule. Thule fabrique un adaptateur qui permet de fixer son siège sur notre porte-bagages. Aucun autre siège pour enfant n'est approuvé par Surly pour une utilisation avec les vélos cargos Surly ou avec la trousse Dummy Cargo de Surly.

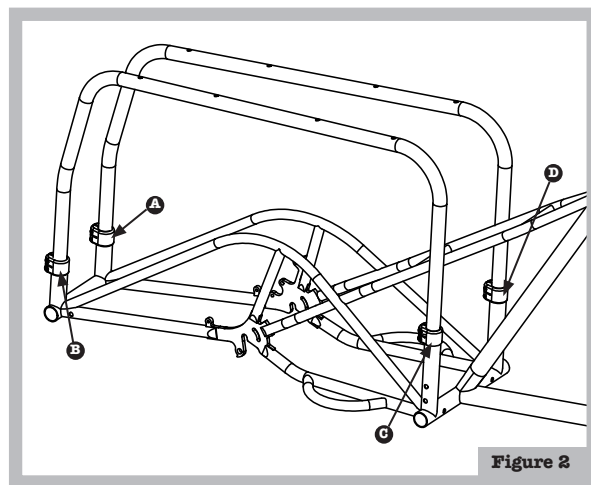
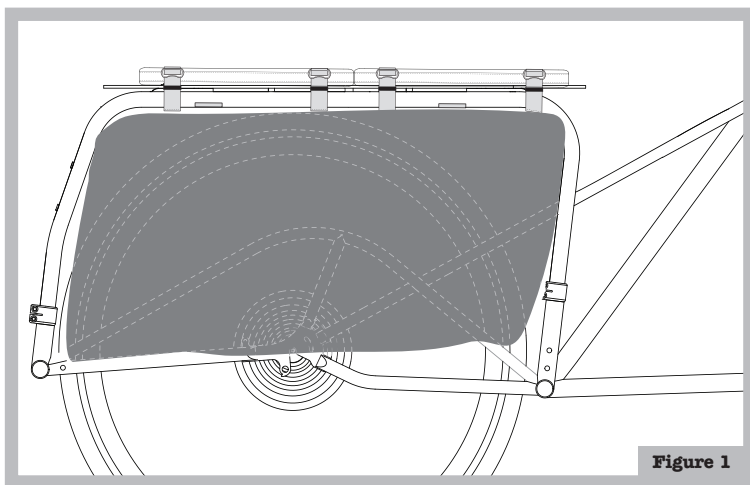
AVERTISSEMENTS DE THULE : ne transportez pas un enfant trop petit pour s'asseoir confortablement et sans aide dans le siège Yepp Maxi. (Consultez un pédiatre avant de transporter un enfant de moins d'un an.)

Le transport d'un passager ou d'un autre chargement peut avoir une influence significative sur la maniabilité de votre vélo cargo Surly. Après avoir chargé le vélo, exercez-vous dans un endroit peu fréquenté pour vous familiariser avec la façon de tourner, d'arrêter et de manœuvrer votre vélo avec la charge supplémentaire. Pour connaître les compatibilités/options les plus récentes, consultez le site surlybikes.com/safety.

La position des colliers de montants peut améliorer les performances de votre vélo cargo Surly. Veuillez tenir compte de ce qui suit :

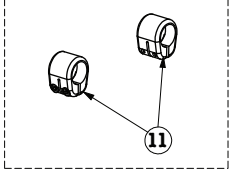
- Utilisation d'un vélo de série dans une application sans passager ou avec un siège pour enfant homologué, les deux colliers étant en position arrière (A et B, Figure 2).
- Vélo de série avec accessoires pour passager de Surly et système de chargement Dummy de Surly (plateau, montants et sacoches)—orientation diagonale recommandée, un collier en position avant (C) et un collier en position arrière (A) (Figure 2).
- En cas d'utilisation d'une autre combinaison d'accessoires pour passager et/ou d'un système de chargement, quatre (4) colliers (A-D) sont nécessaires (Figure 2).

⚠ AVERTISSEMENT : le non-respect de l'une ou l'autre de ces exigences peut entraîner une instabilité et occasionner un accident et des blessures graves.



Pièces incluses avec le Kid Corral

PAIRE SUPPLÉMENTAIRE DE
COLLIERS DE MONTANTS



N° d'article	Description	Qté
1	Support arrière	1
2	Support latéral (DROITE)	1
3	Support latéral (GAUCHE)	1
4	Deck Bar	1
5	Poignée	4
6	Bouchon d'extrémité de cintre	4
7	Vis à tête creuse ronde (M6 x 1,0 - 20L)	8
8	Rondelle (M6)	20
9	Écrou de blocage (M6 x 1,0)	12
10	Vis à tête creuse plate (M6 x 1,0 - 25L)	4
11	Paire de colliers de montants	2
12	Coussin de plateau	2

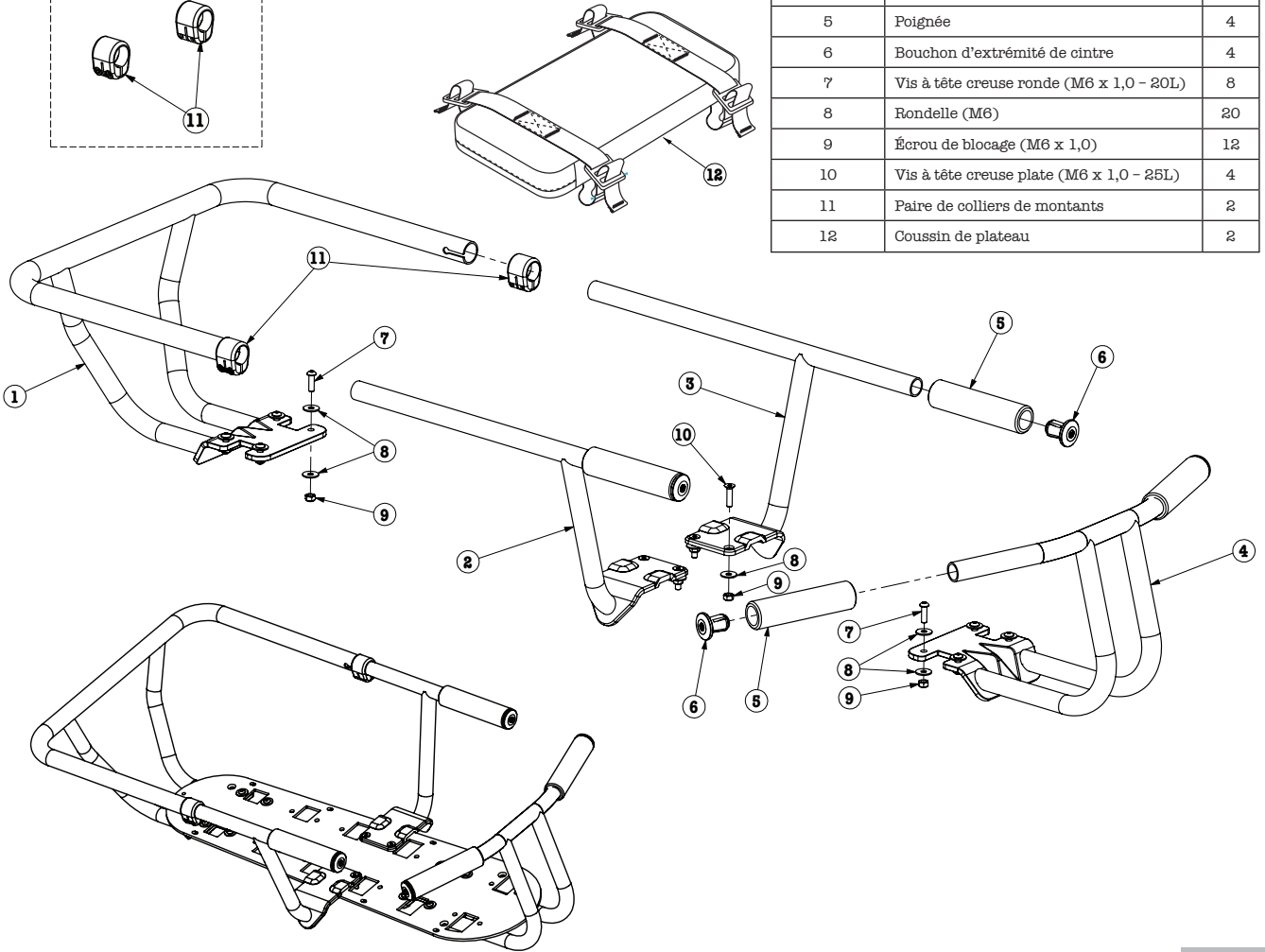


Figure 3

Pièces incluses avec la Deck Bar

N° d'article	Description	Qté
1	Vis à tête creuse ronde (M6 x 1,0 - 20L)	4
2	Rondelle (M6)	8
3	Écrou de blocage (M6 x 1,0)	4
4	Deck Bar	1
5	Poignée	2
6	Bouchon d'extrémité de cintre	2

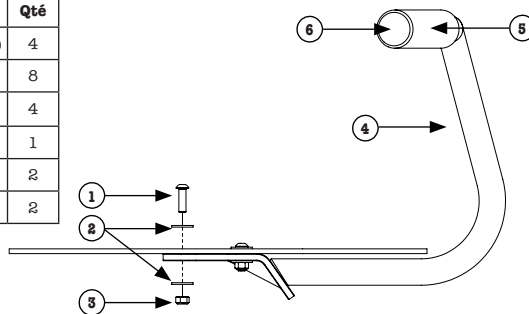


Figure 4

Installation

Deck Bar

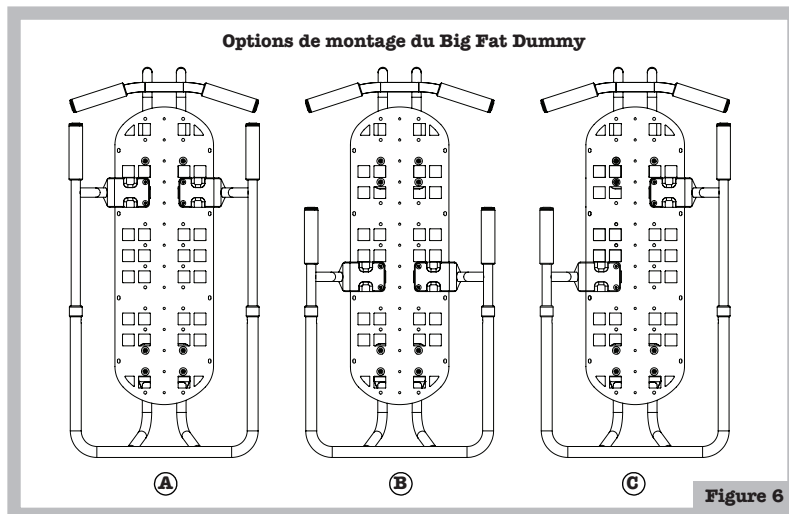
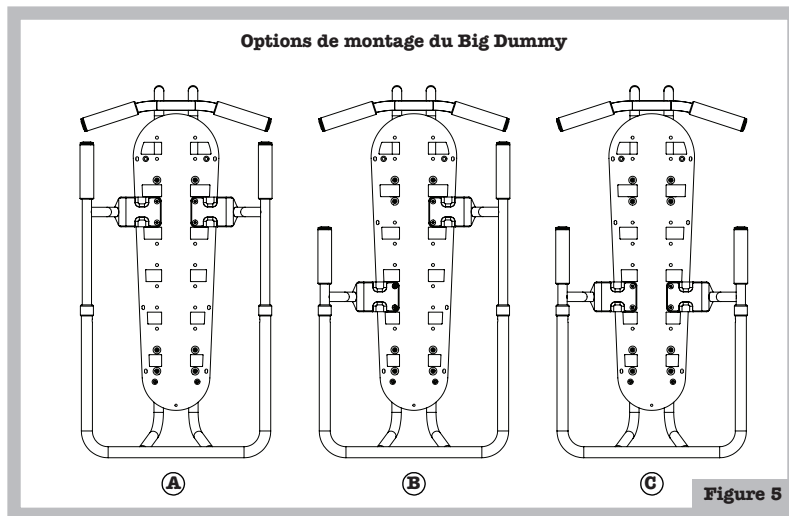
1. Déterminez le plateau utilisé et montez le cintre avec une des options indiquées dans les images ci-dessous.

REMARQUE : la taille et la géométrie du cadre peuvent limiter la position de montage de la Deck Bar. Maintenez un espace d'au moins 6 mm entre la Deck Bar et le pilote, le cadre, la selle ou tout autre accessoire monté devant la Deck Bar.

2. Alignez la Deck Bar sur le dessous du plateau Dummy, avec les trous appropriés pour la position de montage, assemblez la quincaillerie sans la serrer (Figure 4). Ne serrez pas à fond à ce stade.

Support arrière

1. Alignez le support arrière sur le dessous de l'arrière du plateau Dummy avec les trous appropriés pour la position la plus en arrière. Reportez-vous à la Figure 5 pour les configurations du Big Dummy ou à la Figure 6 pour les configurations du Big Fat Dummy.
2. À l'aide d'une clé hexagonale de 5 mm et d'une clé de 10 mm, serrez les vis sur presque toute leur course, elles seront serrées complètement plus tard.



Supports latéraux

1. Les supports latéraux peuvent être montés dans plusieurs positions sur les différents plateaux Dummy (Figures 5, 6). Nous recommandons de commencer en position complètement fermée. Une fois que le pilote et le passager ont acquis plus d'expérience et sont plus à l'aise avec le système, il est alors possible d'utiliser une des positions « ouvertes » (Figure 5-A ou 6-A).

REMARQUE : sur un plateau de type Big Dummy, n'importe laquelle des positions disponibles entre complètement fermée (5-A) et complètement ouverte (5-C) peut être utilisée de chaque côté. Cela signifie que 5 réglages sont disponibles de chaque côté. Sur le plateau Big Fat Dummy uniquement, les positions complètement fermée (6-A) ou complètement ouverte (6-B) sont recommandées. Elles peuvent être configurées des deux côtés (Figure 6-C). D'autres positions pourraient provoquer des interférences de la quincaillerie sur le Big Fat Dummy.

REMARQUE : pour l'installation sur un des plateaux, les positions illustrées de complètement fermée (5-A et 6-A) représentent l'extension maximale des supports latéraux du corral. Lors de la mise en place du Kid Corral, le support latéral doit être monté de manière à ce que la ligne d'insertion minimale ne soit pas visible et qu'aucun espace ne soit visible dans le trou de clé (Figure 7).

⚠ AVERTISSEMENT : un assemblage incorrect du Kid Corral peut entraîner une défaillance du produit et des blessures graves.

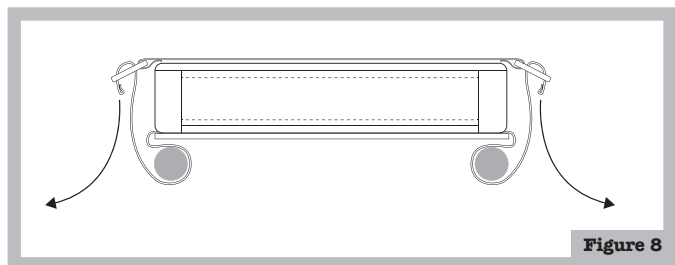
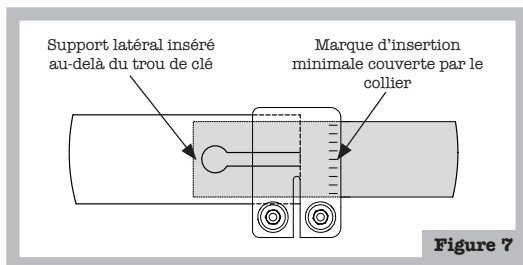
2. Faites coulisser l'extrémité longue des supports latéraux dans la partie arrière du corral.
3. Alignez les pieds du support latéral sur le dessus du plateau Dummy avec les trous appropriés à la position de montage souhaitée (Figures 5-A à 5-C ou Figures 6-A, 6-B, ou 6-C).
4. En position complètement fermée, les pieds chevaucheront avec le support de la Deck Bar sur le dessous du plateau. Placez deux jeux de vis (à partir des pieds des supports latéraux) dans les deux pieds avant et dans le support du cintre de plateau.
5. Serrez les vis des pieds à 5 Nm à l'aide d'une clé hexagonale de 4 mm et d'une clé de 10 mm.
6. Une fois les pieds fixés, serrez les vis des colliers des montants à 5 Nm.
7. Serrez le support de la Deck Bar et le support arrière à 5 Nm à l'aide d'une clé hexagonale de 5 mm et d'une clé de 10 mm.

⚠ AVERTISSEMENT : une mauvaise installation des colliers peut créer un point de pincement et entraîner des blessures graves pour le passager. Les colliers de montants doivent être correctement installés et recouvrir complètement la zone de jointure du tube télescopique (Figure 7).

REMARQUE : assurez-vous que le tube de support latéral télescopique est complètement inséré dans le support arrière, comme indiqué par le trou de clé. Aucun espace ne doit être visible (Figure 7).

Coussin de plateau

1. Le côté accroché étant vers le bas, placez le coussin de plateau sur le dessus du plateau Dummy.
2. Faites passer les sangles du coussin de plateau entre les montants Dummy et le plateau Dummy.
3. Faites passer l'extrémité de chaque sangle dans la boucle et serrez-la fermement (Figure 8).
4. Fixez l'excédent de sangle dans la bande élastique.



Entretien périodique

Coussins de plateau : retirez les housses et nettoyez les taches à l'eau tiède et au savon doux. N'utilisez pas de détergent, d'eau de Javel ou d'autres produits chimiques agressifs. Laissez sécher complètement les housses et les coussins à l'air libre avant de les installer.

Vérifiez périodiquement pour vous assurer que les vis et les poignées de la Deck Bar sont correctement installées et serrées. Resserrez les vis à l'aide d'une clé dynamométrique s'il le faut. Remplacez les poignées si les bords du cintre sont visibles.

⚠ AVERTISSEMENT : des extrémités de cintre non protégées peuvent provoquer des blessures graves. Utilisez toujours le cintre avec les bouchons et les poignées en place.

Utilisez toujours des pièces de rechange d'origine Surly pour la quincaillerie et les accessoires.

Garantie limitée

Ce produit Surly est garanti contre les défauts de matériaux et de fabrication pendant un an à compter de la date d'achat au détail du produit, sous réserve des limites décrites ci-dessous. Conservez votre facture datée en guise de preuve d'achat.

La présente garantie ne couvre PAS les éléments suivants :

- Les dommages causés par un mauvais assemblage, un mauvais entretien ou par le manque de compétences, d'aptitude ou d'expérience de l'utilisateur ou de l'assembleur.
- Les produits qui ont été modifiés, négligés, utilisés lors de compétitions ou à des fins commerciales, utilisés de façon incorrecte ou abusive, qui ont subi des accidents ou un traitement autre qu'une utilisation normale.
- L'installation de composants, de pièces ou d'accessoires non compatibles ou non prévus pour être ajoutés au produit Surly tel qu'il est vendu.
- Les dommages ou la détérioration de la peinture, du fini, de la qualité esthétique ou de l'apparence du produit.
- L'usure normale.
- La main-d'œuvre nécessaire pour retirer et/ou remonter et réajuster le produit sur le vélo.

Cette garantie limitée est expressément limitée à la réparation ou au remplacement d'un produit défectueux, à la discrétion de Surly, et constitue le seul recours en vertu de la garantie. Cette garantie limitée s'applique uniquement à l'acquéreur d'origine du produit Surly et n'est pas transférable. Cette garantie s'applique uniquement aux produits achetés auprès d'un vendeur ou d'un distributeur autorisé. En aucun cas Surly ne sera responsable de toute perte, tout désagrément ou tout dommage, qu'il soit direct, accidentel, consécutif ou qu'il résulte de tout autre manquement à toute condition ou garantie expresse ou implicite de qualité marchande, d'aptitude à un emploi précis ou autre des produits Surly, exception faite des conditions établies aux présentes.

Cette garantie limitée donne au consommateur des droits juridiques précis, et ces droits, ainsi que ses autres droits, peuvent varier selon son emplacement. Cette garantie limitée n'affecte pas vos droits prévus par la loi.

Processus de garantie

Nous nous ferons un plaisir de soutenir nos produits en cas de problème de notre faute. Si votre boutique et vous-même estimez que votre produit Surly mérite une inspection dans le cadre de la garantie, veuillez retourner le produit à l'endroit où il a été acheté. N'oubliez pas le reçu.

DANS LA MESURE OÙ LA LOI L'AUTORISE, LES PRÉSENTES GARANTIES SONT EXCLUSIVES ET IL N'EXISTE AUCUNE AUTRE GARANTIE OU CONDITION, EXPLICITE OU IMPLICITE, NOTAMMENT TOUTE GARANTIE OU CONDITION DE QUALITÉ MARCHANDE OU D'APTITUDE À UN EMPLOI SPÉCIFIQUE.