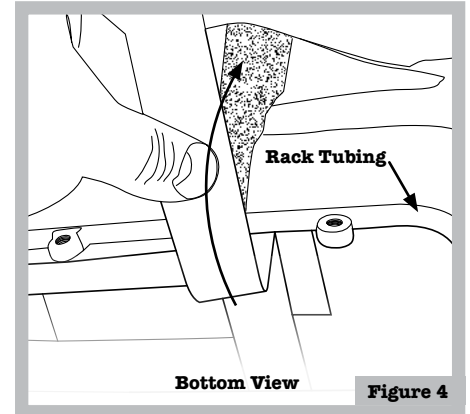
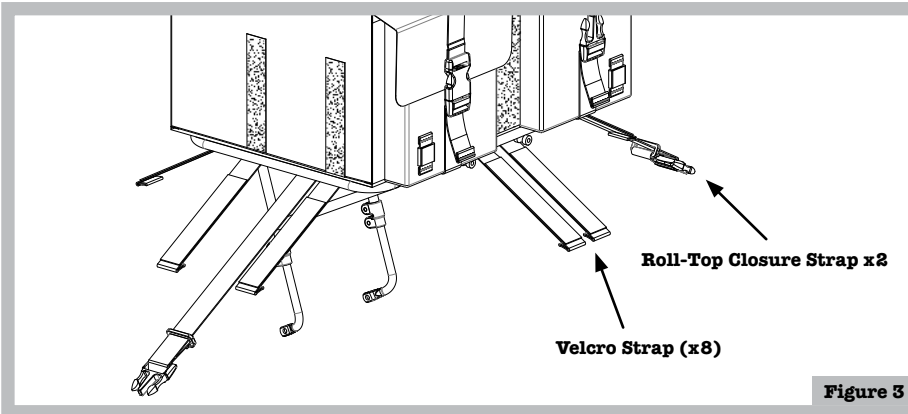


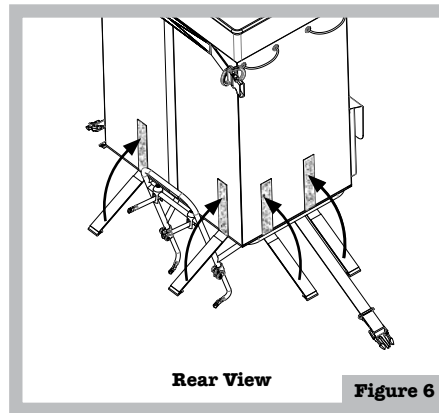
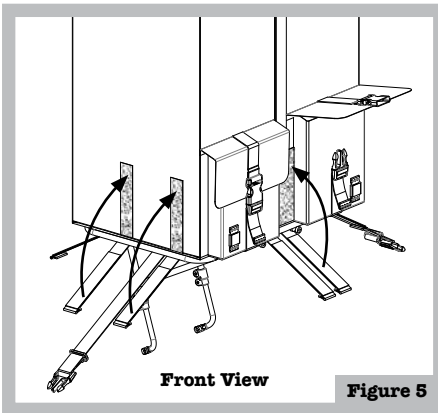
Installation of the Porteur House Bag

⚠WARNING: Secure all loose straps and cargo to avoid entanglement or damage to your product. Unsecured straps or cargo may cause a crash resulting in injury. The buckle should make a noticeable “click” when properly buckled. Pull on the closure straps to ensure that it is properly buckled.



1. With your bicycle securely standing upright, place the Porteur House Bag on top of the rack platform (Figure 3).

2. Secure Velcro straps around the rack platform tubes and back on to the bag, securing the bag to your rack (Figure 4). Use the roll-top closure straps as extra security by passing the buckles around the rack tubes before buckling the roll-top closure.



3. Attach each Velcro strap (Eight total, two on each side, two on back (Figure 5), two up front (Figure 6)).

Ongoing Maintenance

Periodically check your Porteur House Bag for any signs of excessive wear. Ensure that each strap on your Porteur House Bag is secured and does not interfere with any moving parts on your bicycle. Spot clean with warm, soapy water as needed.

Limited Warranty

This Surly product is warranted against defects in materials and workmanship for one year from the date of retail purchase of the product, subject to the limitations detailed below. Save your dated receipt for proof of purchase.

This warranty does NOT cover the following:

- Damage due to improper assembly or follow-up maintenance or lack of skill, competence or experience of the user or assembler
- Products that have been modified, neglected, used in competition or for commercial purposes, misused or abused, involved in accidents or anything other than normal use
- Installation of components, parts or accessories not originally intended for or compatible with Surly product as sold
- Damage or deterioration to the paint, surface finish, aesthetics or appearance of the product
- Normal wear and tear
- Labor required to remove and/or refit and re-adjust the product within the bicycle assembly

This limited warranty is expressly limited to the repair or replacement of a defective product, at the option of Surly, and is the sole remedy of the warranty. This limited warranty applies only to the original purchaser of the Surly product and is not transferable. This warranty applies only to products purchased through an authorized dealer or distributor. In no event shall Surly be liable for any loss, inconvenience or damage, whether direct, incidental, consequential, or otherwise resulting from breach of any express or implied warranty or condition, of merchantability, fitness for a particular purpose, or otherwise with respect to our products except as set forth herein.

This limited warranty gives the consumer specific legal rights, and those rights and other rights may vary from place to place. This limited warranty does not affect your statutory rights.

TO THE EXTENT NOT PROHIBITED BY LAW, THESE WARRANTIES ARE EXCLUSIVE AND THERE ARE NO OTHER EXPRESS OR IMPLIED WARRANTIES OR CONDITIONS INCLUDING WARRANTIES OR CONDITIONS OF MERCHANTABILITY AND FITNESS FOR A PARTICULAR PURPOSE.

OTHER PRODUCTS:

Give us a call for a free catalog or visit our website to check out all our stuff—you won't be disappointed.

Surly

6400 West 105th Street
Bloomington, MN 55438

The Watts Line: 877.743.3191

The Email: derby@surlybikes.com

The Web Address: surlybikes.com